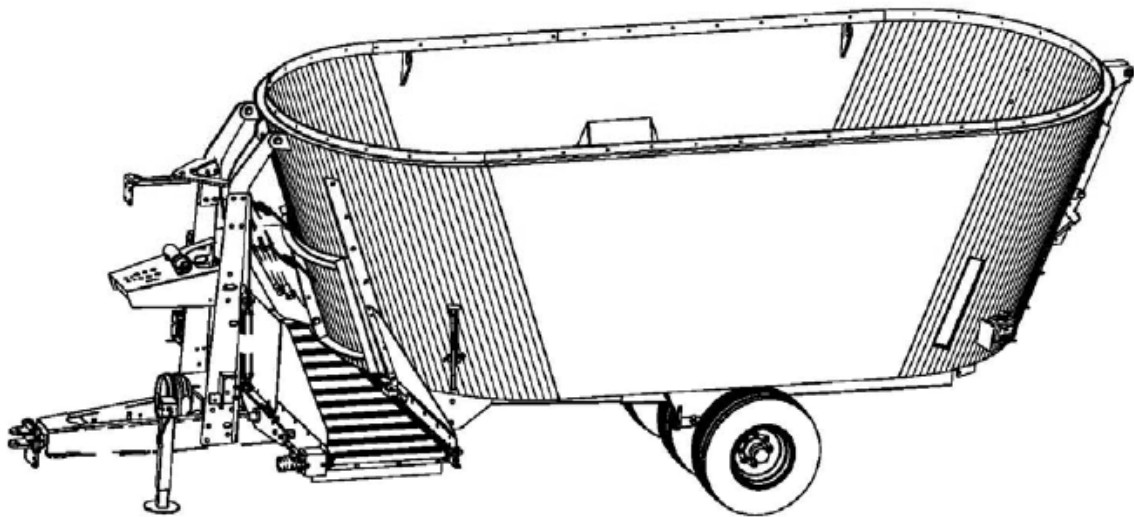


JAY•LOR[®] *BECAUSE
NUTRITION
MATTERS.*[™]

PARTS BOOK

4000 SERIES TWIN AUGER MODELS

4650 4750 4850 4990



"Because Nutrition Matters™"

TABLE OF CONTENTS

- A. INTRODUCTION**
- B. CONTACT INFORMATION**
- C. GENERAL INFORMATION**
- D. PART NUMBERING SYSTEM**
- E. SERIAL NUMBER LOCATION**
- F. 001 – DRUM PARTS**
- G. 002 – FRAME / HITCH PARTS**
- H. 003 – LADDER / PLATFORM PARTS**
- I. 004 – WHEEL / HUB / AXLE PARTS**
- J. 005 – AUGER PARTS**
- K. 006 – CONVEYOR PARTS**
- L. 007 – DRIVELINE / GEARBOX PARTS**
- M. 008 – LUBE SYSTEM PARTS**
- N. 009 – HYDRAULIC / PNEUMATIC PARTS**
- O. 010 – SCALE / LIGHTING PARTS**

A. INTRODUCTION

This Dealer Copy of the Parts Book contains common and general information applicable to the Jaylor Mixers. It has been carefully designed to ensure that correct and accurate information is portrayed in every area of a typical unit, enabling efficient and effective service to the end user of Jaylor's products.

The format of this book consists of a fundamental breakdown of components and assemblies according to the area in which they are located or function on the machine. Each area of section contains illustrative information regarding a part or an assembly, along with information such as part numbers and quantities included. For details and pricing information regarding parts and assemblies depicted in the illustrations please contact Jaylor. Our service personnel will be more than willing to assist you in obtaining information as it pertains to Jaylor's line of products. Information and pricing for non-stock and/or custom items will be quoted on request.

Note:

Parts and assemblies in this book may not be exactly as shown. Jaylor reserves the right to make any changes/revisions/amendments at any time as deemed necessary to ensure that correct information is provided.

B. CONTACT INFORMATION

Contact Jaylor at:



071213 10th Line
East Garafraxa, ON
Canada
L9W 6Z9

Phone: (519) 787-9353
Fax: (519) 787-7053
E-mail: jaylor@jaylor.com
On the web: www.jaylor.com

C. GENERAL INFORMATION

It is important to use extreme caution when performing any type of service to this equipment. General information regarding service procedures and intervals is covered in the Owner Manual provided with the new product. For more specific product service, please contact Jaylor to obtain Technical Service Bulletins that outline the procedures and requirements for such.

It is also important to ensure that only Jaylor genuine or approved parts are to be used where applicable. Mismatched or incorrect components can result in machine damage or malfunction, or possibly personal injury.

D. PART NUMBERING SYSTEM

Jaylor's part numbering system consists of eleven digits as shown below:

XXX-000-12345

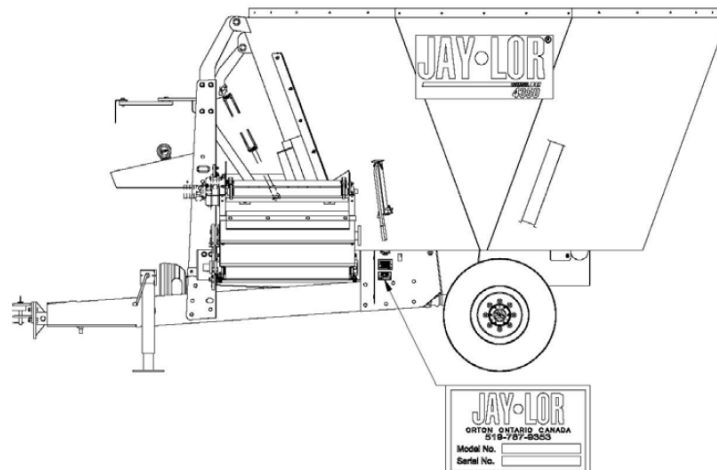
The first three digits are the **Product Group Code** (PGC), which consists of three alpha characters which will be referred to as (XXX). The next three numeric digits will be referred to as (000) and represent the **Product Code** (PC). The next five numeric digits represent the **Part Number** (PN) and are referred to as (12345).

The Product Code (PC) follows the following numbering convention:

| PC | Description |
|-----|-------------------------------|
| 000 | Universal Parts |
| 001 | Drum Parts |
| 002 | Frame/Hitch Parts |
| 003 | Ladder / Platform Parts |
| 004 | Wheel / Hub / Axle Parts |
| 005 | Auger Parts |
| 006 | Conveyor Parts |
| 007 | Driveline / Gearbox Parts |
| 008 | Lube System Parts |
| 009 | Hydraulic and Pneumatic Parts |
| 010 | Scale / Lighting Parts |

E. SERIAL NUMBER LOCATION

When ordering components for Jaylor products it is important to include the machine model and serial numbers if applicable. The serial number plate is located on the frame of the machine as indicated in the diagram below:



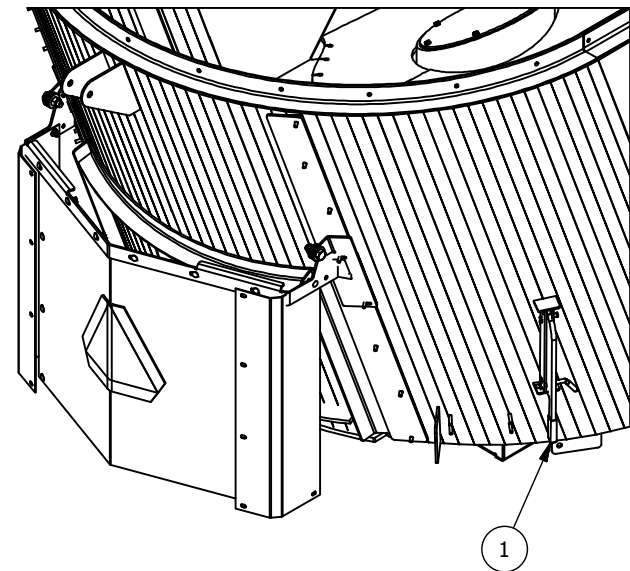
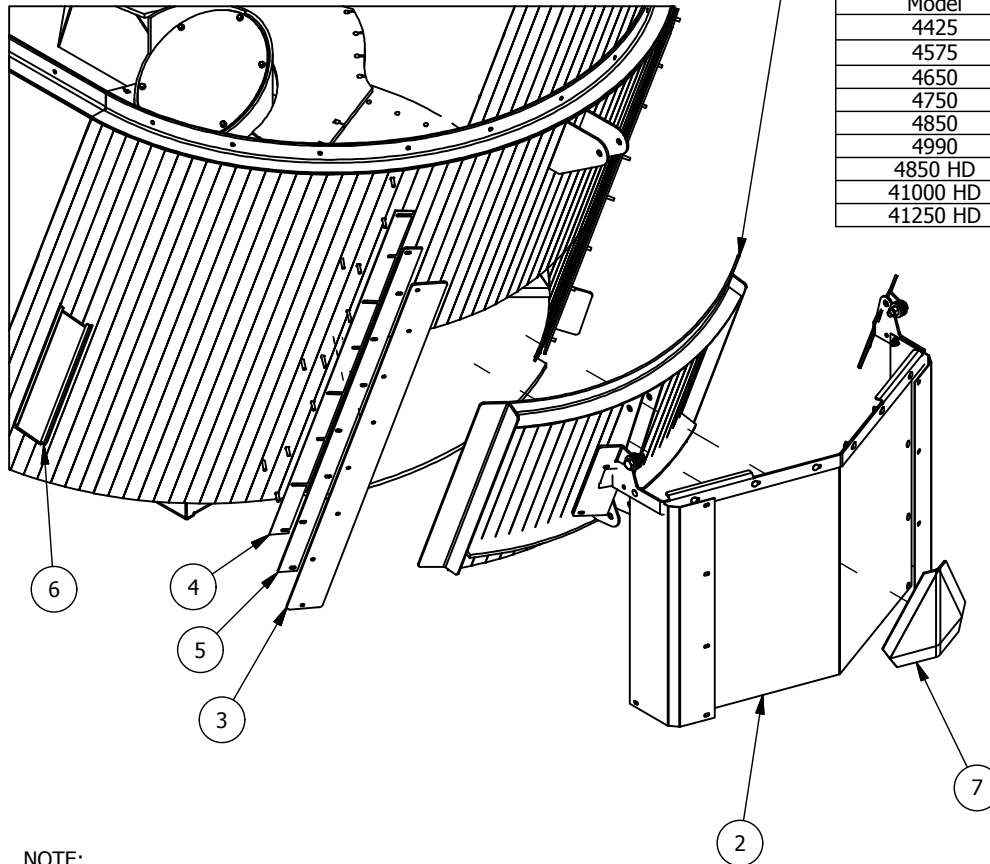
F. 001 – DRUM PARTS**Drawing Number Reference Chart:**

| Part | Model | | | |
|-------------------|---------------|------|------|------|
| | 4650 | 4750 | 4850 | 4990 |
| Rear Door Parts | AAA-054-00001 | | | |
| Front Door Parts | AAA-054-00014 | | | |
| Corner Door Parts | AAA-054-00015 | | | |
| Restrictor Blade | AAA-001-00149 | | | |
| Drum Extensions | AAA-054-00132 | | | |

Parts List

| ITE | PART NUMBER | TITLE | QTY |
|-----|---------------|-----------------------------|-----|
| 1 | AAA-001-00149 | RB ASSY | 1 |
| 2 | AAA-001-00831 | REAR DOOR SHIELD ASSY | 1 |
| 3 | AAA-001-00857 | OUTER DOOR TRACK 1/4T X 67H | 2 |
| 4 | AAA-001-00859 | INNER DOOR SPCR 1/8T X 67H | 2 |
| 5 | AAA-001-00860 | INNER DOOR SPCR 1/4T X 67H | 2 |
| 6 | AAB-001-00022 | WNDW VIEWING | 1 |
| 7 | AAB-012-00074 | DECAL SMV PLASTIC BOLT ON | 1 |

| Rear Door Part Numbers | |
|------------------------|---------------|
| Model | Part # |
| 4425 | AAA-001-00811 |
| 4575 | AAA-001-00515 |
| 4650 | AAA-001-00812 |
| 4750 | AAA-001-00812 |
| 4850 | AAA-001-00811 |
| 4990 | AAA-001-00811 |
| 4850 HD | AAA-001-01024 |
| 41000 HD | AAA-001-01026 |
| 41250 HD | AAA-001-01026 |



NOTE:

AAA-001-00859, AAA-001-00860 & AAA-001-00857
SPACERS AND OUTER DOOR TRACK RESPECTIVELY
ARE USED ON HD MODELS AS WELL

| | | | |
|-----|-----------|---|-----------------------------------|
| DR | GM | TOLERANCES (UNLESS SPECIFIED OTHERWISE) FRACTIONAL ± 1/16" DEC X.X ± 0.1" DEC X.XX ± 0.06" DEC X.XXX ± 0.031" ANGULAR ± 0.5° | JAY-LOR Fabricating Inc |
| DAT | 4/21/2011 | | |
| MAT | | | |

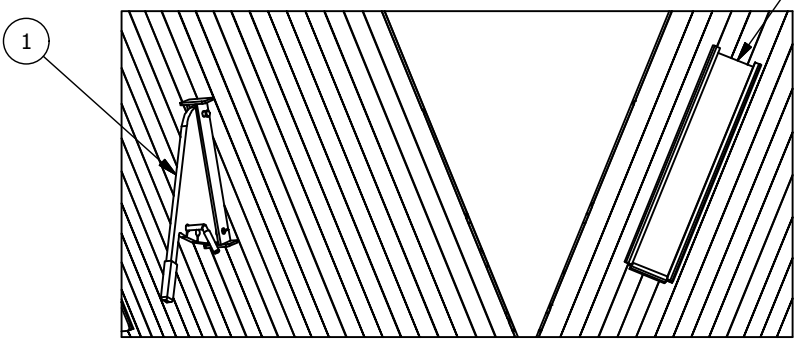
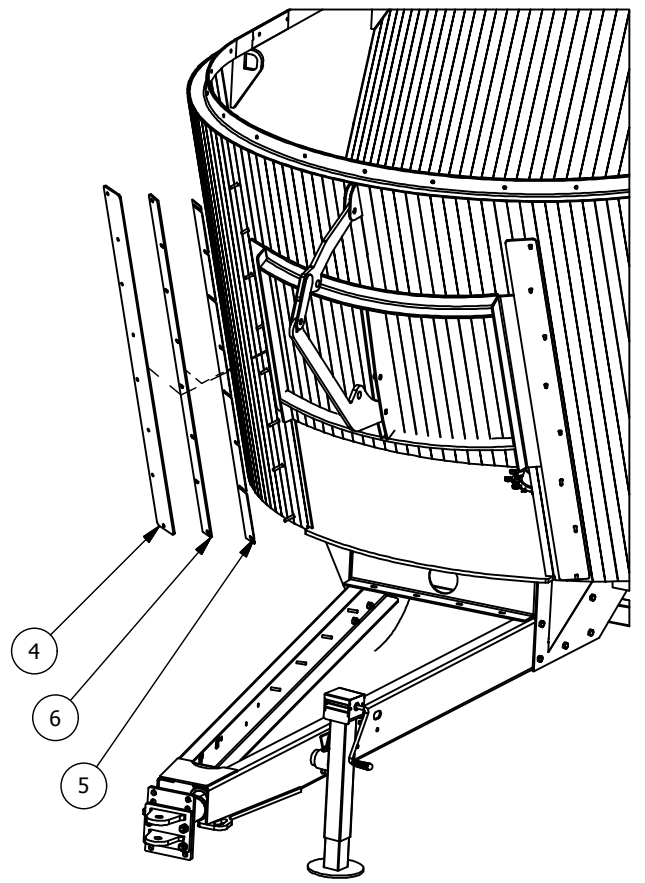
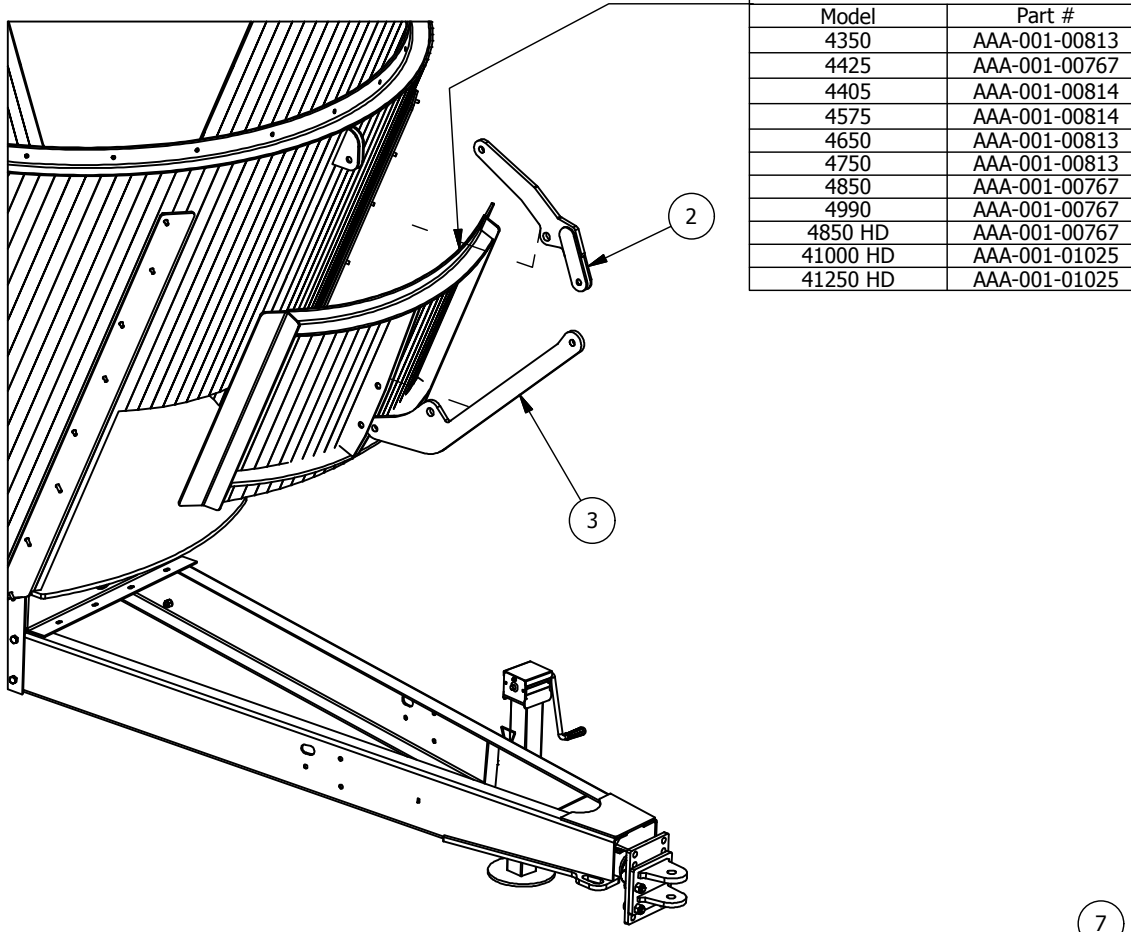
| | | | | | | | |
|-------|---------|--------------|----|------|-------------|----|----|
| UNITS | PAPER A | SHEET 1 OF 1 | R# | DATE | DESCRIPTION | DR | CK |
|-------|---------|--------------|----|------|-------------|----|----|

TITLE 4000 SERIES REAR DOOR PARTS FILE NO AAA-054-00001.idw

CONFIDENTIAL: THESE DRAWINGS AND COPIES THEREOF REMAIN THE PROPERTY OF JAY-LOR FABRICATING INC. ANY PERSON FOUND UNLAWFULLY USING, DISTRIBUTING, OR IN POSSESSION OF THE ABOVE WILL BE PROSECUTED

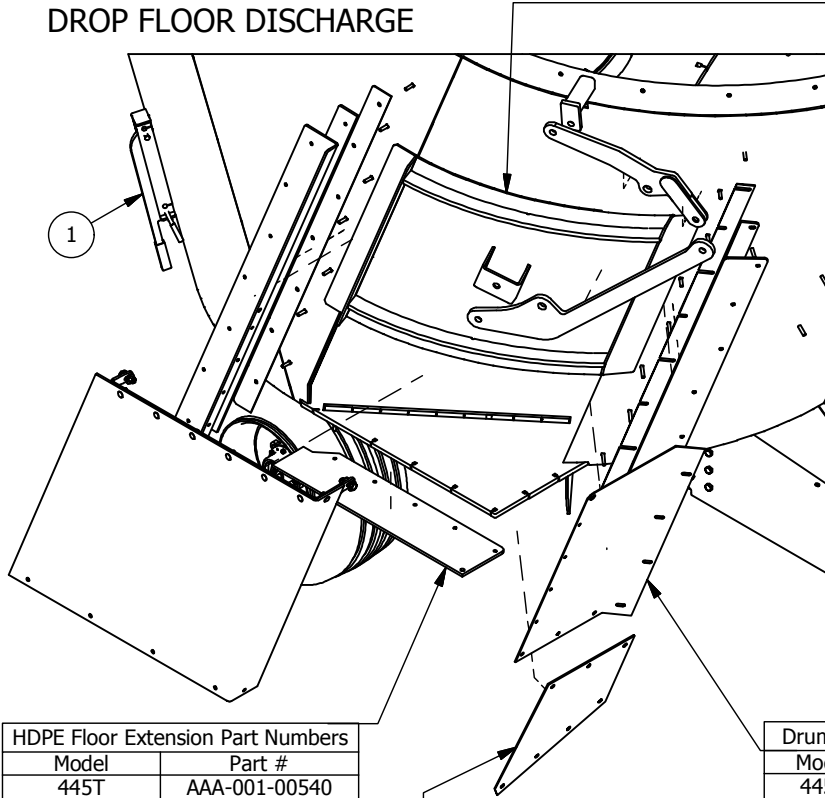
| Front Door Part Numbers | |
|-------------------------|---------------|
| Model | Part # |
| 4350 | AAA-001-00813 |
| 4425 | AAA-001-00767 |
| 4405 | AAA-001-00814 |
| 4575 | AAA-001-00814 |
| 4650 | AAA-001-00813 |
| 4750 | AAA-001-00813 |
| 4850 | AAA-001-00767 |
| 4990 | AAA-001-00767 |
| 4850 HD | AAA-001-00767 |
| 41000 HD | AAA-001-01025 |
| 41250 HD | AAA-001-01025 |

| Parts List | | | |
|------------|---------------|-----------------------------------|-----|
| ITEM | PART NUMBER | TITLE | QTY |
| 1 | AAA-001-00149 | RB ASSY | 1 |
| 2 | AAA-001-00536 | LWR ARM WELDMENT SINGLE CYDR HOLE | 1 |
| 3 | AAA-001-00737 | LONG DOOR ARM 5/8T | 1 |
| 4 | AAA-001-00857 | OUTER DOOR TRACK 1/4T X 67H | 2 |
| 5 | AAA-001-00859 | INNER DOOR SPCR 1/8T X 67H | 2 |
| 6 | AAA-001-00860 | INNER DOOR SPCR 1/4T X 67H | 2 |
| 7 | AAB-001-00022 | WNDW VIEWING | 1 |



| | | | |
|-----|------------|---|-----------------------------------|
| DR | GM | TOLERANCES (UNLESS SPECIFIED OTHERWISE) | JAY-LOR Fabricating Inc |
| DAT | 11/25/2010 | FRACTIONAL ± 1/16" | |
| | | DEC X.X ± 0.1" | |
| | | DEC X.XXX ± 0.06" | |
| | | DEC X.XXX ± 0.031" | |
| | | ANGULAR ± 0.5° | |

DROP FLOOR DISCHARGE



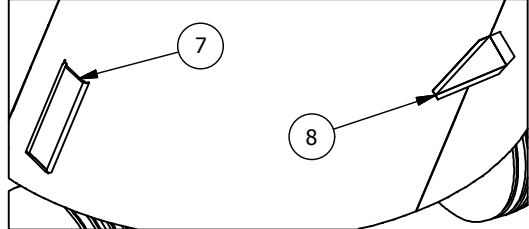
| Door Part Numbers | |
|-------------------|---------------|
| Model | Part # |
| 445T | AAA-001-00334 |
| 525T | AAA-001-00272 |
| LP505T | AAA-001-00330 |
| 610T | AAA-001-00330 |
| 4650 | AAA-001-00334 |
| 4750 | AAA-001-00334 |
| 4850 | AAA-001-00272 |
| 4990 | AAA-001-00272 |

| HDPE Floor Extension Part Numbers | |
|-----------------------------------|---------------|
| Model | Part # |
| 445T | AAA-001-00540 |
| 525T | AAA-001-00540 |
| LP505T | AAA-001-00549 |
| 610T | AAA-001-00549 |
| 4650 | AAA-001-00540 |
| 4750 | AAA-001-00540 |
| 4850 | AAA-001-00540 |
| 4990 | AAA-001-00540 |

| Rubber Shield Part Numbers | |
|----------------------------|---------------|
| Model | Part # |
| 445T | AAA-001-00693 |
| 525T | AAA-001-00693 |
| LP505T | AAA-001-00819 |
| 610T | AAA-001-00819 |
| 4650 | AAA-001-00693 |
| 4750 | AAA-001-00693 |
| 4850 | AAA-001-00693 |
| 4990 | AAA-001-00693 |

| Drum Shield Part Numbers | |
|--------------------------|---------------|
| Model | Part # |
| 445T | AAA-001-00328 |
| 525T | AAA-001-00293 |
| LP505T | AAA-001-00365 |
| 610T | AAA-001-00336 |
| 4650 | AAA-001-00328 |
| 4750 | AAA-001-00328 |
| 4850 | AAA-001-00293 |
| 4990 | AAA-001-00293 |

| Discharge Shield Assembly Part Numbers | |
|--|---------------|
| Model | Part # |
| 445T | AAA-001-00653 |
| 525T | AAA-001-00653 |
| LP505T | AAA-001-00654 |
| 610T | AAA-001-00654 |
| 4650 | AAA-001-00653 |
| 4750 | AAA-001-00653 |
| 4850 | AAA-001-00653 |
| 4990 | AAA-001-00653 |

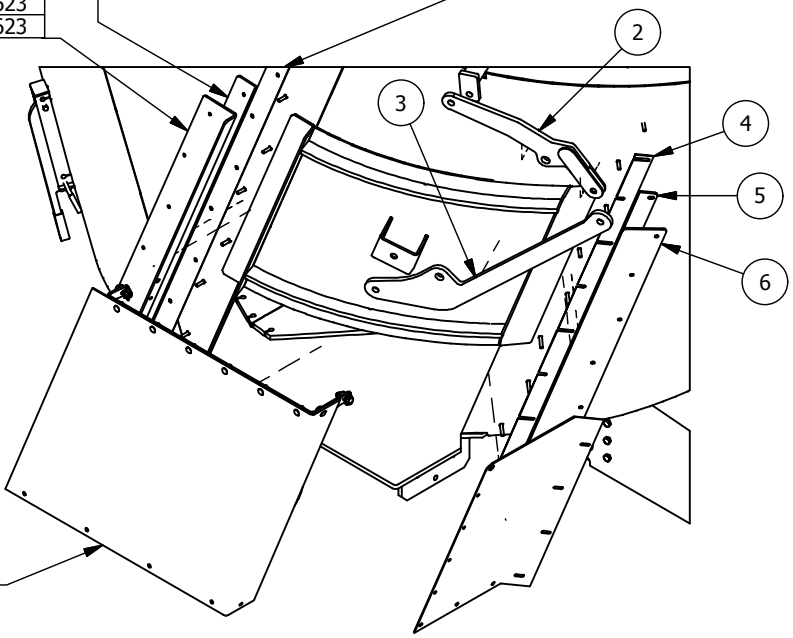


Parts List

| ITE | PART NUMBER | TITLE | QTY |
|-----|---------------|--|-----|
| 1 | AAA-001-00149 | RB ASSY | 2 |
| 2 | AAA-001-00536 | LWR ARM WELDMENT SINGLE CYDR HOLE | 2 |
| 3 | AAA-001-00737 | LONG DOOR ARM 5/8T | 2 |
| 4 | AAA-001-00859 | INNER DOOR SPCR 1/8T X 67H | 2 |
| 5 | AAA-001-00860 | INNER DOOR SPCR 1/4T X 67H | 2 |
| 6 | AAA-001-00901 | OUTER DOOR TRACK 1/4T X 67-1/2H (CORNER DOORS) | 2 |
| 7 | AAB-001-00022 | WNDW VIEWING | 1 |
| 8 | AAB-012-00021 | DECAL SLOW MOVING VEHICLE | 1 |

| Middle Door Spacer Part Numbers | |
|---------------------------------|---------------|
| Model | Part # |
| 445T | AAA-001-00622 |
| 525T | AAA-001-00622 |
| LP505T | AAA-001-00347 |
| 610T | AAA-001-00622 |
| 4650 | AAA-001-00622 |
| 4750 | AAA-001-00622 |
| 4850 | AAA-001-00622 |
| 4990 | AAA-001-00622 |

| Inner Door Spacer Part Numbers | |
|--------------------------------|---------------|
| Model | Part # |
| 445T | AAA-001-00621 |
| 525T | AAA-001-00621 |
| LP505T | AAA-001-00802 |
| 610T | AAA-001-00621 |
| 4650 | AAA-001-00621 |
| 4750 | AAA-001-00621 |
| 4850 | AAA-001-00621 |
| 4990 | AAA-001-00621 |



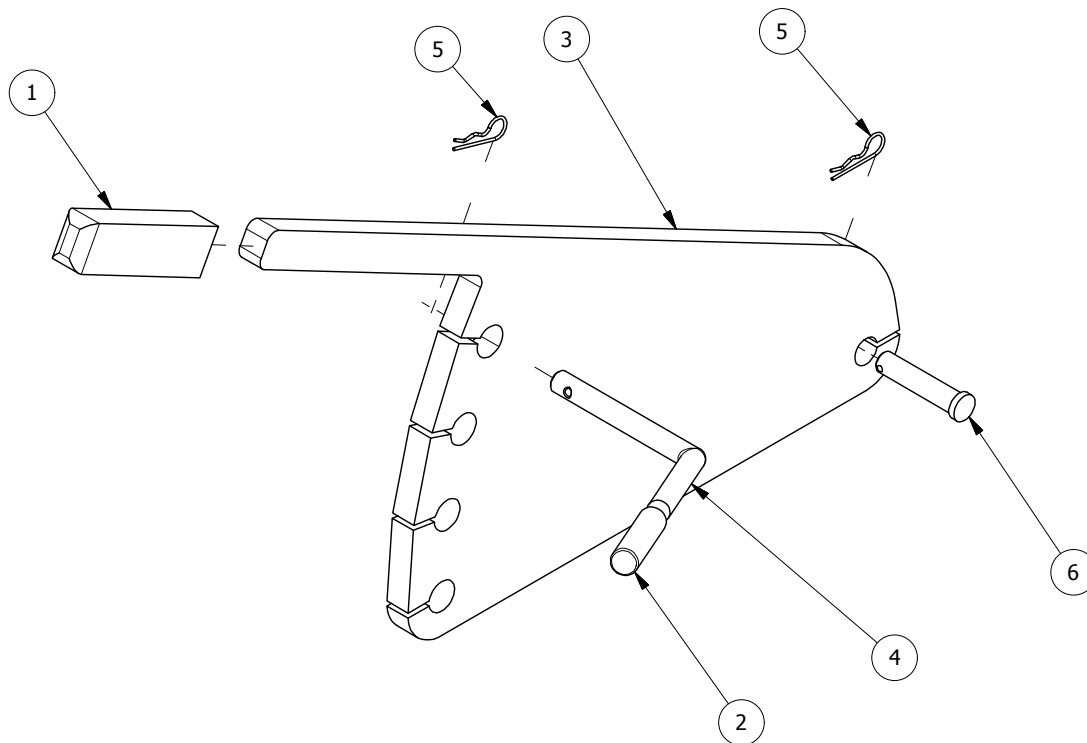
REGULAR FLOOR DISCHARGE

| | | | |
|-----|-----------|---|-----------------------------------|
| DR | GM | TOLERANCES (UNLESS SPECIFIED OTHERWISE) FRACTIONAL ± 1/16" DEC X.X ± 0.1" DEC X.XX ± 0.06" DEC X.XXX ± 0.031" ANGULAR ± 0.5° | JAY-LOR Fabricating Inc |
| DAT | 4/21/2011 | | |
| MAT | | | |

| | | | | | | | |
|---|---------|--------------|----|------|-------------|---------------------------|----|
| UNITS | PAPER A | SHEET 1 OF 1 | R# | DATE | DESCRIPTION | DR | CK |
| TITLE 4000 SERIES AND TOTAL MIX CORNER DOOR PARTS | | | | | | FILE NO AAA-054-00015.idw | |

CONFIDENTIAL: THESE DRAWINGS AND COPIES THEREOF REMAIN THE PROPERTY OF JAY-LOR FABRICATING INC. ANY PERSON FOUND UNLAWFULLY USING, DISTRIBUTING, OR IN POSSESSION OF THE ABOVE WILL BE PROSECUTED

| Parts List | | | |
|------------|----------------|---------------------------------------|-----|
| ITEM | PART NUMBER | TITLE | QTY |
| 1 | AAB-015-40010 | GRIP RB VINYL 7/8 X 4-1/2 | 1 |
| 2 | AAB-015-40009 | GRIP ADJUSTMENT PIN VINYL 1/2 X 2-1/2 | 1 |
| 3 | AAA-001-00674C | RB 5/8T | 1 |
| 4 | AAB-001-00020 | PIN BENT ADJUSTMENT 1/2 X 3-5/8 | 1 |
| 5 | AAB-015-40005 | PIN CLIP 1/16 X 1-5/8 | 2 |
| 6 | AAB-001-00017 | PIN PIVOT 1/2 X 2.41 | 1 |

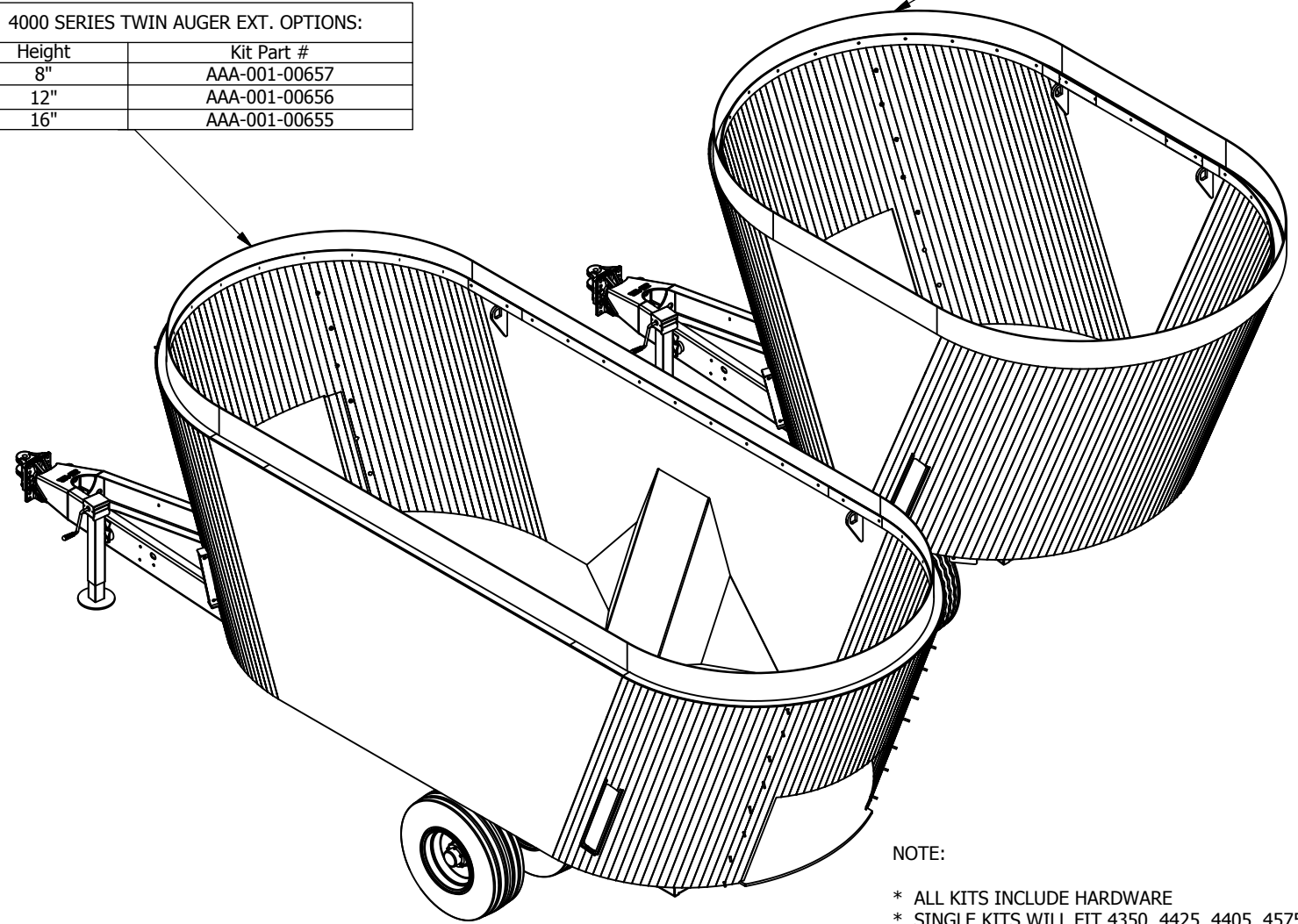


| | | | | |
|------------|-----------|----------------|----------------|--|
| DRAWN BY | JET | TOLERANCES | FRACTION ± 1/8 | JAY-LOR <i>Fabricating Inc</i> |
| CHECKED BY | | DECIMAL ± 1/32 | ANGLES ± 1/2° | |
| DATE | 1/18/2012 | | | |
| MATERIAL | EACH | SCALE | 1:3 | AAA-001-00149 |

| | | | | | | | | | | | | | |
|---------|-------------------|-------|---|-------|--------|----|--|------|--|-------------|--|----|----|
| UNITS | EACH | PAPER | A | SHEET | 2 OF 2 | R# | | DATE | | DESCRIPTION | | DR | CK |
| TITLE | RB ASSY | | | | | | | | | | | | |
| FILE NO | AAA-001-00149.idw | | | | | | | | | | | | |

| 4000 SERIES SINGLE AUGER EXT. OPTIONS: | |
|--|---------------|
| Height | Kit Part # |
| 8" | AAA-001-00647 |
| 12" | AAA-001-00648 |
| 16" | AAA-001-00649 |

| 4000 SERIES TWIN AUGER EXT. OPTIONS: | |
|--------------------------------------|---------------|
| Height | Kit Part # |
| 8" | AAA-001-00657 |
| 12" | AAA-001-00656 |
| 16" | AAA-001-00655 |



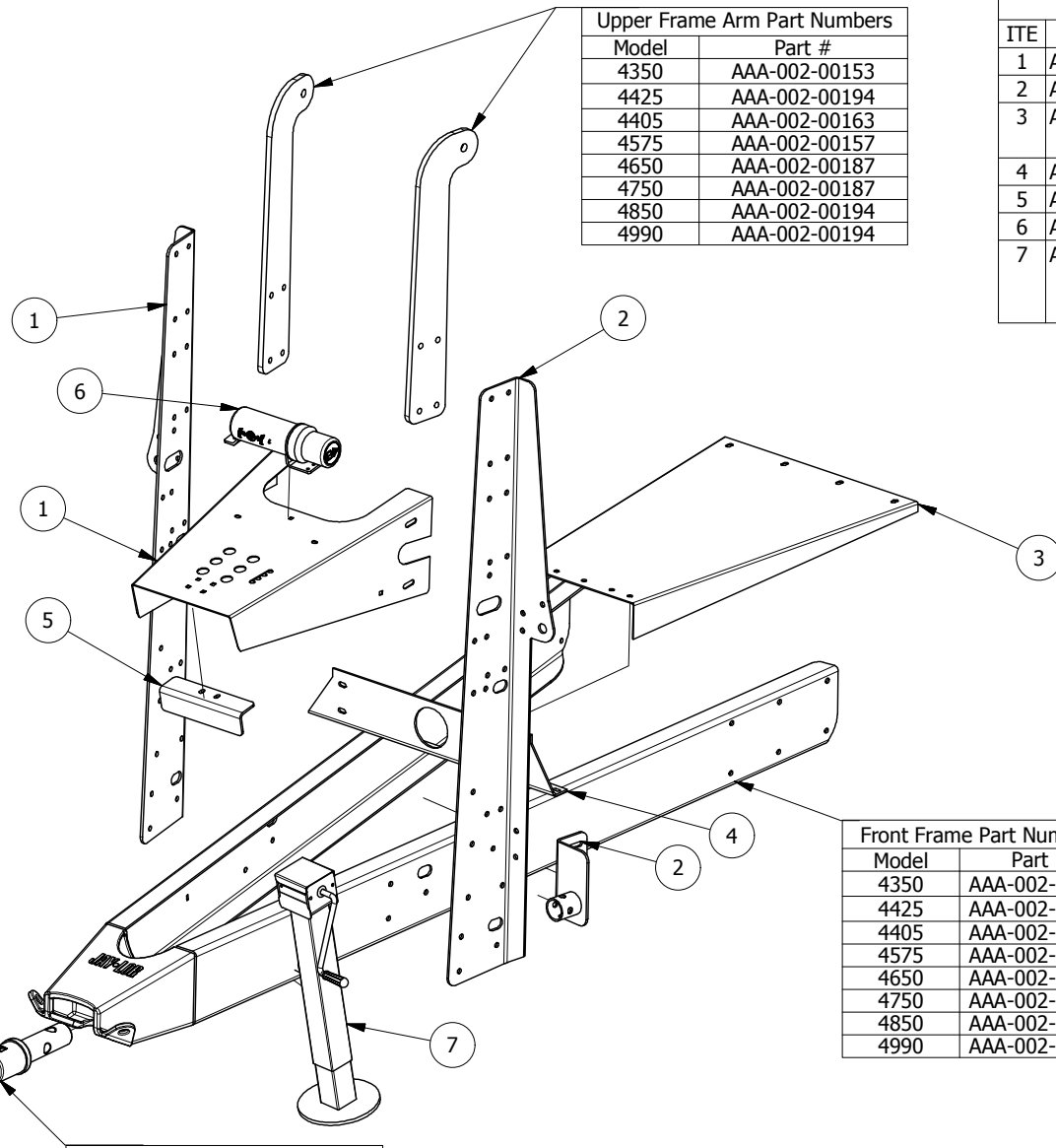
- NOTE:
- * ALL KITS INCLUDE HARDWARE
 - * SINGLE KITS WILL FIT 4350, 4425, 4405, 4575 & ALL T-SERIES
 - * TWIN KITS WILL FIT 4650, 4750, 4850 ,4990, 4850HD, 41000HD & 41250 HD

| | | | |
|---|------------|---|-----------------------------------|
| DR | Jan .v. Ee | TOLERANCES (UNLESS SPECIFIED OTHERWISE) FRACTIONAL ± 1/16" DEC X.X ± 0.1" DEC X.XX ± 0.06" DEC X.XXX ± 0.031" ANGULAR ± 0.5° | JAY•LOR Fabricating Inc |
| DAT | 10/31/2012 | | |
| MAT | | | |
| CONFIDENTIAL: THESE DRAWINGS AND COPIES THEREOF REMAIN THE PROPERTY OF JAY-LOR FABRICATING INC. ANY PERSON FOUND UNLAWFULLY USING, DISTRIBUTING, OR IN POSSESSION OF THE ABOVE WILL BE PROSECUTED | | | |

| UNITS | PAPER | SHEET | R# | DATE | DESCRIPTION | DR | CK | FILE NO |
|---------------------------------------|-------|--------|----|------|-------------|----|----|-------------------|
| | A | 1 OF 1 | | | | | | AAA-054-00132.idw |
| TITLE 4000 SERIES DRUM EXTENSION KITS | | | | | | | | |

G. 002 – FRAME / HITCH PARTS**Drawing Number Reference Chart:**

| Part | Model | | | |
|------------------------------|---------------|------|------|------|
| | 4650 | 4750 | 4850 | 4990 |
| Front Frame Assembly & Hitch | AAA-054-00004 | | | |



| Upper Frame Arm Part Numbers | |
|------------------------------|---------------|
| Model | Part # |
| 4350 | AAA-002-00153 |
| 4425 | AAA-002-00194 |
| 4405 | AAA-002-00163 |
| 4575 | AAA-002-00157 |
| 4650 | AAA-002-00187 |
| 4750 | AAA-002-00187 |
| 4850 | AAA-002-00194 |
| 4990 | AAA-002-00194 |

| Parts List | | | |
|------------|---------------|--|-----|
| ITE | PART NUMBER | TITLE | QTY |
| 1 | AAA-002-00125 | HOOD WELDMNT | 1 |
| 2 | AAA-002-00159 | JACK STAND MNT WELDMNT LTH | 1 |
| 3 | AAA-002-00336 | PTO SHIELD 1/8T (TWINS CORNER DOOR) | 1 |
| 4 | AAA-006-00030 | BRKT FRT MNT FOR CNVR 1/4T | 1 |
| 5 | AAA-009-00048 | HYD HOSE HOOD SUPT ANGLE | 1 |
| 6 | AAB-002-00001 | MANUAL HOLDER | 1 |
| 7 | AAB-002-00197 | JACK IMPLEMENT ASSY WITH OUTER SLEEVE, 1 INNER SLEEVE, PIN AND CHAIN | 1 |

| Hitch Assembly Part Numbers | |
|-----------------------------|---------------|
| Model | Part # |
| 4350 | AAA-002-00901 |
| 4425 | AAA-002-00901 |
| 4405 | AAA-002-00901 |
| 4575 | AAA-002-00901 |
| 4650 | AAA-002-00901 |
| 4750 | AAA-002-00901 |
| 4850 | AAA-002-00902 |
| 4990 | AAA-002-00902 |

| Front Frame Part Numbers | |
|--------------------------|---------------|
| Model | Part # |
| 4350 | AAA-002-00853 |
| 4425 | AAA-002-00853 |
| 4405 | AAA-002-00853 |
| 4575 | AAA-002-00853 |
| 4650 | AAA-002-00853 |
| 4750 | AAA-002-00853 |
| 4850 | AAA-002-00876 |
| 4990 | AAA-002-00876 |

| Hitch Weigh Bar Part Numbers | |
|------------------------------|---------------|
| Model | Part # |
| 4350 | AAB-010-00194 |
| 4425 | AAB-010-00194 |
| 4405 | AAB-010-00194 |
| 4575 | AAB-010-00194 |
| 4650 | AAB-010-00194 |
| 4750 | AAB-010-00194 |
| 4850 | AAB-010-00191 |
| 4990 | AAB-010-00191 |

| | | |
|----------------|--|--|
| DR | TOLERANCES (UNLESS SPECIFIED OTHERWISE) | |
| DATE 4/10/2008 | FRACTIONAL ± 1/16" | |
| MAT | DEC X.X ± 0.1" DEC X.XX ± 0.06" DEC X.XXX ± 0.031" ANGULAR ± 0.5° | |

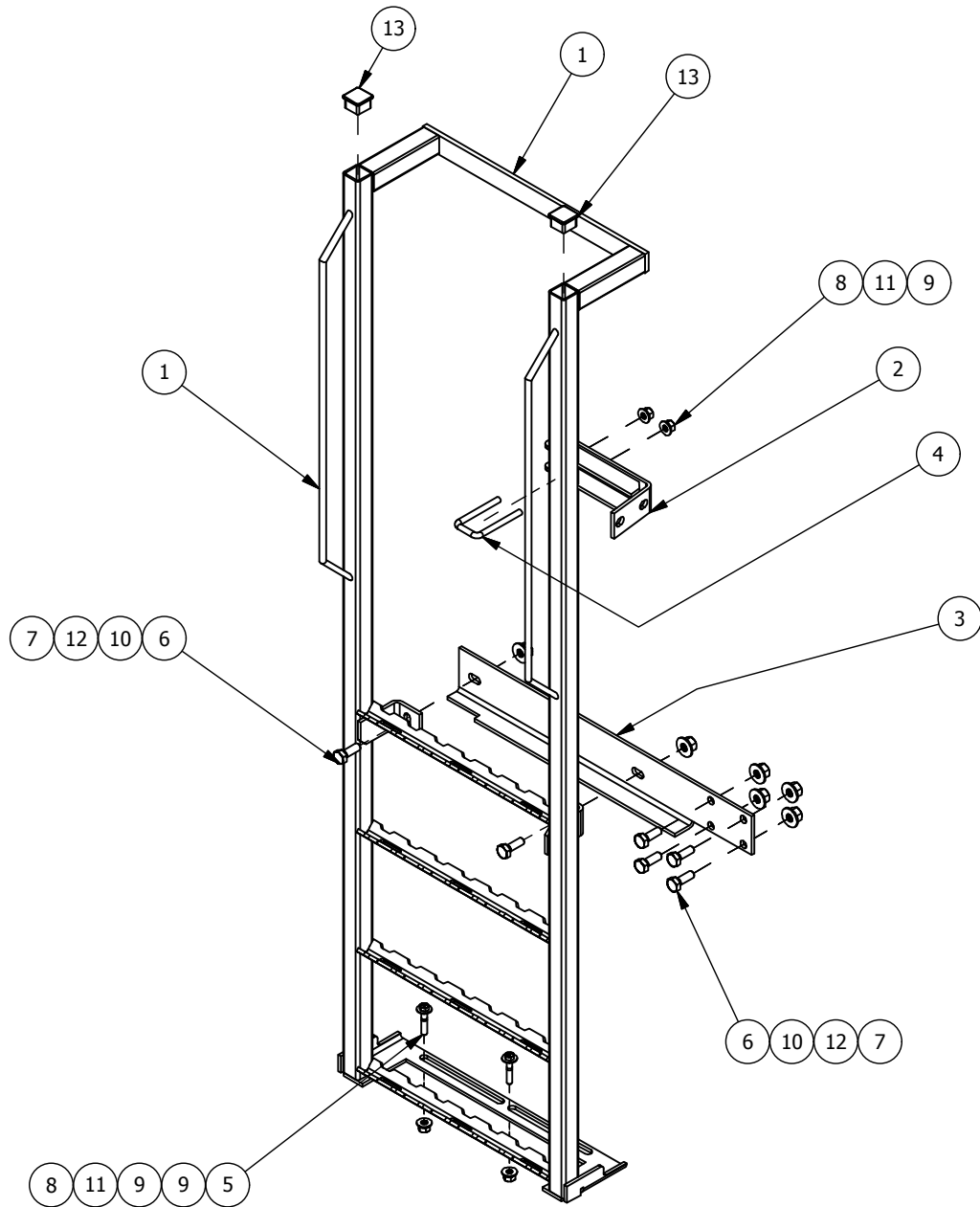
| | | | | | | | |
|--|---------|--------------|----|------|-------------|-------------------|----|
| UNITS | PAPER A | SHEET 1 OF 3 | R# | DATE | DESCRIPTION | DR | CK |
| TITLE 4000 SERIES FRONT FRAME ASSEMBLY | | | | | FILE NO | AAA-054-00004.idw | |

CONFIDENTIAL: THESE DRAWINGS AND COPIES THEREOF REMAIN THE PROPERTY OF JAY-LOR FABRICATING INC. ANY PERSON FOUND UNLAWFULLY USING, DISTRIBUTING, OR IN POSSESSION OF THE ABOVE WILL BE PROSECUTED

H. 003 – LADDER PARTS

Drawing Number Reference Chart:

| Part | Model | | | |
|--------------------------|---------------|------|------|------|
| | 4650 | 4750 | 4850 | 4990 |
| Standard Ladder Assembly | AAA-003-00076 | | | |



| Parts List | | | |
|------------|---------------|--------------------------------|-----|
| ITEM | PART NUMBER | TITLE | QTY |
| 1 | AAA-003-00006 | LDR 4000 SERIES WELDMENT | 1 |
| 2 | AAA-003-00009 | SIDE BRACE WELDMENT | 1 |
| 3 | AAA-003-00074 | LDR MID SUPT 1/4T | 1 |
| 4 | AAB-015-10029 | U BOLT 3/8-16 UNC 4-3/16 IN LG | 1 |
| 5 | AAB-015-10057 | BOLT HEX 3/8 X 2 UNC GRD 5 | 2 |
| 6 | AAB-015-10063 | BOLT HEX 1/2 X 1-1/2 UNC GRD 5 | 12 |
| 7 | AAB-015-20011 | NUT HEX 1/2 UNC GRD 5 | 12 |
| 8 | AAB-015-20017 | NUT HEX 3/8 UNC GRD 2 | 6 |
| 9 | AAB-015-30012 | WSHR FLAT 3/8 USS | 8 |
| 10 | AAB-015-30013 | WSHR FLAT 1/2 USS | 12 |
| 11 | AAB-015-30017 | WSHR LOCK 3/8 | 6 |
| 12 | AAB-015-30018 | WSHR LOCK 1/2 | 12 |
| 13 | AAB-015-50002 | CAP POLY 1-1/4 X 1-1/4 | 2 |

| | | | | | | | |
|------------------------------|---------|--------------|----|------|-------------|-------------------|----|
| UNITS | PAPER A | SHEET 1 OF 1 | R# | DATE | DESCRIPTION | DR | CK |
| TITLE LDR ASSY (4000 SERIES) | | | | | FILE NO | AAA-003-00076.idw | |

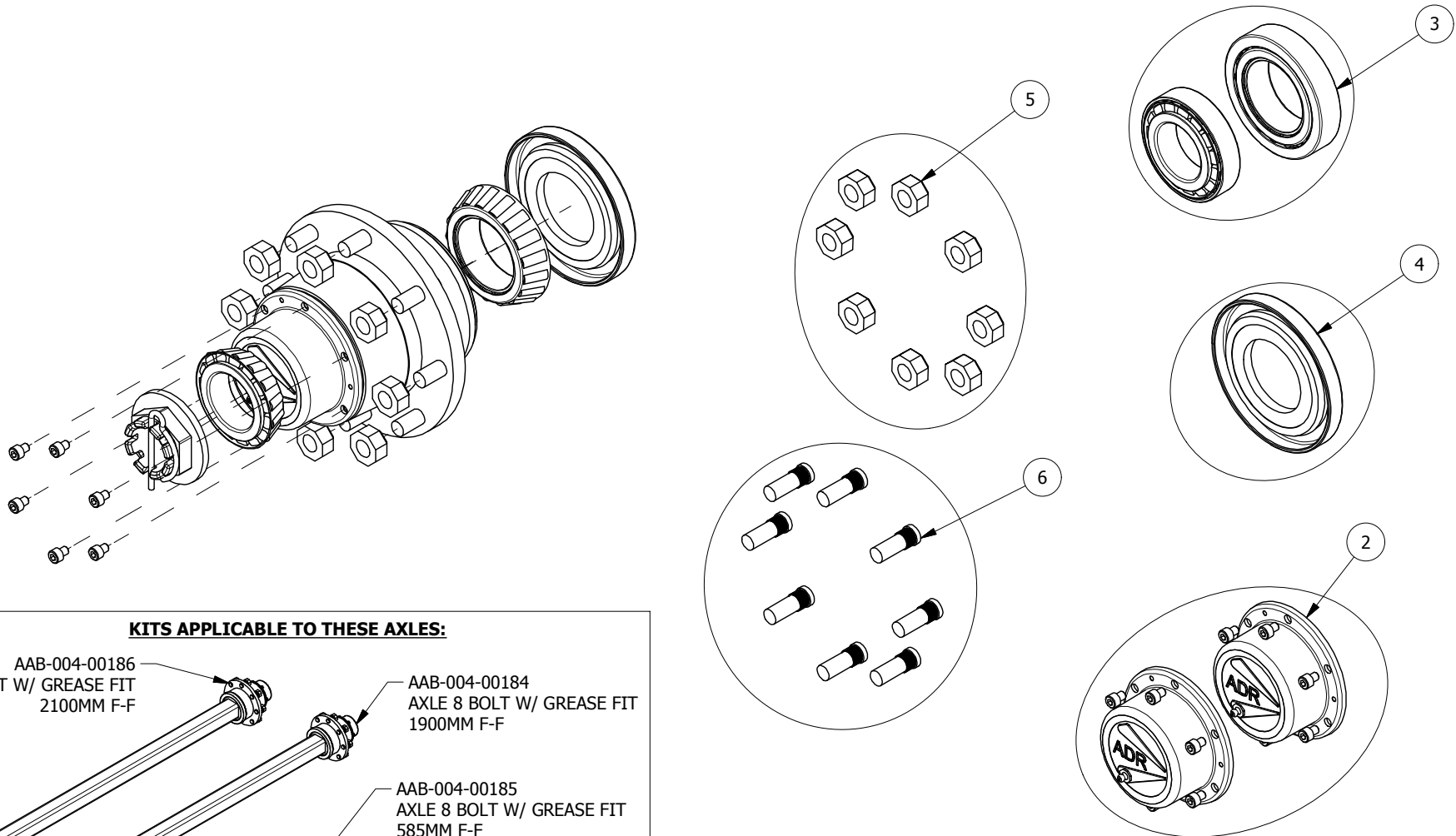
| | | | |
|--|-----------|---|--|
| DR | LMV | TOLERANCES (UNLESS SPECIFIED OTHERWISE) FRACTIONAL ± 1/16" DEC X.X ± 0.1" DEC X.XX ± 0.06" DEC X.XXX ± 0.031" ANGULAR ± 0.5° | |
| DAT | 1/18/2012 | | |
| MAT | | | |
| <small>CONFIDENTIAL: THESE DRAWINGS AND COPIES THEREOF REMAIN THE PROPERTY OF JAY-LOR FABRICATING INC. ANY PERSON FOUND UNLAWFULLY USING, DISTRIBUTING, OR IN POSSESSION OF THE ABOVE WILL BE PROSECUTED</small> | | | |

I. 004 – WHEEL / HUB / AXLE PARTS**Drawing Number Reference Chart:**

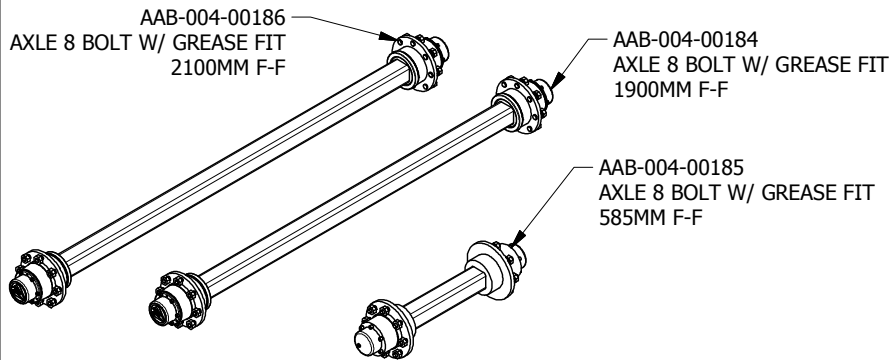
| Part | Model | | | |
|-------------|---------------|------|------|------|
| | 4650 | 4750 | 4850 | 4990 |
| 8-Bolt Axle | AAA-004-00184 | | | |
| Axle Mount | AAA-054-00134 | | | |
| Wheels | AAB-004-00002 | | | |
| | AAB-004-00015 | | | |
| | AAB-004-00181 | | | |

Parts List

| ITEM | PART NUMBER | TITLE | QTY |
|------|---------------|--|-----|
| 1 | AAA-004-00154 | KIT ADR 8 BOLT 12000LB HUB WITH GREASE FIT ON DUST CAP, SEALS, BRNGS, RACES, BOLTS | 1 |
| 2 | AAA-004-00155 | ADR DUST CAP AND SEAL KIT WITH 2 DUST CAPS, GREASE FIT, 2 SEALS AND HDR | 1 |
| 3 | AAB-004-00022 | ADR BEARING AND RACE KIT INCLUDES 1 INNER BEARING & RACE, 1 OUTER BEARING & RACE, 32215, 32212 | 1 |
| 4 | AAB-004-00117 | SEAL GREASE INDUSTRIAL NILOS FOR ADR 8 BOLT AXLE | 1 |
| 5 | AAB-004-00128 | KIT ADR M16 WHEEL NUTS FOR 8-BOLT AXLE (10 PIECES) | 1 |
| 6 | AAB-004-00129 | KIT ADR M16 X 50MM WHL STUDS FOR 8-BOLT AXLE (10X PIECES) | 1 |



KITS APPLICABLE TO THESE AXLES:



| | | | |
|-----|-----------|---|-----------------------------------|
| DR | BVV | TOLERANCES (UNLESS SPECIFIED OTHERWISE) FRACTIONAL ± 1/16" DEC X.X ± 0.1" DEC X.XX ± 0.06" DEC X.XXX ± 0.031" ANGULAR ± 0.5° | JAY•LOR Fabricating Inc |
| DAT | 1/27/2011 | | |
| MAT | | | |

| | | | | | | | | |
|-------|---------|-------|---|-------|--------|----|------|-------------|
| UNITS | IN [MM] | PAPER | A | SHEET | 2 OF 3 | R# | DATE | DESCRIPTION |
|-------|---------|-------|---|-------|--------|----|------|-------------|

FILE NO AAB-004-00184.idw

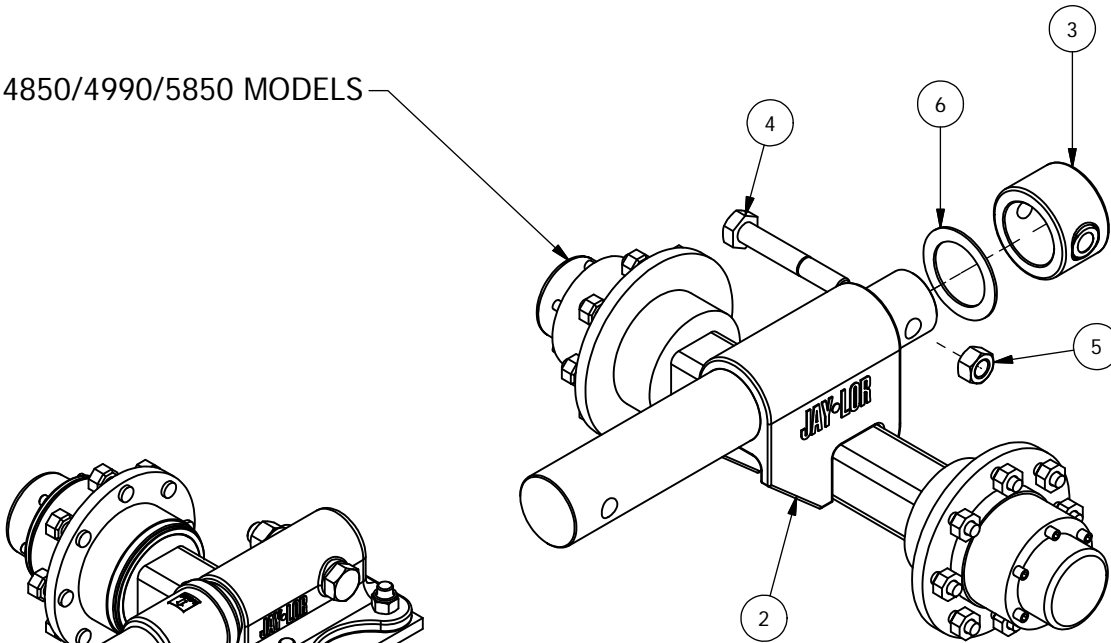
CONFIDENTIAL: THESE DRAWINGS AND COPIES THEREOF REMAIN THE PROPERTY OF JAY-LOR FABRICATING INC. ANY PERSON FOUND UNLAWFULLY USING, DISTRIBUTING, OR IN POSSESSION OF THE ABOVE WILL BE PROSECUTED

TITLE PARTS KITS FOR ADR 8 BOLT AXLES

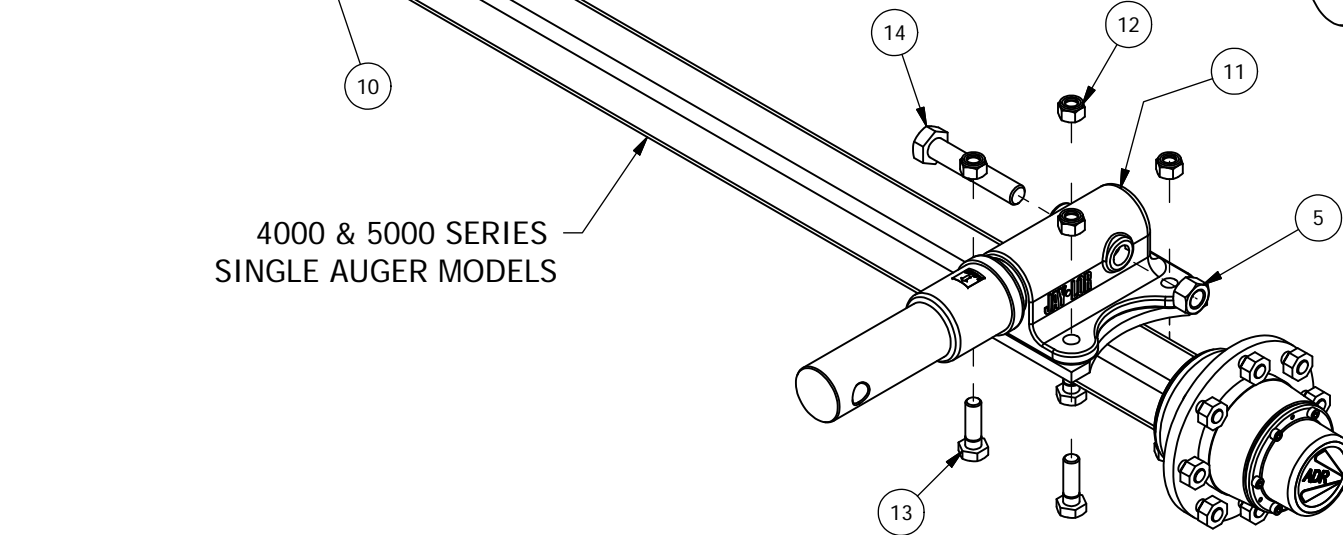
Parts List

| ITE | PART NUMBER | TITLE |
|-----|---------------|--|
| 1 | AAA-004-00184 | AXLE OSCILLATING 23 F-F WELDMENT W/ 2.645ID CAST WB TUBE |
| 2 | AAA-004-00177 | AXLE OSCILLATING 23 F-F WELDMENT W/ 3.27ID WB TUBE |
| 3 | AAB-004-00177 | CAST WB TUBE 3.27ID X 4.75OD X 3.03L |
| 4 | AAB-015-10083 | BOLT HEX 1 X 6-1/2 UNC GRD 8 |
| 5 | AAB-015-20021 | NUT HEX 1 UNC GRD 8 |
| 6 | AAA-000-00112 | OSCILLATING AXLE PLASTIC SPCKER 3.375ID X 1/8T |
| 7 | AAB-004-00176 | CAST WB TUBE 2.645ID X 4OD X 2.86L |
| 8 | AAB-015-10091 | BOLT HEX 1 X 5 UNC GRD 8 |
| 9 | AAA-000-00113 | OSCILLATING AXLE NYLON SPACER 2.625ID X 1/8T |
| 10 | AAA-004-00019 | AXLE MNT PLT 9 X 9 X 5/8T |
| 11 | AAB-004-00170 | CAST AXLE WB SUPT 2.895ID X 9L (SINGLES) |
| 12 | AAB-015-20016 | NUT HEX LOCK NYLON 3/4 UNC GRD 8 |
| 13 | AAB-015-10134 | BOLT HEX 3/4 X 2-1/2 UNC GRD 8 |
| 14 | AAB-015-10136 | BOLT HEX 1 X 5 1/2 UNC GRD 8 |

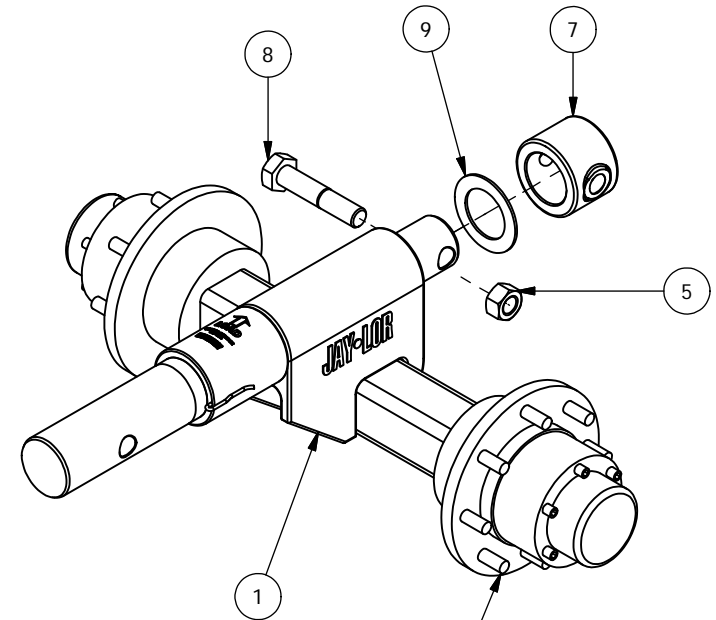
4850/4990/5850 MODELS



4000 & 5000 SERIES
SINGLE AUGER MODELS



4650/4750 &
5650/5750 MODELS



DR Jan .v. Ee
DAT 1/9/2013
MAT

TOLERANCES (UNLESS SPECIFIED OTHERWISE)
FRACTIONAL ± 1/16"
DEC X.X ± 0.1"
DEC X.XX ± 0.06"
DEC X.XXX ± 0.031"
ANGULAR ± 0.5°



UNITS PAPER A SHEET 1 OF 1 R# DATE DESCRIPTION DR CK

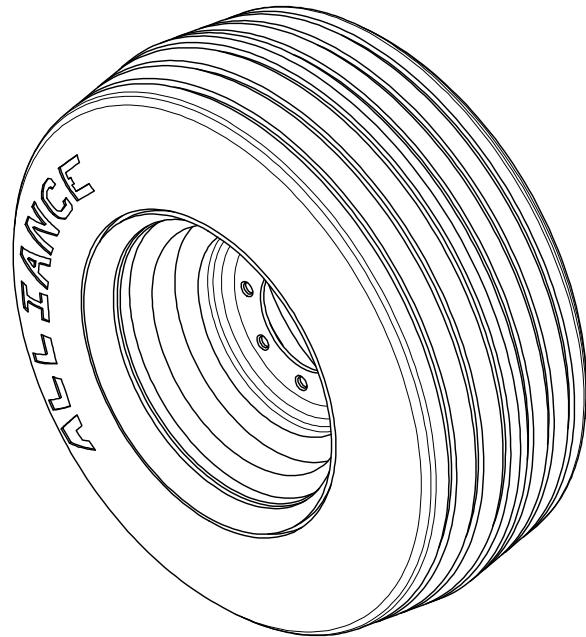
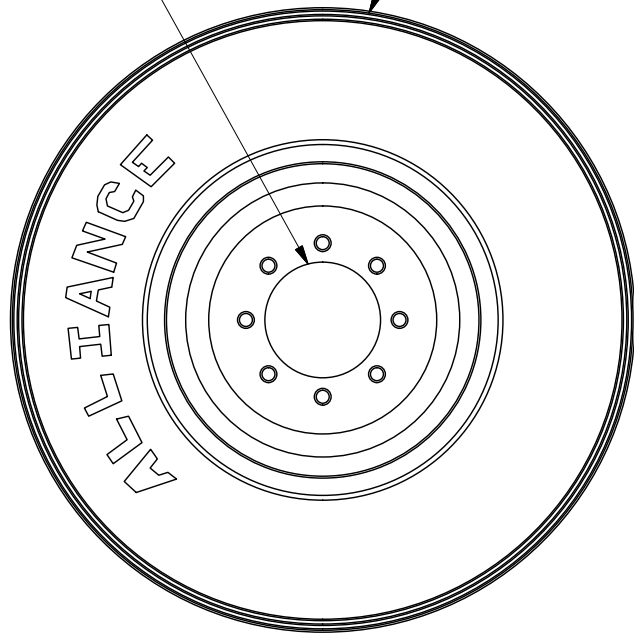
TITLE AXLES & MNT HARDWARE REGULAR SINGLES AND TWINS

FILE NO AAA-054-00134.idw

CONFIDENTIAL: THESE DRAWINGS AND COPIES THEREOF REMAIN THE PROPERTY OF JAY-LOR FABRICATING INC. ANY PERSON FOUND UNLAWFULLY USING, DISTRIBUTING, OR IN POSSESSION OF THE ABOVE WILL BE PROSECUTED

AAB-004-00034
TIRE ALLIANCE 15.0/55-17-18 PLY HD

AAB-004-00035
RIM 13 X 17 6.0 / 8.0 / 8 OFFSET -15MM



NOTE:
MAINTAIN TIRE PRESSURE AT 85 PSI

MAX. CAPACITY 7270LBS @ 40KM/HR
8660LBS @ 25KM/HR

DR Barclay Nap

DAT 2/5/2007

MAT

TOLERANCES (UNLESS SPECIFIED OTHERWISE)

| | |
|------------|----------|
| FRACTIONAL | ± 1/16" |
| DEC X.X | ± 0.1" |
| DEC X.XX | ± 0.06" |
| DEC X.XXX | ± 0.031" |
| ANGULAR | ± 0.5° |

JAY•LOR
Fabricating Inc

| | | | | | |
|------------|---------|--------------|----|------|-------------|
| UNITS EACH | PAPER A | SHEET 2 OF 2 | R# | DATE | DESCRIPTION |
|------------|---------|--------------|----|------|-------------|

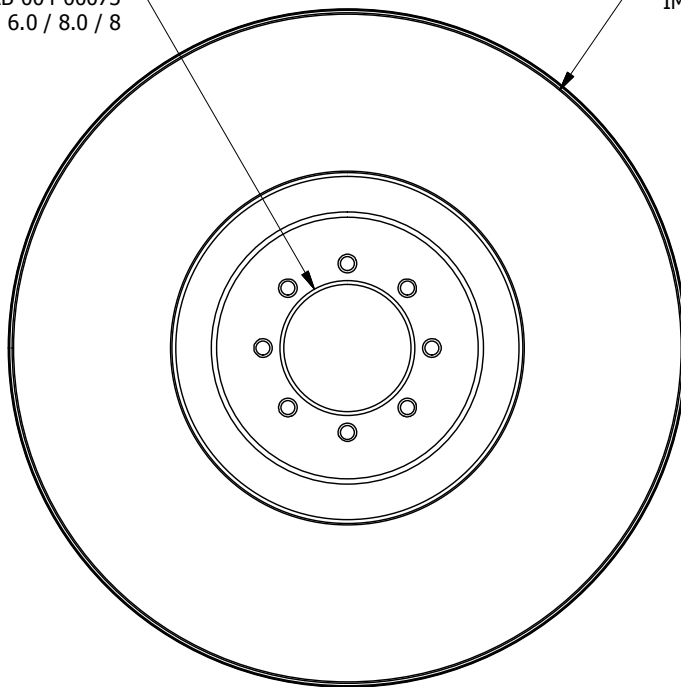
| | |
|----|----|
| DR | CK |
|----|----|

TITLE TIRE AND RIM ALLIANCE 15.0/55-17- 18 PLY HD

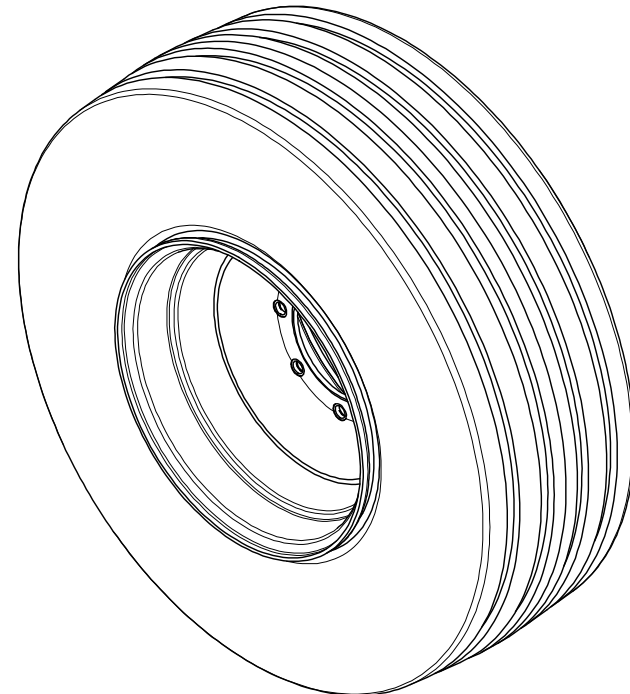
FILE NO AAB-004-00002.idw

CONFIDENTIAL: THESE DRAWINGS AND COPIES THEREOF REMAIN THE PROPERTY OF JAY-LOR FABRICATING INC. ANY PERSON FOUND UNLAWFULLY USING, DISTRIBUTING, OR IN POSSESSION OF THE ABOVE WILL BE PROSECUTED

AAB-004-00073
RIM 10 X 15 6.0 / 8.0 / 8



AAB-004-00071
IMPLEMENT TIRE 12.5-15 I-1



NOTE:
TIRE PRESSURE TO BE 90 PSI

MAX CAPACITY:
4680LBS @ 62 MPH (2127KG @ 100KM/HR)
5620LBS @ 25MPH (2550KG @ 40KM/HR)

NOTE:
DUE TO THE POPULARITY OF THE 12.5-15 TIRE
THE BRAND NAME MAY VARY DUE TO AVAILABILITY.
JAYLOR RESERVES THE RIGHT TO CHANGE BRAND WITH OUT NOTICE.

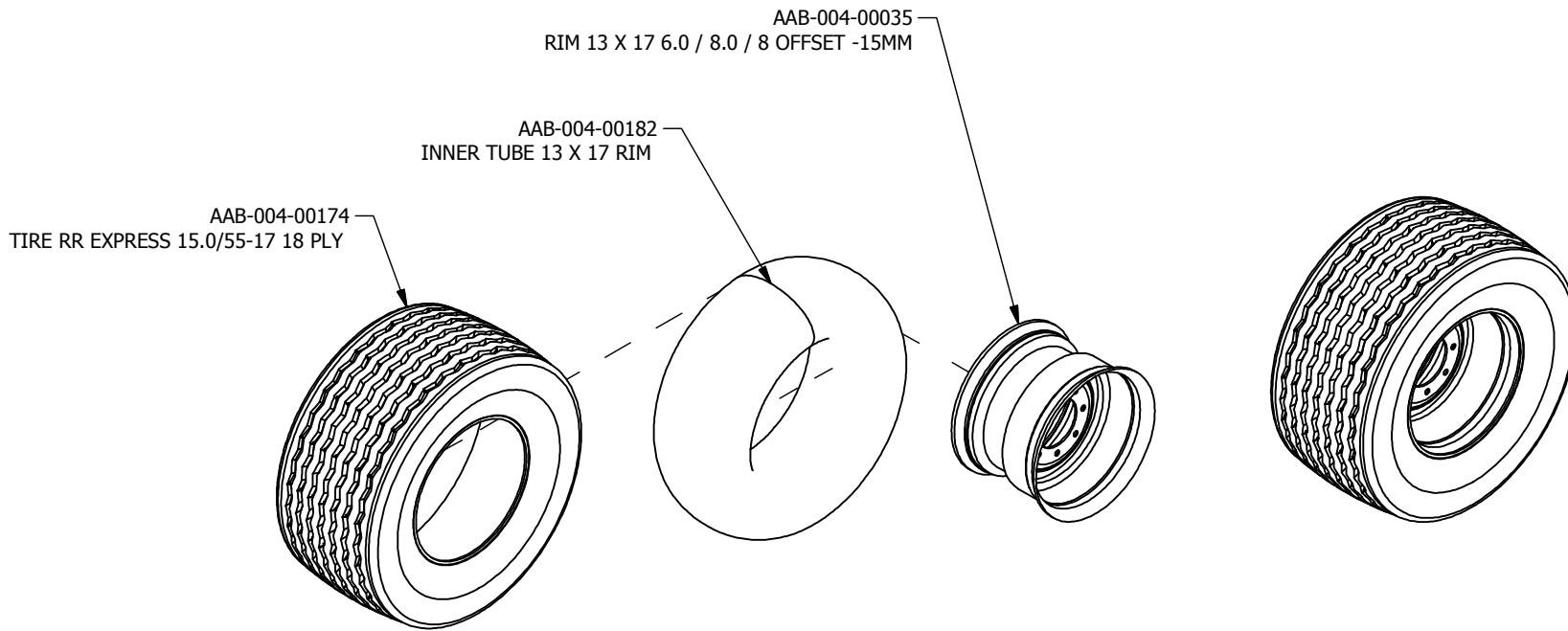
| | | | |
|-----|-----------|---|-----------------------------------|
| DR | BCN | TOLERANCES (UNLESS SPECIFIED OTHERWISE) FRACTIONAL ± 1/16" DEC X.X ± 0.1" DEC X.XX ± 0.06" DEC X.XXX ± 0.031" ANGULAR ± 0.5° | JAY•LOR Fabricating Inc |
| DAT | 7/26/2006 | | |
| MAT | | | |

| | | | | | | | | | | | | |
|-------|------|-------|---|-------|--------|----|--|------|--|-------------|----|----|
| UNITS | EACH | PAPER | A | SHEET | 2 OF 2 | R# | | DATE | | DESCRIPTION | DR | CK |
|-------|------|-------|---|-------|--------|----|--|------|--|-------------|----|----|

TITLE TIRE AND RIM ASSY 12.5-15 I-1

FILE NO AAB-004-00015.idw

CONFIDENTIAL: THESE DRAWINGS AND COPIES THEREOF REMAIN THE PROPERTY OF JAY-LOR FABRICATING INC. ANY PERSON FOUND UNLAWFULLY USING, DISTRIBUTING, OR IN POSSESSION OF THE ABOVE WILL BE PROSECUTED



NOTE:
TIRE AND RIM ASSEMBLY TO INCLUDE INNER TUBE (INSTALLED)

NOTE:
TIRE PRESSURE TO BE 87 PSI / 600kPA

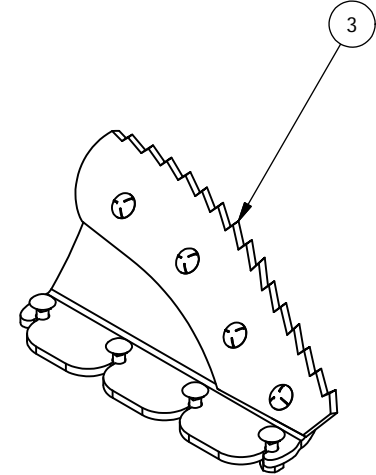
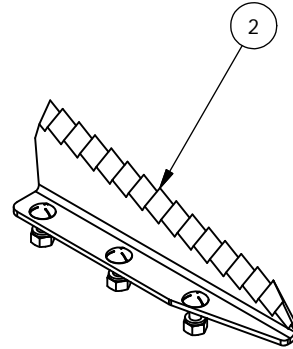
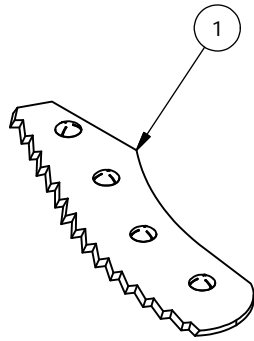
MAX. CAPACITY:
3250KGS @ 30KM/HR (7150LBS @ 18.6 MPH)

| | | | | | | | | | | |
|---|---------|--------------|----|------|-------------|---|----|--------|---|--|
| UNITS | PAPER A | SHEET 1 OF 1 | R# | DATE | DESCRIPTION | DR | CK | DR LMV | TOLERANCES (UNLESS SPECIFIED OTHERWISE) FRACTIONAL ± 1/16" DEC X.X ± 0.1" DEC X.XX ± 0.06" DEC X.XXX ± 0.031" ANGULAR ± 0.5° | |
| TITLE TIRE AND RIM RR EXPRESS 13 X 17 WITH 15.0/55-17 18 PLY AND INNER TUBE | | | | | | | | MAT | | |
| FILE NO AAB-004-00181.idw | | | | | | CONFIDENTIAL: THESE DRAWINGS AND COPIES THEREOF REMAIN THE PROPERTY OF JAY-LOR FABRICATING INC. ANY PERSON FOUND UNLAWFULLY USING, DISTRIBUTING, OR IN POSSESSION OF THE ABOVE WILL BE PROSECUTED | | | | |

J. 005 – AUGER PARTS**Drawing Number Reference Chart:**

| Part | Model | | | |
|-------------------------|---------------|------|------|------|
| | 4650 | 4750 | 4850 | 4990 |
| Knife Options | AAA-054-00055 | | | |
| Auger Ordering Guide | AAA-054-00056 | | | |
| Complete Auger Kits | AAA-054-00054 | | | |
| Auger Replacement Parts | AAA-054-00026 | | | |

| Parts List | | | |
|------------|---------------|----------------------------------|-----|
| ITEM | PART NUMBER | TITLE | QTY |
| 1 | AAA-005-00226 | KIT AUGER KNIFE AND BOLTS | 10 |
| 2 | AAA-005-00225 | KIT VERTICAL KNIFE WITH HARDWARE | 3 |
| 3 | AAA-005-00224 | KIT ALEXANDER KNIFE | 3 |

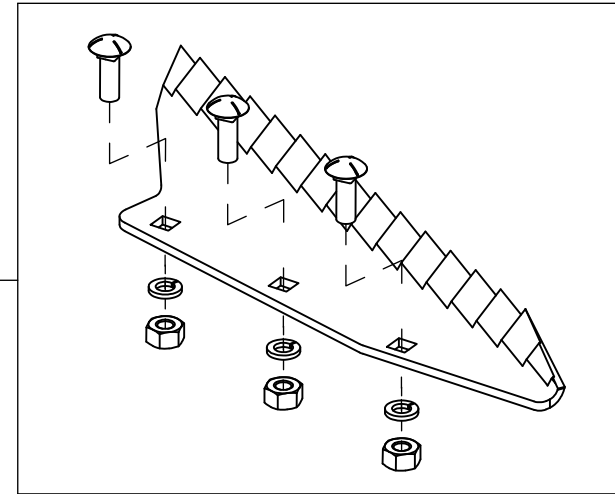
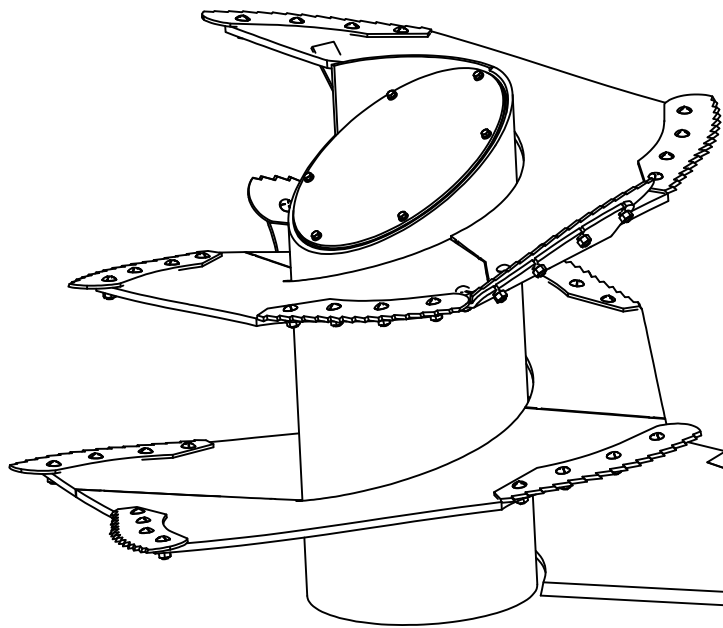


| | | |
|----------------|--|-----------------------------------|
| DR LVandergaag | TOLERANCES (UNLESS SPECIFIED OTHERWISE) | JAY•LOR Fabricating Inc |
| DATE 2/7/2011 | FRACTIONAL ± 1/16" | |
| MAT | DEC X.X ± 0.1" DEC X.XX ± 0.06" DEC X.XXX ± 0.031" ANGULAR ± 0.5° | |

| | | | | | | | |
|-------|---------|--------------|----|------|-------------|----|----|
| UNITS | PAPER A | SHEET 1 OF 4 | R# | DATE | DESCRIPTION | DR | CK |
|-------|---------|--------------|----|------|-------------|----|----|

TITLE 4000 SERIES KNIFE OPTIONS FILE NO AAA-054-00055.idw

CONFIDENTIAL- THESE DRAWINGS AND COPIES THEREOF REMAIN THE PROPERTY OF JAY-LOR FABRICATING INC. ANY PERSON FOUND UNLAWFULLY USING, DISTRIBUTING, OR IN POSSESSION OF THE ABOVE WILL BE PROSECUTED

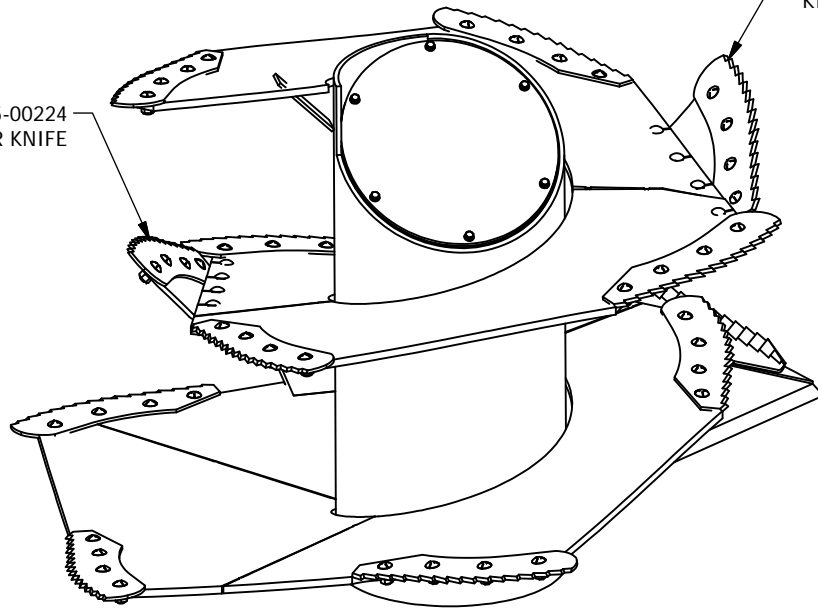


AAA-005-00225
KIT VERTICAL KNIFE WITH HARDWARE

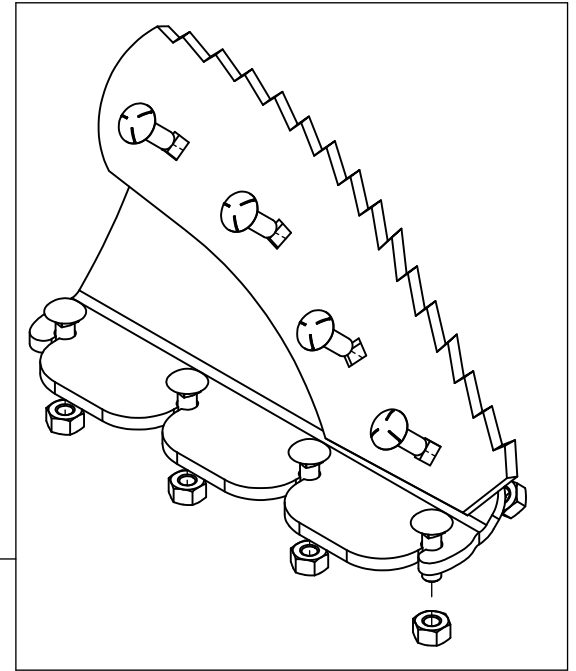
AAA-005-00225
KIT VERTICAL KNIFE WITH HARDWARE

| | | | | | | | | | | |
|--|---------|--------------|----|------|-------------|---------|-------------------|------------------------|---|-----------------------------------|
| UNITS | PAPER A | SHEET 2 OF 4 | R# | DATE | DESCRIPTION | DR | CK | MAT | TOLERANCES (UNLESS SPECIFIED OTHERWISE) FRACTIONAL ± 1/16" DEC X.X ± 0.1" DEC X.XX ± 0.06" DEC X.XXX ± 0.031" ANGULAR ± 0.5° | JAY•LOR Fabricating Inc |
| TITLE KIT VERTICAL KNIFE WITH HARDWARE | | | | | | FILE NO | AAA-054-00055.idw | DR LMV DAT 2/7/2011 | CONFIDENTIAL: THESE DRAWINGS AND COPIES THEREOF REMAIN THE PROPERTY OF JAY-LOR FABRICATING INC. ANY PERSON FOUND UNLAWFULLY USING, DISTRIBUTING, OR IN POSSESSION OF THE ABOVE WILL BE PROSECUTED | |

AAA-005-00224
KIT ALEXANDER KNIFE



AAA-005-00224
KIT ALEXANDER KNIFE



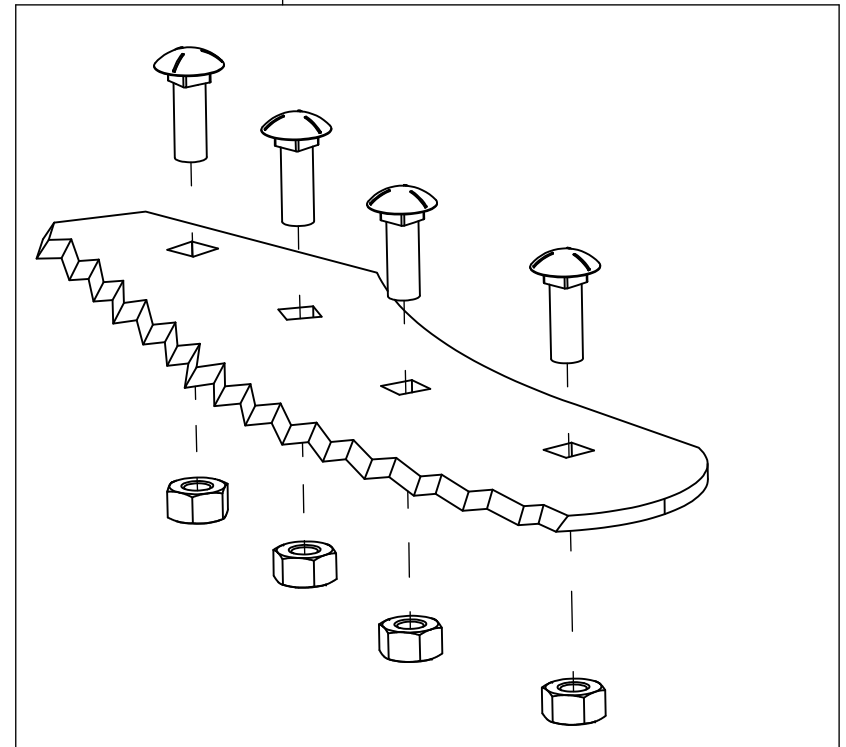
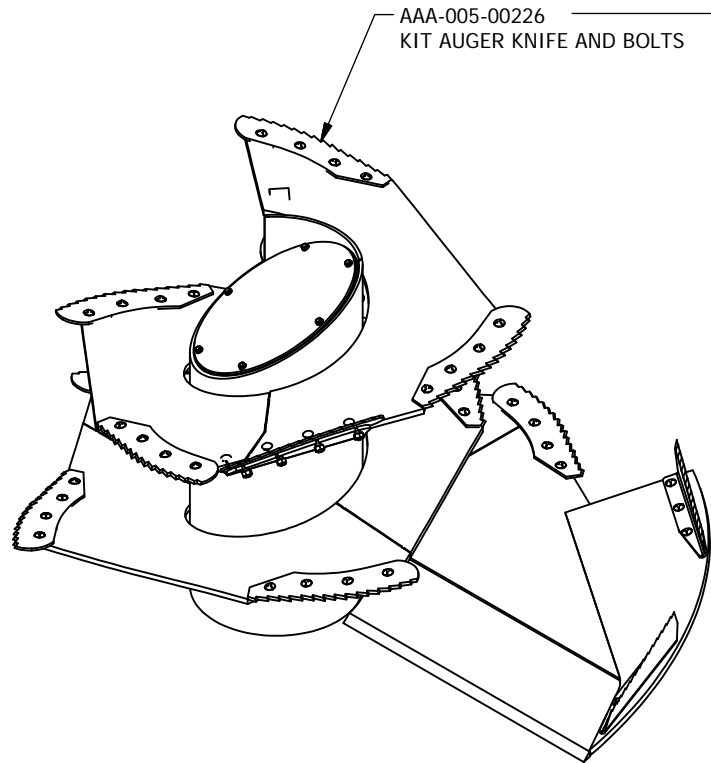
| | | | | | | | |
|---------------------------|---------|--------------|----|------|-------------|-------------------|----|
| UNITS | PAPER A | SHEET 3 OF 4 | R# | DATE | DESCRIPTION | DR | CK |
| TITLE KIT ALEXANDER KNIFE | | | | | FILE NO | AAA-054-00055.idw | |

| | |
|-----|----------|
| DR | BVV |
| DAT | 2/7/2011 |
| MAT | |

| | |
|---|----------|
| TOLERANCES (UNLESS SPECIFIED OTHERWISE) | |
| FRACTIONAL | ± 1/16" |
| DEC X.X | ± 0.1" |
| DEC X.XX | ± 0.06" |
| DEC X.XXX | ± 0.031" |
| ANGULAR | ± 0.5° |

JAY•LOR
Fabricating Inc

CONFIDENTIAL: THESE DRAWINGS AND COPIES THEREOF REMAIN THE PROPERTY OF JAY-LOR FABRICATING INC. ANY PERSON FOUND UNLAWFULLY USING, DISTRIBUTING, OR IN POSSESSION OF THE ABOVE WILL BE PROSECUTED

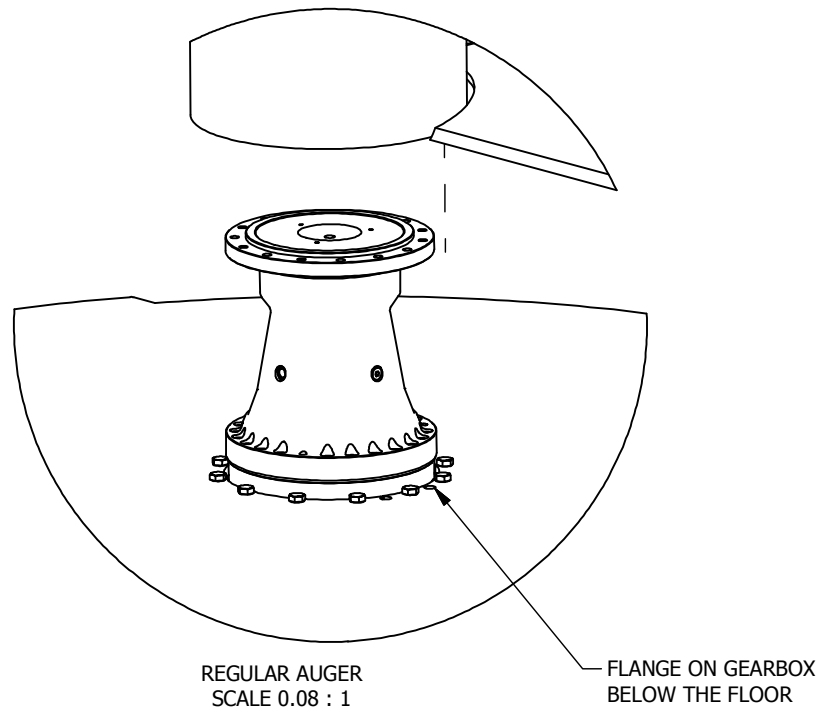
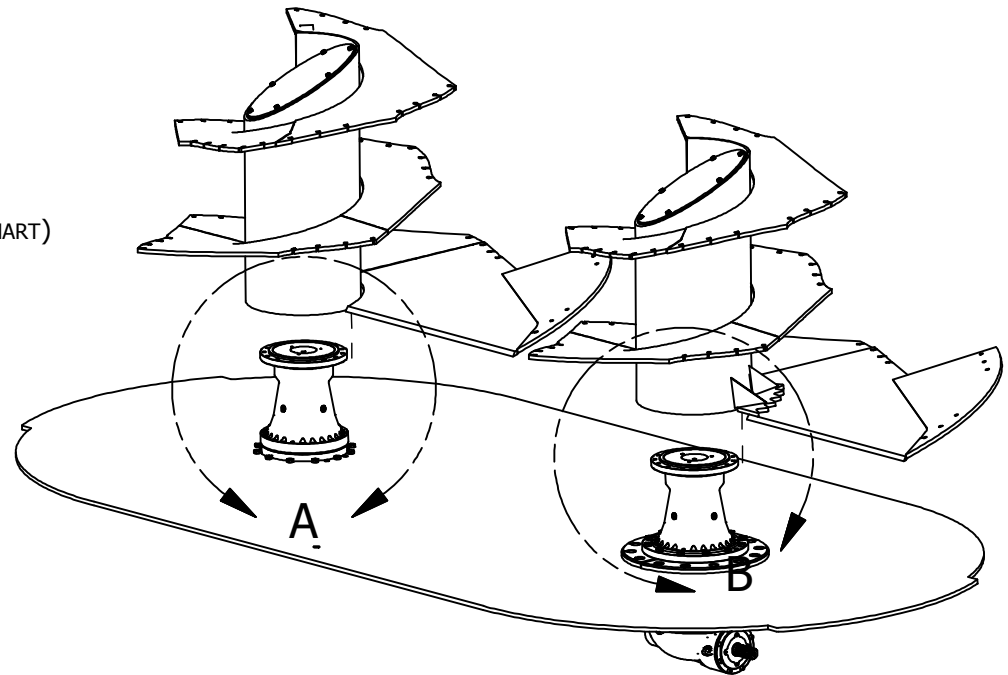


| | | | | | | | | | | | | |
|---|--|---------------------------|--------------|----|------|-------------|---------|-------------------|-----|--|---|--|
| UNITS | | PAPER A | SHEET 4 OF 4 | R# | DATE | DESCRIPTION | DR | CK | MAT | DR LVandergaag | TOLERANCES (UNLESS SPECIFIED OTHERWISE) | JAY•LOR <i>Fabricating Inc</i> |
| TITLE | | 4000 SERIES KNIFE OPTIONS | | | | | FILE NO | AAA-054-00055.idw | | DAT 2/7/2011 FRACTIONAL ± 1/16" DEC X.X ± 0.1" DEC X.XX ± 0.06" DEC X.XXX ± 0.031" ANGULAR ± 0.5° | | |
| CONFIDENTIAL: THESE DRAWINGS AND COPIES THEREOF REMAIN THE PROPERTY OF JAY-LOR FABRICATING INC. ANY PERSON FOUND UNLAWFULLY USING, DISTRIBUTING, OR IN POSSESSION OF THE ABOVE WILL BE PROSECUTED | | | | | | | | | | | | |

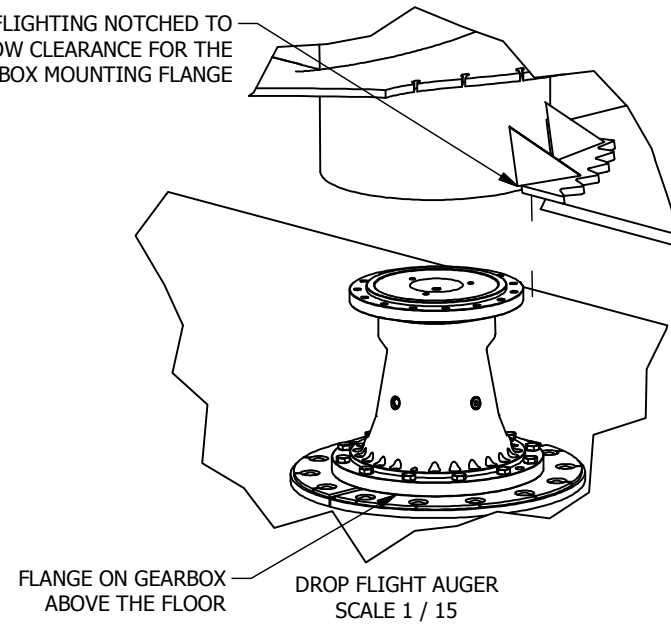
GUIDE TO ORDERING REPLACEMENT AUGERS

1. Determine which auger you require.
 - A). Regular or Dropped Flight (See Figure 1 and Figure 2)
 - B). Size of Auger (See JAYLOR MODEL # AND AUGER SIZE REFERENCE CHART)

JAYLOR CURRENTLY OFFERS 3000 SERIES AND 4000 SERIES AUGER FOR NEW AND REPLACEMENT AUGER SALES.
PLEASE CONSULT YOUR LOCAL DEALER TO DETERMINE WHICH AUGER IS BEST FOR YOUR APPLICATION.



AUGER FLIGHTING NOTCHED TO ALLOW CLEARANCE FOR THE GEARBOX MOUNTING FLANGE



DR LVandergaag

DAT 2/8/2011

MAT

TOLERANCES (UNLESS SPECIFIED OTHERWISE)
 FRACTIONAL ± 1/16"
 DEC X.X ± 0.1"
 DEC X.XX ± 0.06"
 DEC X.XXX ± 0.031"
 ANGULAR ± 0.5°

JAY•LOR
Fabricating Inc

| | | | | | | | |
|-------|---------|--------------|----|------|-------------|----|----|
| UNITS | PAPER A | SHEET 1 OF 1 | R# | DATE | DESCRIPTION | DR | CK |
|-------|---------|--------------|----|------|-------------|----|----|

TITLE GUIDE TO ORDERING A REPLACEMENT AUGER

FILE NO AAA-054-00056.idw

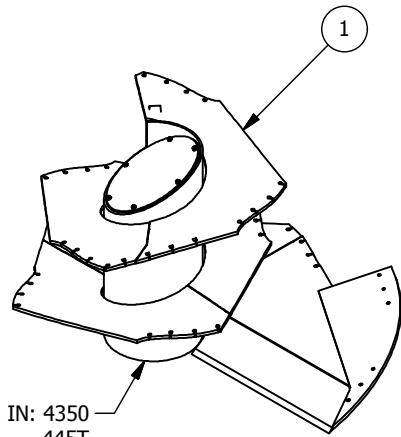
CONFIDENTIAL: THESE DRAWINGS AND COPIES THEREOF REMAIN THE PROPERTY OF JAY-LOR FABRICATING INC. ANY PERSON FOUND UNLAWFULLY USING, DISTRIBUTING, OR IN POSSESSION OF THE ABOVE WILL BE PROSECUTED

Jaylor Model # and Auger Size Reference Chart:

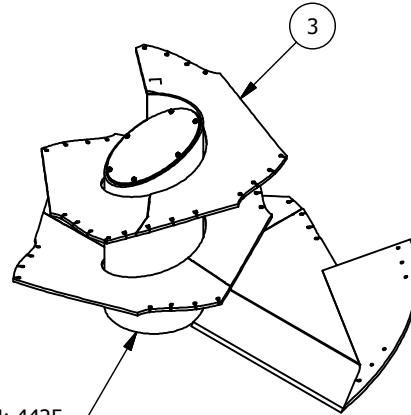
| Series | Model | 90" | 96" | 101.5" | 101.5" LP |
|--|----------|----------------|----------------|----------------------------------|---------------|
| 100 | 300 | X | | | |
| | 350 | X | | | |
| | 500 | | X | | |
| | 600 | | X | | |
| 1000 | 1300 | X | | | |
| | 1350 | X | | | |
| | 1500 | | X | | |
| | 1600 | | X | | |
| 2000 | 2300 | X | | | |
| | 2350 | X | | | |
| | 2425 | | X | | |
| | 2575 | | | X | |
| | 2700 | | | X | |
| | 2725 | X | | | |
| | 2875 | | X | | |
| | 21000 | | | X | |
| 3000 | 3300 | X | | | |
| | 3350 | X | | | |
| | 3425 | | X | | |
| | 3575 | | | X | |
| | 3650 | X | | | |
| | 3750 | X | | | |
| | 3875 | | X | | |
| | 31000 | | | X | |
| 4000 | 4350 | X | | | |
| | 4405 | | | | X |
| | 4425 | | X | | |
| | 4575 | | | X | |
| | 4650 | X | | | |
| | 4750 | X | | | |
| | 4850 | | X | | |
| | 4990 | | X | | |
| | 4850 HD | | X | | |
| | 41000 HD | | | X | |
| | 41250 HD | | | X | |
| Total Mix | 445T | X | | | |
| | LP505T | | | | X |
| | 525T | | X | | |
| | 610T | | | X | |
| | | ↓ | ↓ | ↓ | ↓ |
| 4000 Series Slide Plate Auger | → | AAA-005-00060 | AAA-005-00069 | AAA-005-00063 | AAA-005-00121 |
| 4000 Series Slide Plate Auger with Dropped Flight | → | AAA-005-00068* | AAA-005-00070* | N/A | N/A |
| 4000 HD 3/4" Series Auger (41250) | → | AAA-005-00265 | AAA-005-00238 | AAA-005-00251 (AAA-005-00296) | AAA-005-00283 |
| 3000 HD 3/4" Series Auger | → | AAA-005-00270 | AAA-005-00246 | AAA-005-00249 (N/A for 41250) | N/A |
| 3000 Series Auger | → | AAA-005-00093 | AAA-005-00094 | AAA-005-00099 | AAA-005-00004 |
| 3000 Series Auger with Dropped Flight | → | AAA-005-00024* | AAA-005-00025* | AAA-005-00023* | N/A |
| Part Numbers with * are only applicable to 4000 series mixers. | | | | | |
| Machine Serial # must be provided with the order to guarantee the correct auger will be sent. | | | | | |

Parts List

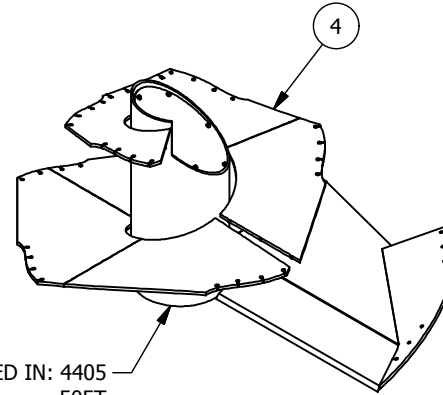
| ITEM | PART NUMBER | TITLE | QTY |
|------|---------------|------------------------------------|-----|
| 1 | AAA-005-00060 | 4000 SERIES AUGER ASSY 90DIA | 1 |
| 2 | AAA-005-00063 | 4000 SERIES AUGER ASSY 101.5DIA | 1 |
| 3 | AAA-005-00069 | 4000 SERIES AUGER ASSY 96DIA | 1 |
| 4 | AAA-005-00121 | 4000 SERIES AUGER ASSY 101.5DIA LP | 1 |



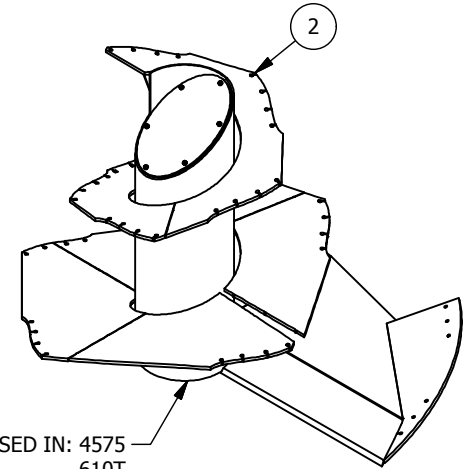
USED IN: 4350
445T
4650
4750



USED IN: 4425
525T
4850
4990

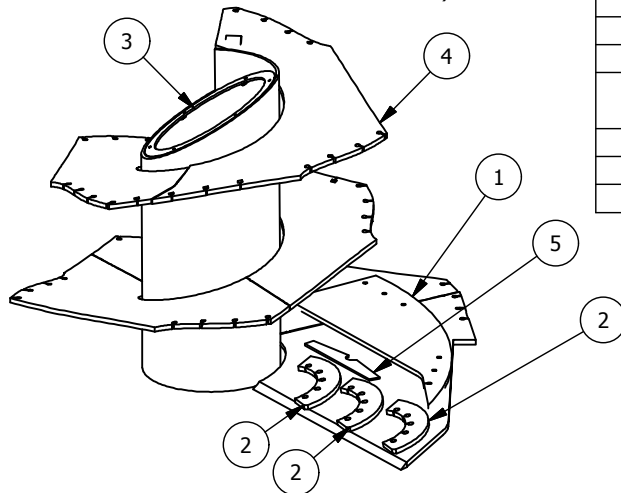


USED IN: 4405
505T



USED IN: 4575
610T

COMPLETE 4000 SERIES SLIDE PLATE AUGER
(90° AUGER SHOWN AS SHIPPED FOR PARTS ORDERS)



Parts List

| ITEM | PART NUMBER | TITLE | QTY |
|------|---------------|---------------------------------|-----|
| 1 | AAA-005-00056 | 90DIA SLIDE PLATE | 1 |
| 2 | AAA-005-00061 | FASTENING RING FOR PG1602 | 3 |
| 3 | AAA-005-00066 | 4000 SERIES AUGER CAP | 1 |
| 4 | AAA-005-00129 | 4000 SERIES AUGER CUTTING 90DIA | 1 |
| 5 | AAA-051-00076 | SLIDE PLT ANGLE JIG | 1 |
| 6 | AAB-015-10056 | BOLT HEX 3/8 X 1 UNC GRD 2 | 6 |
| 7 | AAB-015-30017 | WSHR LOCK 3/8 | 6 |

NOTE:

ALL 4000 SERIES AUGER SHIPPED AS PARTS ORDER REQUIRE END USER / DEALER WELDING AND FITTING.

ALL PARTS ORDER AUGERS SHALL BE SHIPPED WITH TSB 050-014 TO ASSIST IN THE INSTALLATION OF THESE AUGERS

DR LVandergaag

DAT 2/4/2011

MAT

TOLERANCES (UNLESS SPECIFIED OTHERWISE)
FRACTIONAL ± 1/16"
DEC X.X ± 0.1"
DEC X.XX ± 0.06"
DEC X.XXX ± 0.031"
ANGULAR ± 0.5°

JAY-LOR
Fabricating Inc

UNITS PAPER A SHEET 1 OF 1 R# DATE DESCRIPTION DR CK

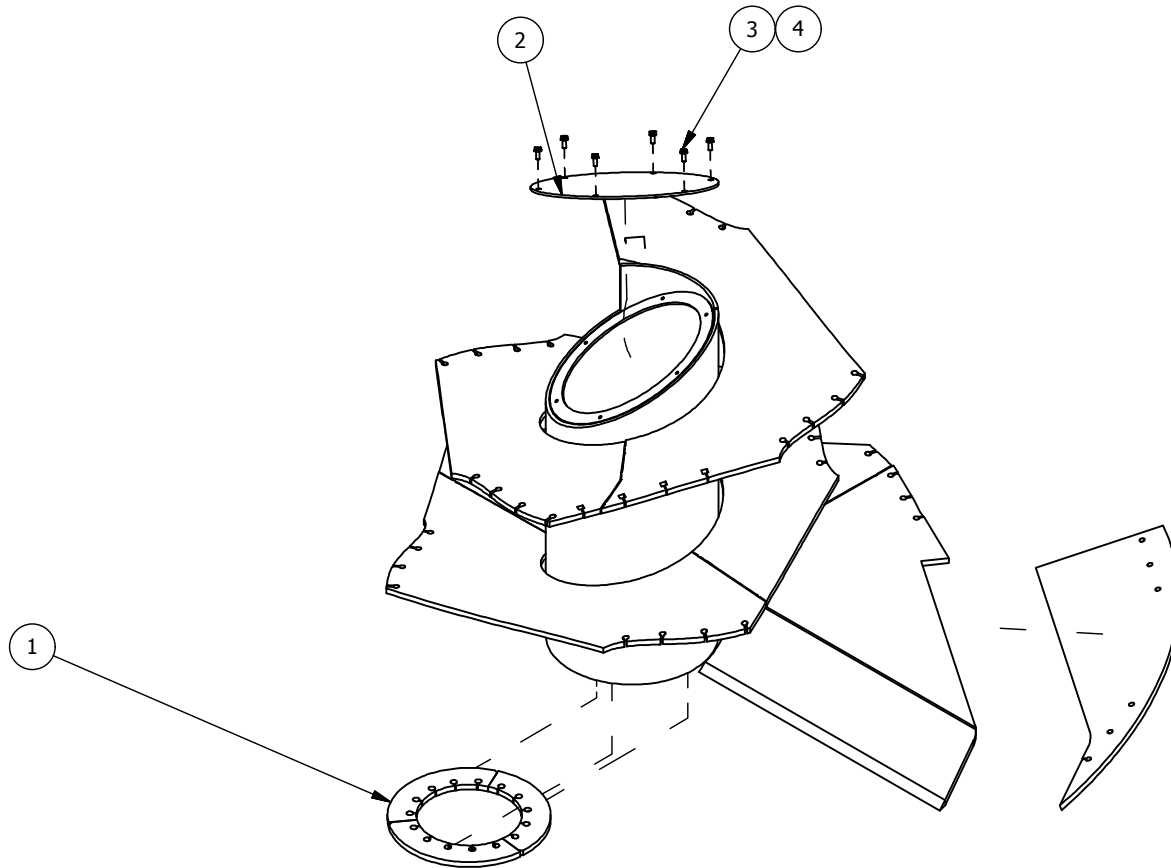
TITLE 4000 SERIES SLIDE PLATE AUGERS

FILE NO AAA-054-00054.idw

CONFIDENTIAL: THESE DRAWINGS AND COPIES THEREOF REMAIN THE PROPERTY OF JAY-LOR FABRICATING INC. ANY PERSON FOUND UNLAWFULLY USING, DISTRIBUTING, OR IN POSSESSION OF THE ABOVE WILL BE PROSECUTED

Parts List

| ITE | PART NUMBER | TITLE | QTY |
|-----|---------------|----------------------------------|-----|
| 1 | AAA-005-00062 | AUGER RING WELDMENT (1602, 1603) | 1 |
| 2 | AAA-005-00066 | 4000 SERIES AUGER CAP | 1 |
| 3 | AAB-015-10056 | BOLT HEX 3/8 X 1 UNC GRD 2 | 6 |
| 4 | AAB-015-30017 | WSHR LOCK 3/8 | 6 |



| | | | |
|-----|----------|---|-----------------------------------|
| DR | LMV | TOLERANCES (UNLESS SPECIFIED OTHERWISE) FRACTIONAL ± 1/16" DEC X.X ± 0.1" DEC X.XX ± 0.06" DEC X.XXX ± 0.031" ANGULAR ± 0.5° | JAY•LOR Fabricating Inc |
| DAT | 6/9/2009 | | |
| MAT | | | |

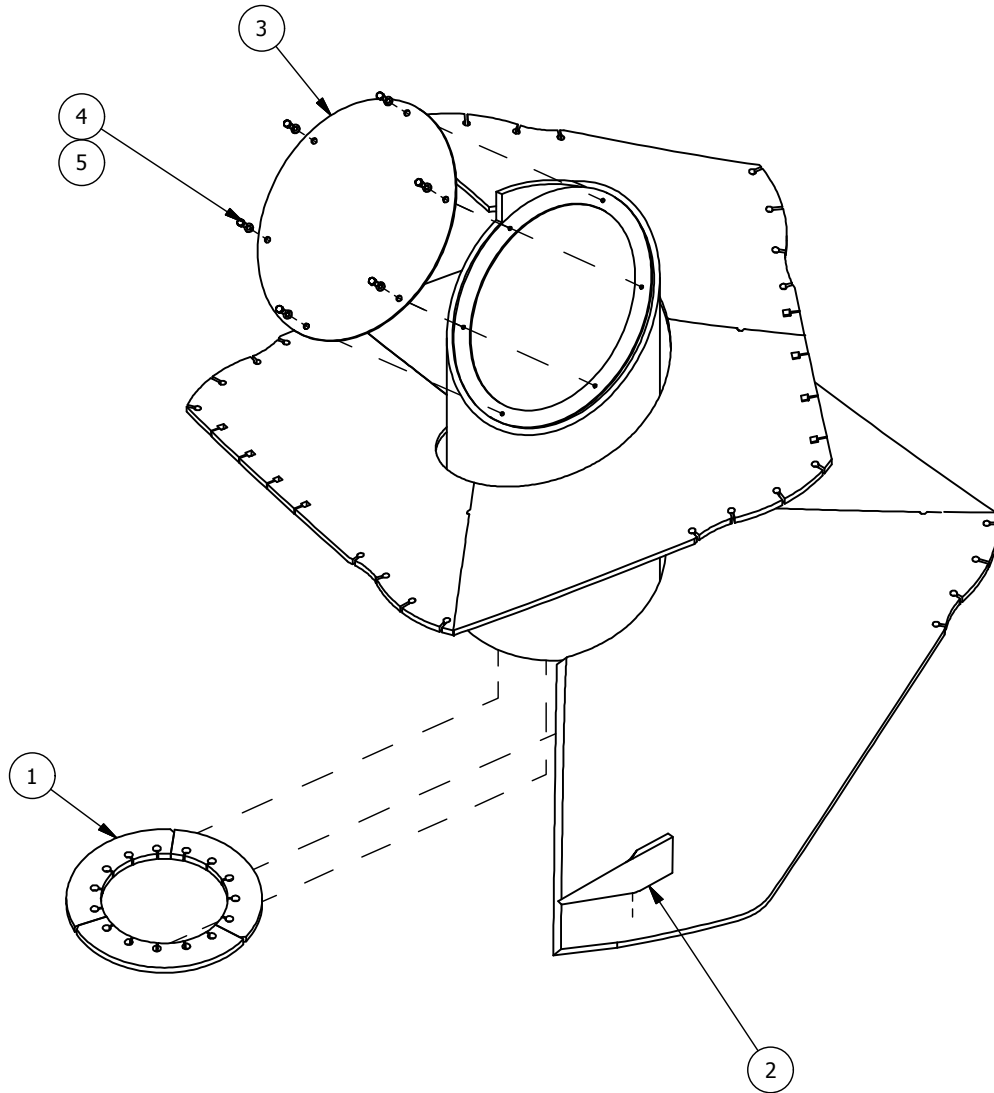
| | | | | | | | |
|-------|---------|--------------|----|------|-------------|----|----|
| UNITS | PAPER A | SHEET 1 OF 1 | R# | DATE | DESCRIPTION | DR | CK |
|-------|---------|--------------|----|------|-------------|----|----|

TITLE REPLACEMENT PARTS PRODUCTION AUGERS

FILE NO AAA-054-00026.idw

CONFIDENTIAL: THESE DRAWINGS AND COPIES THEREOF REMAIN THE PROPERTY OF JAY-LOR FABRICATING INC. ANY PERSON FOUND UNLAWFULLY USING, DISTRIBUTING, OR IN POSSESSION OF THE ABOVE WILL BE PROSECUTED

| Parts List | | | |
|------------|---------------|----------------------------------|-----|
| ITEM | PART NUMBER | TITLE | QTY |
| 1 | AAA-005-00062 | AUGER RING WELDMENT (1602, 1603) | 1 |
| 2 | AAA-005-00085 | ANGLING BLADE | 1 |
| 3 | AAA-005-00086 | 3000 SERIES AUGER CAP | 1 |
| 4 | AAB-015-10056 | BOLT HEX 3/8 X 1 UNC GRD 2 | 6 |
| 5 | AAB-015-30017 | WSHR LOCK 3/8 | 6 |



| | | | |
|-----|-----------|---|------------------------------------|
| DR | LMV | TOLERANCES (UNLESS SPECIFIED OTHERWISE) FRACTIONAL ± 1/16" DEC X.X ± 0.1" DEC X.XX ± 0.06" DEC X.XXX ± 0.031" ANGULAR ± 0.5° | JAY•LOR® Fabricating Inc |
| DAT | 11/1/2012 | | |
| MAT | | | |

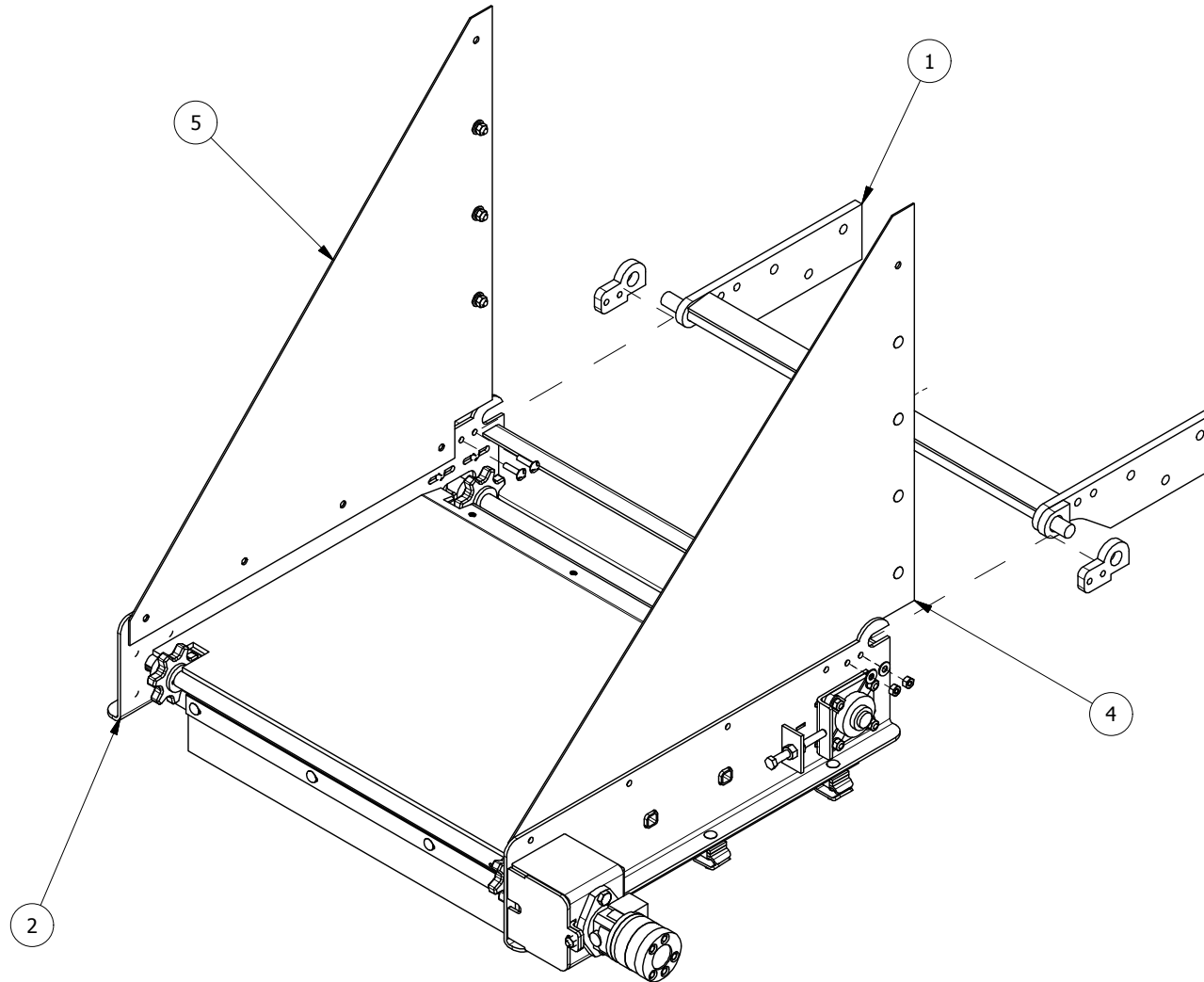
| | | | | | | | |
|---|---------|--------------|----|------|-------------|------------------------------|----|
| UNITS | PAPER A | SHEET 1 OF 1 | R# | DATE | DESCRIPTION | DR | CK |
| TITLE REPLACEMENT PARTS PRODUCTION AUGERS | | | | | | FILE NO AAA-054-00026(B).idw | |

CONFIDENTIAL: THESE DRAWINGS AND COPIES THEREOF REMAIN THE PROPERTY OF JAY-LOR FABRICATING INC. ANY PERSON FOUND UNLAWFULLY USING, DISTRIBUTING, OR IN POSSESSION OF THE ABOVE WILL BE PROSECUTED

K. 006 – CONVEYOR PARTS**Drawing Number Reference Chart:**

| Part | Model | | | |
|---------------------------|---------------|------|------|------|
| | 4650 | 4750 | 4850 | 4990 |
| 36" Assembly | AAA-006-00191 | | | |
| 36" Base Assy | AAA-006-00603 | | | |
| 41" Wing | AAA-006-00129 | | | |
| 60" Wing | AAA-006-00803 | | | |
| 72" Wing | AAA-006-00127 | | | |
| 6' Flat Conveyor | AAA-006-00131 | | | |
| 6'41" Lth Base Assy | AAA-006-00059 | | | |
| 6'41" Rth Base Assy | AAA-006-00625 | | | |
| 6'41" Lth Assy | AAA-006-00992 | | | |
| 6'41" Rth Assy | AAA-006-00991 | | | |
| 6'60" Lth Base Assy | AAA-006-00842 | | | |
| 6'60" Rth Base Assy | AAA-006-00843 | | | |
| 6'60" Lth Assy | AAA-006-00994 | | | |
| 6'60" Rth Assy | AAA-006-00993 | | | |
| 6'72" Lth Base Assy | AAA-006-00012 | | | |
| 6'72" Rth Base Assy | AAA-006-00626 | | | |
| 6'72" Lth Assy | AAA-006-00996 | | | |
| 6'72" Rth Assy | AAA-006-00995 | | | |
| 8' Flat Conveyor | AAA-006-00988 | | | |
| 8' Flat Base Assy | AAA-006-00128 | | | |
| 9'2" Flat Conveyor | AAA-006-00990 | | | |
| 9'2" Flat Base Assy | AAA-006-00132 | | | |
| Magnet Chute | AAA-006-00545 | | | |
| Conveyor Driveshaft Assy | AAA-006-00617 | | | |
| Conveyor Idler Shaft Assy | AAA-006-00618 | | | |
| Dual Boot Kit | AAA-006-00490 | | | |
| Conveyor Pivot Pin | AAA-006-00616 | | | |
| Corner Door Chute | AAA-054-00016 | | | |

| Parts List | | | |
|------------|---------------|---|-----|
| ITE | PART NUMBER | TITLE | QTY |
| 1 | AAA-006-00328 | PIVOT PIN WELDMNT 3FT WING | 1 |
| 2 | AAA-006-00603 | CNVR ASSY 36 | 1 |
| 3 | AAA-009-00144 | KIT HYD HOSE AND FIT FRT RTH 3FT CNVR | 1 |
| 4 | AAA-006-00190 | RUBBER SHIELD 3FT CONVEYOR MOTOR SIDE | 1 |
| 5 | AAA-006-00187 | RUBBER SHIELD FOR 3FT CONVEYOR WING OPPOSITE MOTOR SIDE | 1 |



| | | | |
|-----|-----------|---|-----------------------------------|
| DR | BVV | TOLERANCES (UNLESS SPECIFIED OTHERWISE) FRACTIONAL ± 1/16" DEC X.X ± 0.1" DEC X.XX ± 0.06" DEC X.XXX ± 0.031" ANGULAR ± 0.5° | JAY•LOR Fabricating Inc |
| DAT | 1/20/2012 | | |
| MAT | | | |

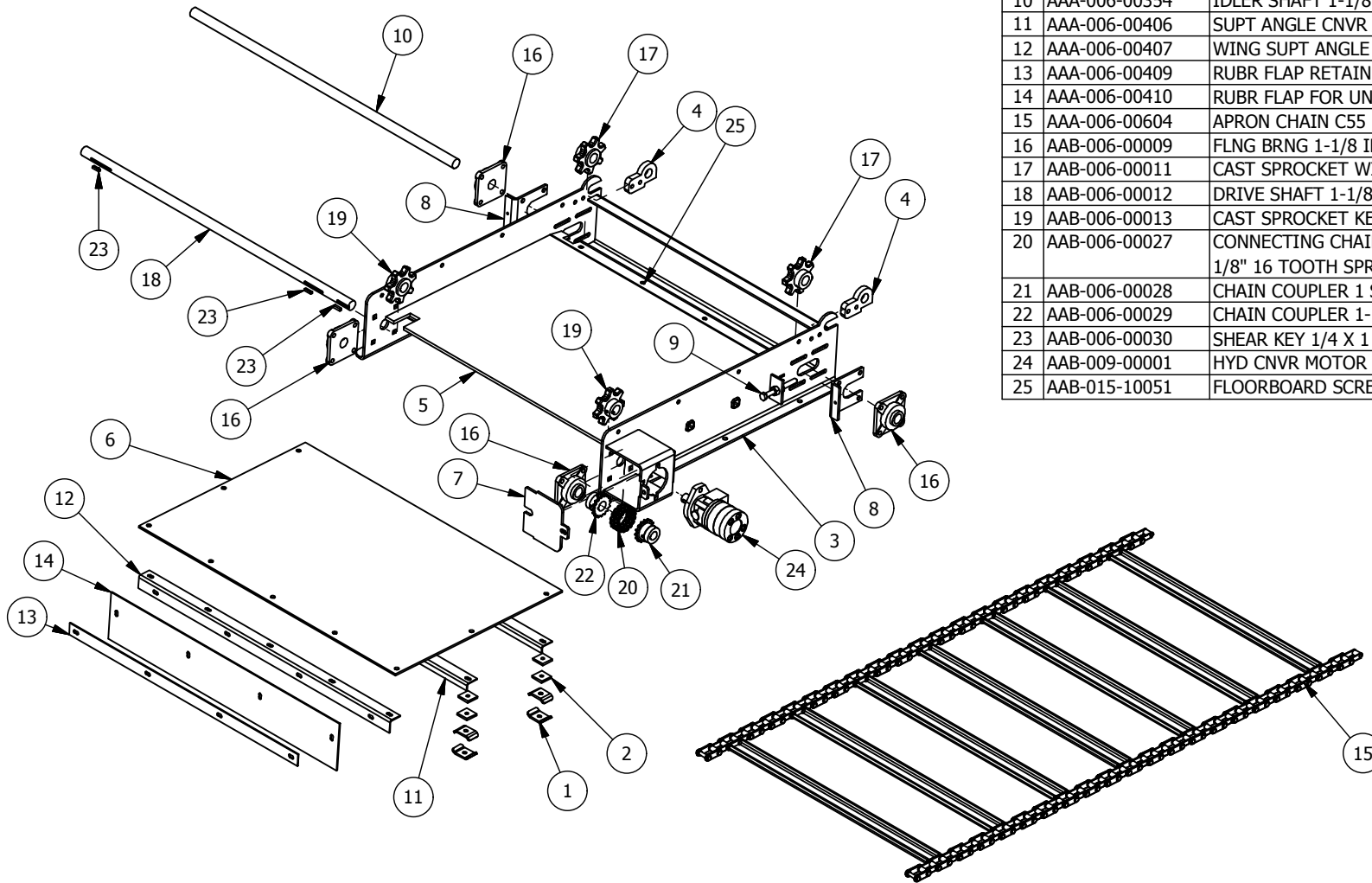
| | | | | | | | |
|-------|---------|--------------|----|------|-------------|----|----|
| UNITS | PAPER A | SHEET 2 OF 2 | R# | DATE | DESCRIPTION | DR | CK |
|-------|---------|--------------|----|------|-------------|----|----|

TITLE CNVR ASSY 36

FILE NO AAA-006-00191.idw

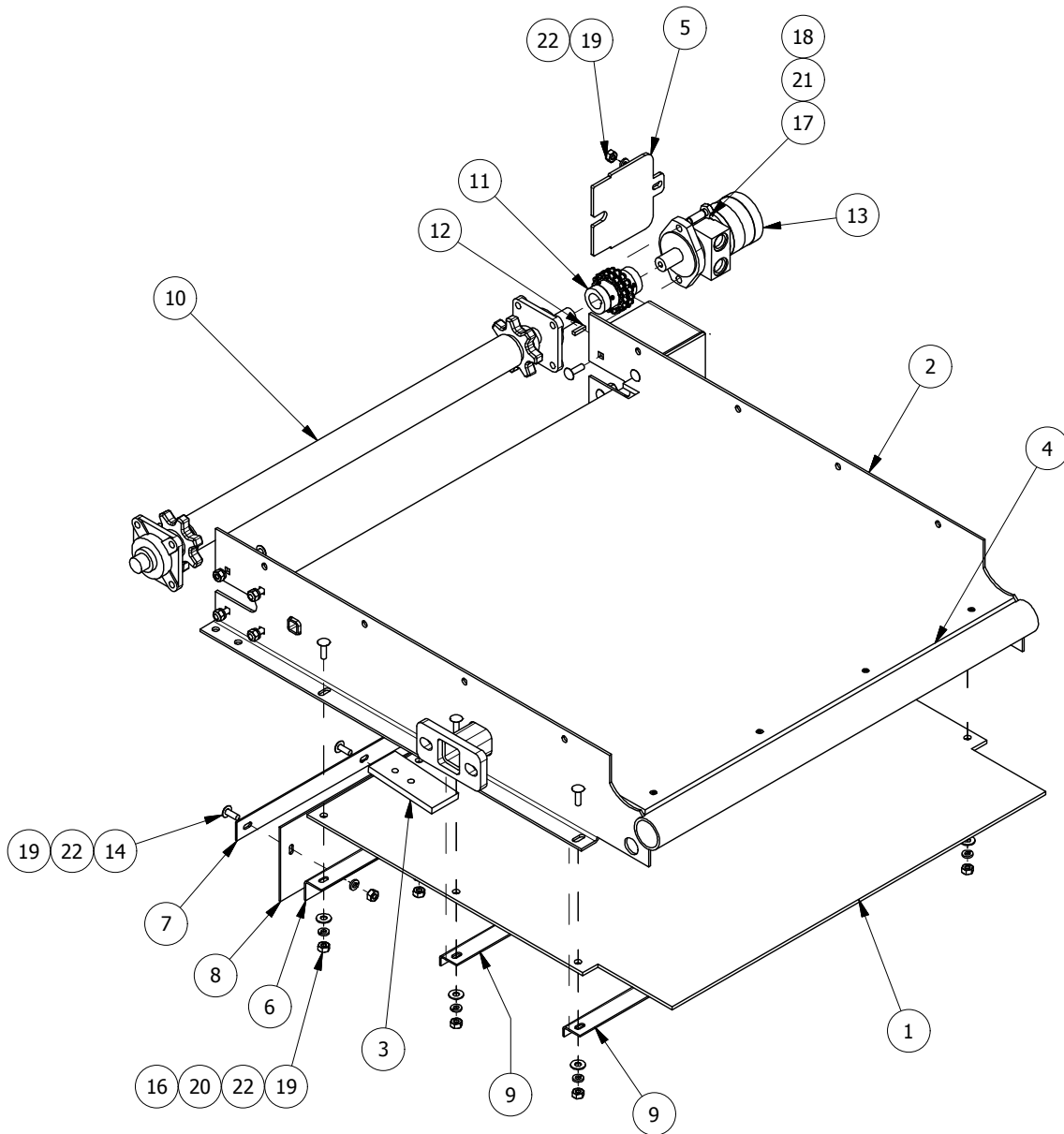
CONFIDENTIAL: THESE DRAWINGS AND COPIES THEREOF REMAIN THE PROPERTY OF JAY-LOR FABRICATING INC. ANY PERSON FOUND UNLAWFULLY USING, DISTRIBUTING, OR IN POSSESSION OF THE ABOVE WILL BE PROSECUTED

| Parts List | | | |
|------------|---------------|--|-----|
| ITE | PART NUMBER | TITLE | QTY |
| 1 | AAA-002-00343 | HYD HOSE CLIP | 4 |
| 2 | AAA-006-00135 | PLASTIC SPCR 1/4T | 4 |
| 3 | AAA-006-00192 | CNVR WING 3FT WELDMENT | 1 |
| 4 | AAA-006-00196 | 5/8T HINGE REINFORCEMENT FOR 36 CNVR WALL | 2 |
| 5 | AAA-006-00207 | HDPE FLR 3FT WING CNVR 3/8T | 1 |
| 6 | AAA-006-00208 | POLY UNDERSHIELD 3FT WING CNVR | 1 |
| 7 | AAA-006-00272 | REMOVABLE CNVR MOTOR MNT COVER 3/16T | 1 |
| 8 | AAA-006-00351 | CNVR FLNG BRNG HOLDER | 2 |
| 9 | AAA-006-00352 | BOLT HEX FULL THREAD MOD 1/2 X 5 X 13 | 2 |
| 10 | AAA-006-00354 | IDLER SHAFT 1-1/8DIA X 40-1/4L COLD RLD | 1 |
| 11 | AAA-006-00406 | SUPT ANGLE CNVR BOTTOM SHIELD | 2 |
| 12 | AAA-006-00407 | WING SUPT ANGLE AND RUBR SHIELD MNT | 1 |
| 13 | AAA-006-00409 | RUBR FLAP RETAINER FB | 1 |
| 14 | AAA-006-00410 | RUBR FLAP FOR UNDERSIDE OF CNVR | 1 |
| 15 | AAA-006-00604 | APRON CHAIN C55 3FT WING | 1 |
| 16 | AAB-006-00009 | FLNG BRNG 1-1/8 ID | 4 |
| 17 | AAB-006-00011 | CAST SPROCKET WITH SET SCRW FOR IDLER | 2 |
| 18 | AAB-006-00012 | DRIVE SHAFT 1-1/8DIA X 41L COLD RLD | 1 |
| 19 | AAB-006-00013 | CAST SPROCKET KEYED | 2 |
| 20 | AAB-006-00027 | CONNECTING CHAIN, DOUBLE WIDTH, FOR 1" TO 1 1/8" 16 TOOTH SPROCKETS (# 40) | 1 |
| 21 | AAB-006-00028 | CHAIN COUPLER 1 SHAFT | 1 |
| 22 | AAB-006-00029 | CHAIN COUPLER 1-1/8 SHAFT | 1 |
| 23 | AAB-006-00030 | SHEAR KEY 1/4 X 1 | 3 |
| 24 | AAB-009-00001 | HYD CNVR MOTOR 1 KEYED | 1 |
| 25 | AAB-015-10051 | FLOORBOARD SCREW 1/4 X 1" TORX HEAD | 4 |



| | | | | | | | |
|--------------------|---------|--------------|----|------|---------------------------|----|----|
| UNITS | PAPER A | SHEET 3 OF 4 | R# | DATE | DESCRIPTION | DR | CK |
| TITLE CNVR ASSY 36 | | | | | FILE NO AAA-006-00603.idw | | |

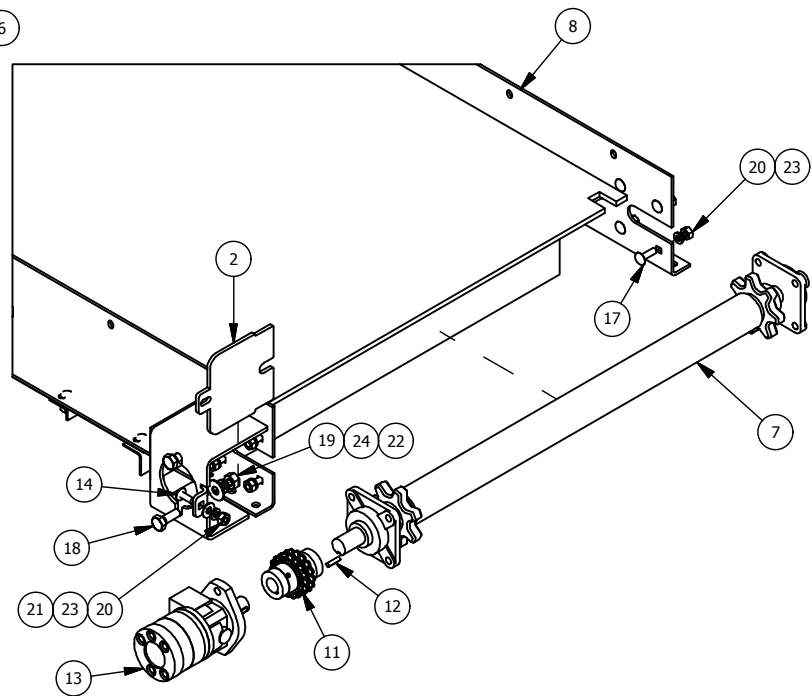
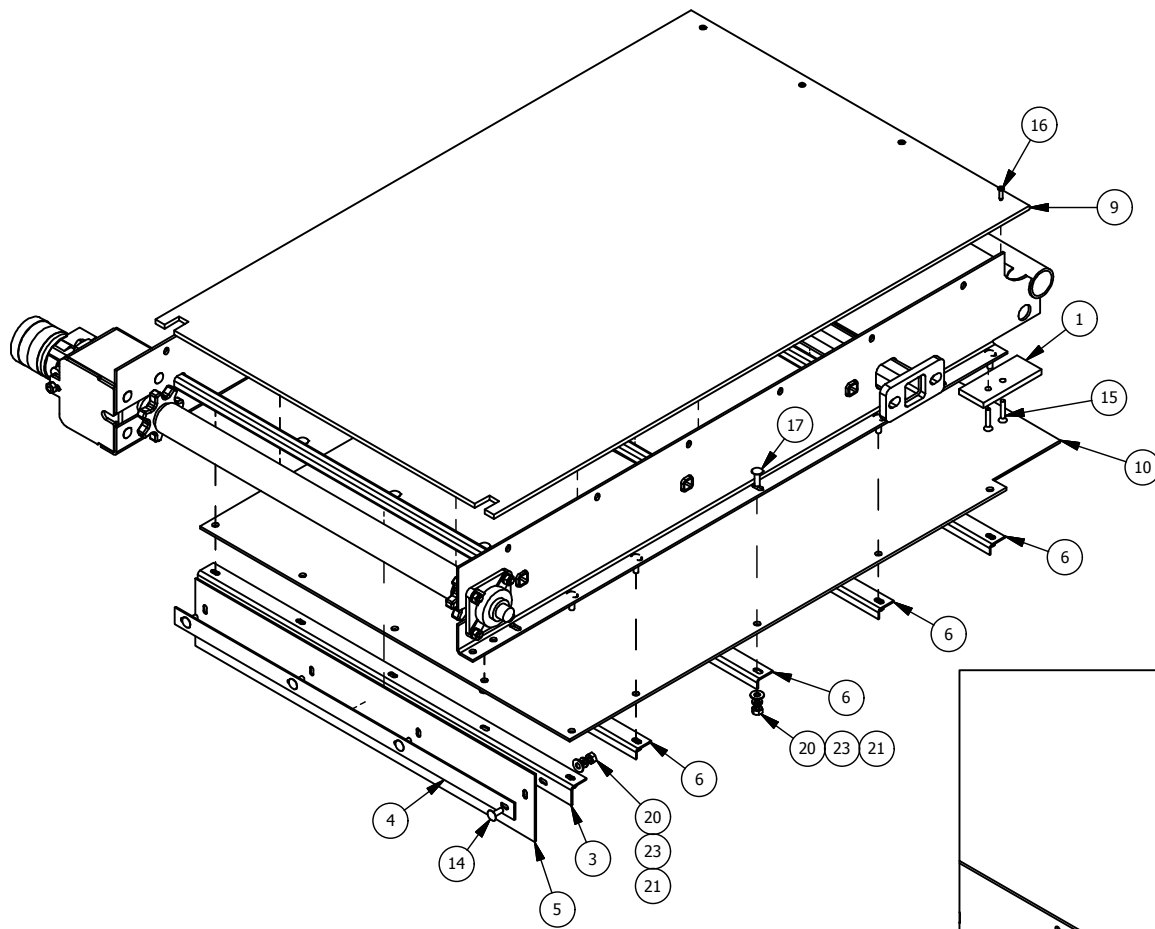
| | | |
|---|---|-----------------------------------|
| DR BVV | TOLERANCES (UNLESS SPECIFIED OTHERWISE) FRACTIONAL ± 1/16" DEC X.X ± 0.1" DEC X.XX ± 0.06" DEC X.XXX ± 0.031" ANGULAR ± 0.5° | JAY•LOR Fabricating Inc |
| DAT 1/23/2012 | | |
| MAT | | |
| CONFIDENTIAL: THESE DRAWINGS AND COPIES THEREOF REMAIN THE PROPERTY OF JAY-LOR FABRICATING INC. ANY PERSON FOUND UNLAWFULLY USING, DISTRIBUTING, OR IN POSSESSION OF THE ABOVE WILL BE PROSECUTED | | |



| Parts List | | | |
|------------|---------------|-------------------------------------|-----|
| ITEM | PART NUMBER | TITLE | QTY |
| 1 | AAA-006-00039 | POLY UNDERSHIELD 41 WING CNVR | 1 |
| 2 | AAA-006-00049 | CNVR WING 41 WELDMNT GALVANIZED | 1 |
| 3 | AAA-006-00068 | WEAR PLT | 2 |
| 4 | AAA-006-00237 | HDPE FLR 41 WING CNVR 3/8T | 1 |
| 5 | AAA-006-00272 | GALVANIZING MOTOR COVER PLT 1/4T | 1 |
| 6 | AAA-006-00407 | WING SUPT ANGLE AND RUBR SHIELD MNT | 1 |
| 7 | AAA-006-00409 | RUBR FLAP RETAINER FB | 1 |
| 8 | AAA-006-00410 | RUBR FLAP FOR UNDERSIDE OF CNVR | 1 |
| 9 | AAA-006-00421 | SUPT ANGLE CNVR BOTTOM SHIELD | 2 |
| 10 | AAA-006-00617 | CNVR DRIVESHAFT ASSY | 1 |
| 11 | AAB-006-00026 | CNVR CHAIN COUPLER ASSY | 1 |
| 12 | AAB-006-00030 | SHEAR KEY 1/4 X 1 | 1 |
| 13 | AAB-009-00001 | HYD CNVR MOTOR 1 KEYED | 1 |
| 14 | AAB-015-10028 | BOLT CARRIAGE 3/8 X 1 UNC | 4 |
| 15 | AAB-015-10051 | FLOORBOARD SCREW 1/4 X 1" TORX HEAD | 8 |
| 16 | AAB-015-10060 | BOLT CARRIAGE 3/8 X 1-1/4 UNC GRD 2 | 18 |
| 17 | AAB-015-10063 | BOLT HEX 1/2 X 1-1/2 UNC GRD 5 | 2 |
| 18 | AAB-015-20011 | NUT HEX 1/2 UNC GRD 5 | 2 |
| 19 | AAB-015-20017 | NUT HEX 3/8 UNC GRD 2 | 22 |
| 20 | AAB-015-30012 | WSHR FLAT 3/8 USS | 14 |
| 21 | AAB-015-30013 | WSHR FLAT 1/2 USS | 2 |
| 22 | AAB-015-30017 | WSHR LOCK 3/8 | 22 |
| 23 | AAB-015-30018 | WSHR LOCK 1/2 | 2 |

| | | | | | | | | | | |
|-------|-------------------|-------|---|-------|--------|----|------|-------------|---------|-------------------|
| UNITS | EACH | PAPER | A | SHEET | 1 OF 2 | R# | DATE | DESCRIPTION | DR | CK |
| TITLE | CNVR WING ASSY 41 | | | | | | | | FILE NO | AAA-006-00129.idw |

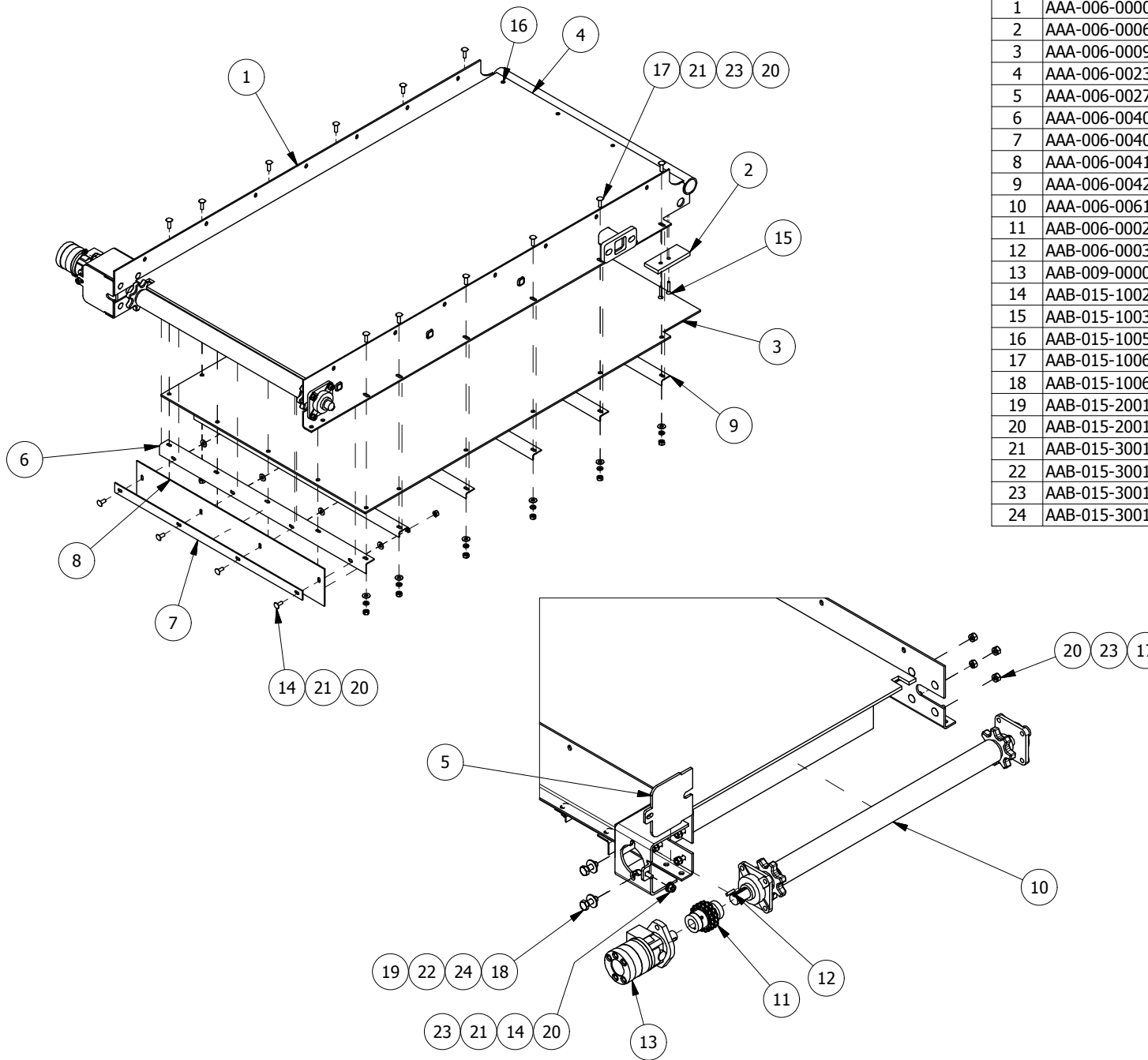
| | | | |
|--|-----------|---|--|
| DR | BCN | TOLERANCES (UNLESS SPECIFIED OTHERWISE) FRACTIONAL ± 1/16" DEC X.X ± 0.1" DEC X.XX ± 0.06" DEC X.XXX ± 0.031" ANGULAR ± 0.5° | |
| DAT | 5/31/2007 | | |
| MAT | | | |
| <small>CONFIDENTIAL: THESE DRAWINGS AND COPIES THEREOF REMAIN THE PROPERTY OF JAY-LOR FABRICATING INC. ANY PERSON FOUND UNLAWFULLY USING, DISTRIBUTING, OR IN POSSESSION OF THE ABOVE WILL BE PROSECUTED</small> | | | |



| Parts List | | | |
|------------|---------------|-------------------------------------|-----|
| ITEM | PART NUMBER | TITLE | QTY |
| 1 | AAA-006-00068 | WEAR PLT | 2 |
| 2 | AAA-006-00272 | GALVANIZING MOTOR COVER PLT 1/4T | 1 |
| 3 | AAA-006-00407 | WING SUPT ANGLE AND RUBR SHIELD MNT | 1 |
| 4 | AAA-006-00409 | RUBR FLAP RETAINER FB | 1 |
| 5 | AAA-006-00410 | RUBR FLAP FOR UNDERSIDE OF CNVR | 1 |
| 6 | AAA-006-00421 | SUPT ANGLE CNVR BOTTOM SHIELD | 4 |
| 7 | AAA-006-00617 | CNVR DRIVESHAFT ASSY | 1 |
| 8 | AAA-006-00824 | CNVR WING 5FT WELDMENT GALVANIZED | 1 |
| 9 | AAA-006-00826 | HDPE FLR 5FT WING CNVR 3/8T | 1 |
| 10 | AAA-006-00827 | POLY UNDERSHIELD 5FT WING CNVR | 1 |
| 11 | AAB-006-00026 | CNVR CHAIN COUPLER ASSY | 1 |
| 12 | AAB-006-00030 | SHEAR KEY 1/4 X 1 | 1 |
| 13 | AAB-009-00001 | HYD CNVR MOTOR 1 KEYED | 1 |
| 14 | AAB-015-10028 | BOLT CARRIAGE 3/8 X 1 UNC | 5 |
| 15 | AAB-015-10031 | BOLT TORX 5/16 X 1 1/2 UNC | 4 |
| 16 | AAB-015-10051 | FLOORBOARD SCREW 1/4 X 1" TORX HEAD | 4 |
| 17 | AAB-015-10060 | BOLT CARRIAGE 3/8 X 1-1/4 UNC GRD 2 | 21 |
| 18 | AAB-015-10063 | BOLT HEX 1/2 X 1-1/2 UNC GRD 5 | 2 |
| 19 | AAB-015-20011 | NUT HEX 1/2 UNC GRD 5 | 2 |
| 20 | AAB-015-20017 | NUT HEX 3/8 UNC GRD 2 | 26 |
| 21 | AAB-015-30012 | WSHR FLAT 3/8 USS | 18 |
| 22 | AAB-015-30013 | WSHR FLAT 1/2 USS | 2 |
| 23 | AAB-015-30017 | WSHR LOCK 3/8 | 26 |
| 24 | AAB-015-30018 | WSHR LOCK 1/2 | 2 |

| | | | | | | | |
|--------------------|---------|--------------|----|------|-------------------|----|----|
| UNITS | PAPER A | SHEET 1 OF 1 | R# | DATE | DESCRIPTION | DR | CK |
| TITLE | | | | | FILE NO | | |
| CNVR WING ASSY 5FT | | | | | AAA-006-00803.idw | | |

| | | | |
|--|-----------|---|--|
| DR | GM | TOLERANCES (UNLESS SPECIFIED OTHERWISE) FRACTIONAL ± 1/16" DEC X.X ± 0.1" DEC X.XX ± 0.06" DEC X.XXX ± 0.031" ANGULAR ± 0.5° | |
| DAT | 10/3/2011 | | |
| MAT | | | |
| <small>CONFIDENTIAL: THESE DRAWINGS AND COPIES THEREOF REMAIN THE PROPERTY OF JAY-LOR FABRICATING INC. ANY PERSON FOUND UNLAWFULLY USING, DISTRIBUTING, OR IN POSSESSION OF THE ABOVE WILL BE PROSECUTED</small> | | | |



| Parts List | | | |
|------------|---------------|-------------------------------------|-----|
| ITEM | PART NUMBER | TITLE | QTY |
| 1 | AAA-006-00007 | CNVR WING 6FT WELDMENT GALVANIZED | 1 |
| 2 | AAA-006-00068 | WEAR PLT | 2 |
| 3 | AAA-006-00098 | POLY UNDERSHIELD 6FT WING CNVR | 1 |
| 4 | AAA-006-00238 | HDPE FLR 6FT WING CNVR 3/8T | 1 |
| 5 | AAA-006-00272 | GALVANIZING MOTOR COVER PLT 1/4T | 1 |
| 6 | AAA-006-00407 | WING SUPT ANGLE AND RUBR SHIELD MNT | 1 |
| 7 | AAA-006-00409 | RUBR FLAP RETAINER FB | 1 |
| 8 | AAA-006-00410 | RUBR FLAP FOR UNDERSIDE OF CNVR | 1 |
| 9 | AAA-006-00421 | SUPT ANGLE CNVR BOTTOM SHIELD | 5 |
| 10 | AAA-006-00617 | CNVR DRIVESHAFT ASSY | 1 |
| 11 | AAB-006-00026 | CNVR CHAIN COUPLER ASSY | 1 |
| 12 | AAB-006-00030 | SHEAR KEY 1/4 X 1 | 1 |
| 13 | AAB-009-00001 | HYD CNVR MOTOR 1 KEYED | 1 |
| 14 | AAB-015-10028 | BOLT CARRIAGE 3/8 X 1 UNC | 5 |
| 15 | AAB-015-10031 | BOLT TORX 5/16 X 1 1/2 UNC | 4 |
| 16 | AAB-015-10051 | FLOORBOARD SCREW 1/4 X 1" TORX HEAD | 4 |
| 17 | AAB-015-10060 | BOLT CARRIAGE 3/8 X 1-1/4 UNC GRD 2 | 23 |
| 18 | AAB-015-10063 | BOLT HEX 1/2 X 1-1/2 UNC GRD 5 | 2 |
| 19 | AAB-015-20011 | NUT HEX 1/2 UNC GRD 5 | 2 |
| 20 | AAB-015-20017 | NUT HEX 3/8 UNC GRD 2 | 28 |
| 21 | AAB-015-30012 | WSHR FLAT 3/8 USS | 20 |
| 22 | AAB-015-30013 | WSHR FLAT 1/2 USS | 2 |
| 23 | AAB-015-30017 | WSHR LOCK 3/8 | 28 |
| 24 | AAB-015-30018 | WSHR LOCK 1/2 | 2 |

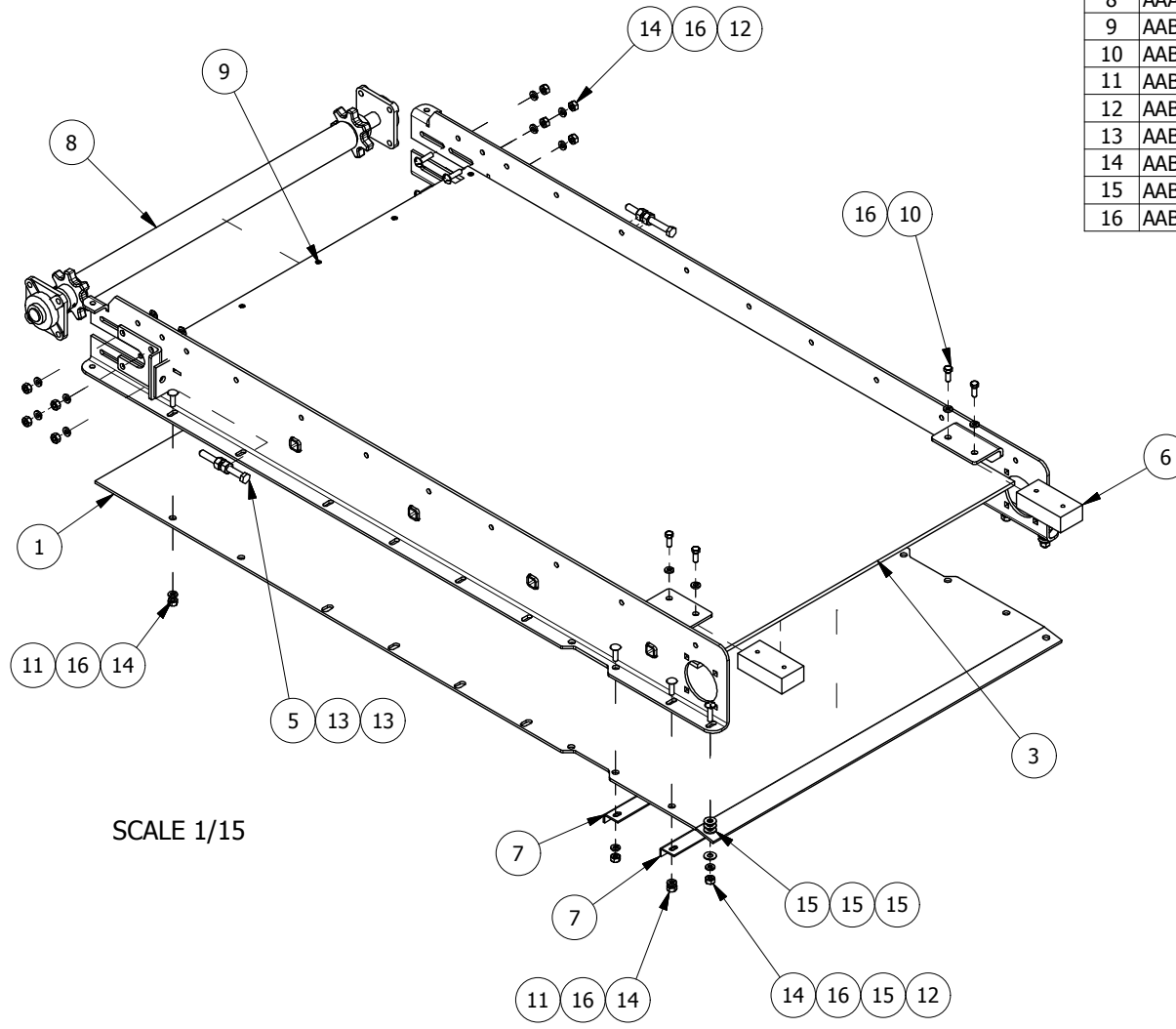
| | | |
|---------------|---|-----------------------------------|
| DR BCN | TOLERANCES (UNLESS SPECIFIED OTHERWISE) FRACTIONAL ± 1/16" DEC X.X ± 0.1" DEC X.XX ± 0.06" DEC X.XXX ± 0.031" ANGULAR ± 0.5° | JAY-LOR Fabricating Inc |
| DAT 5/22/2007 | | |
| MAT | | |

| | | | | | | | |
|--------------------------|---------|--------------|----|------|---------------------------|----|----|
| UNITS EACH | PAPER A | SHEET 4 OF 4 | R# | DATE | DESCRIPTION | DR | CK |
| TITLE CNVR WING ASSY 6FT | | | | | FILE NO AAA-006-00127.idw | | |

CONFIDENTIAL: THESE DRAWINGS AND COPIES THEREOF REMAIN THE PROPERTY OF JAY-LOR FABRICATING INC. ANY PERSON FOUND UNLAWFULLY USING, DISTRIBUTING, OR IN POSSESSION OF THE ABOVE WILL BE PROSECUTED

Parts List

| ITEM | PART NUMBER | TITLE | QTY |
|------|---------------|---------------------------------------|-----|
| 1 | AAA-006-00063 | POLY UNDERSHIELD 6 FT FLAT CNVR | 1 |
| 2 | AAA-006-00069 | 6 FT FLAT CNVR WELDMNT GALVANIZED | 1 |
| 3 | AAA-006-00239 | HDPE FLR 6FT FLAT CNVR 3/8T | 1 |
| 4 | AAA-006-00351 | CNVR FLNG BRNG HOLDER | 2 |
| 5 | AAA-006-00352 | BOLT HEX FULL THREAD MOD 1/2 X 5 X 13 | 2 |
| 6 | AAA-006-00363 | UPPER UHMW BLOCK | 2 |
| 7 | AAA-006-00406 | SUPT ANGLE CNVR BOTTOM SHIELD | 2 |
| 8 | AAA-006-00618 | CNVR IDLER SHAFT ASSY | 1 |
| 9 | AAB-015-10051 | FLOORBOARD SCREW 1/4 X 1" TORX HEAD | 5 |
| 10 | AAB-015-10056 | BOLT HEX 3/8 X 1 UNC GRD 2 | 4 |
| 11 | AAB-015-10060 | BOLT CARRIAGE 3/8 X 1-1/4 UNC GRD 2 | 6 |
| 12 | AAB-015-10061 | BOLT CARRIAGE 3/8 X 1-1/2 UNC GRD 5 | 10 |
| 13 | AAB-015-20011 | NUT HEX 1/2 UNC GRD 5 | 4 |
| 14 | AAB-015-20017 | NUT HEX 3/8 UNC GRD 2 | 16 |
| 15 | AAB-015-30012 | WSHR FLAT 3/8 USS | 8 |
| 16 | AAB-015-30017 | WSHR LOCK 3/8 | 20 |



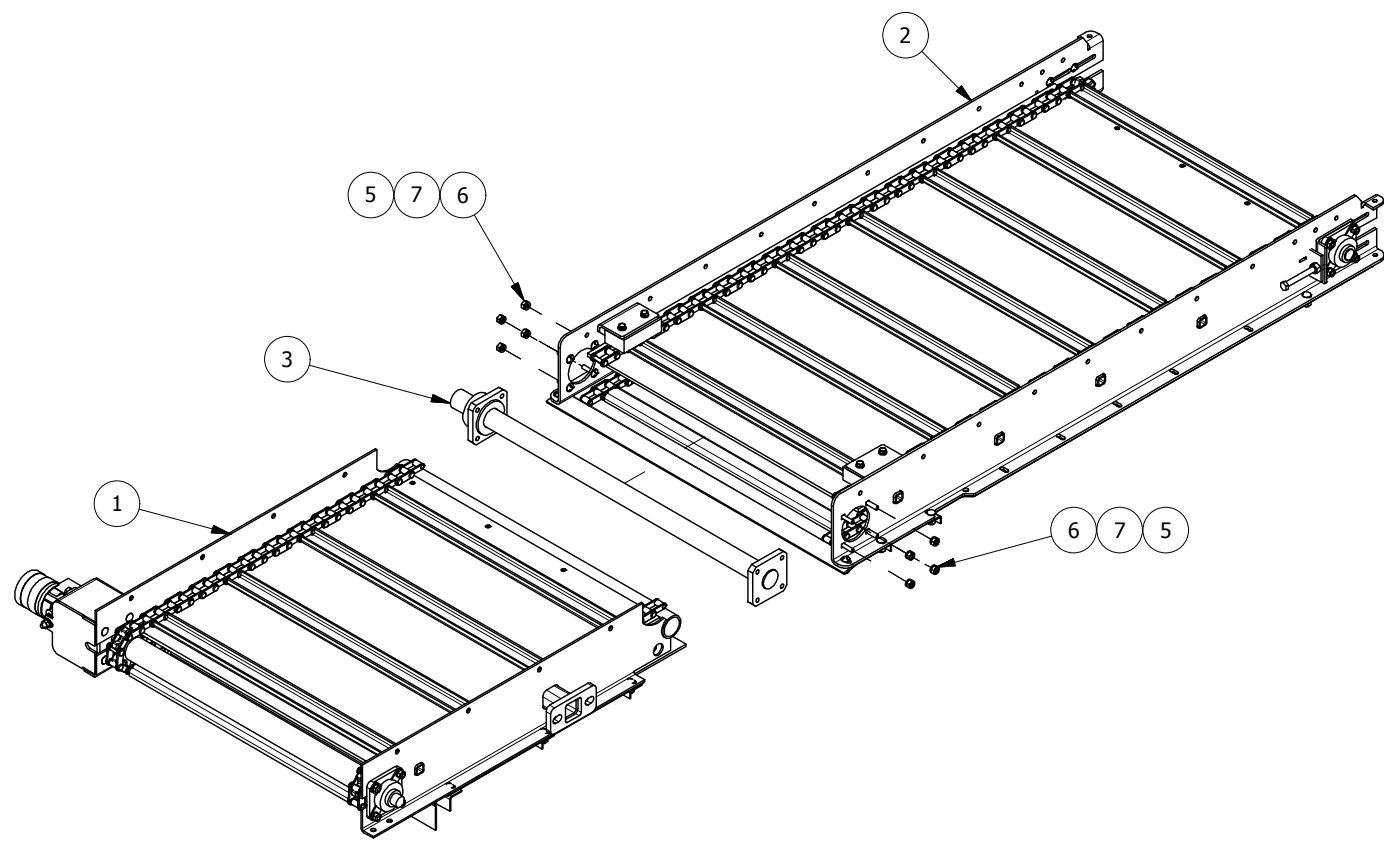
SCALE 1/15

| | | | | | | | |
|------------|---------|--------------|----|------|-------------|---------------------|----|
| UNITS EACH | PAPER A | SHEET 1 OF 2 | R# | DATE | DESCRIPTION | DR | CK |
| | | | | | TITLE | 6 FT FLAT CNVR ASSY | |
| | | | | | FILE NO | AAA-006-00131.idw | |

| | | |
|---|---|-----------------------------------|
| DR BCN | TOLERANCES (UNLESS SPECIFIED OTHERWISE) FRACTIONAL ± 1/16" DEC X.X ± 0.1" DEC X.XX ± 0.06" DEC X.XXX ± 0.031" ANGULAR ± 0.5° | JAY-LOR Fabricating Inc |
| DAT 12/22/2004 | | |
| MAT | | |
| CONFIDENTIAL: THESE DRAWINGS AND COPIES THEREOF REMAIN THE PROPERTY OF JAY-LOR FABRICATING INC. ANY PERSON FOUND UNLAWFULLY USING, DISTRIBUTING, OR IN POSSESSION OF THE ABOVE WILL BE PROSECUTED | | |

Parts List

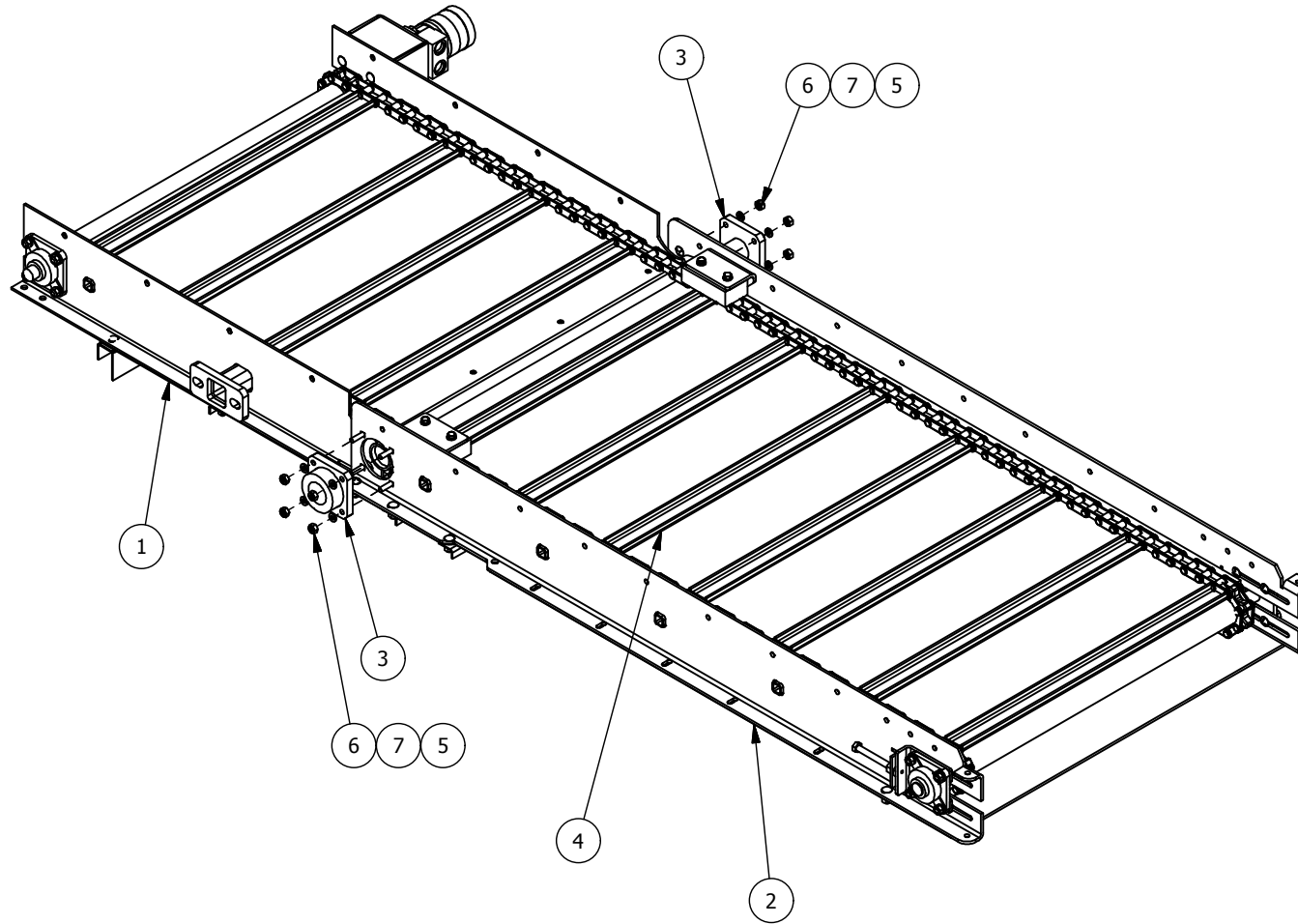
| ITEM | PART NUMBER | TITLE | QTY |
|------|---------------|-------------------------------------|-----|
| 1 | AAA-006-00129 | CNVR WING ASSY 41 | 1 |
| 2 | AAA-006-00131 | 6 FT FLAT CNVR ASSY | 1 |
| 3 | AAA-006-00616 | CNVR PIVOT PIN ASSY | 1 |
| 4 | AAB-006-00033 | APRON CHAIN C55 W WITH 66 LINKS | 1 |
| 5 | AAB-015-10061 | BOLT CARRIAGE 3/8 X 1-1/2 UNC GRD 5 | 8 |
| 6 | AAB-015-20017 | NUT HEX 3/8 UNC GRD 2 | 8 |
| 7 | AAB-015-30017 | WSHR LOCK 3/8 | 8 |



| | | | | | | | |
|------------|---------|--------------|----|------|-------------|-----------------------|----|
| UNITS EACH | PAPER A | SHEET 1 OF 1 | R# | DATE | DESCRIPTION | DR | CK |
| | | | | | TITLE | 6FT 41" LTH BASE ASSY | |
| | | | | | FILE NO | AAA-006-00059.idw | |

| | | |
|---|---|------------------------------------|
| DR PJ Feige | TOLERANCES (UNLESS SPECIFIED OTHERWISE) FRACTIONAL ± 1/16" DEC X.X ± 0.1" DEC X.XX ± 0.06" DEC X.XXX ± 0.031" ANGULAR ± 0.5° | JAY•LOR® Fabricating Inc |
| DAT 6/5/2007 | | |
| MAT | | |
| CONFIDENTIAL: THESE DRAWINGS AND COPIES THEREOF REMAIN THE PROPERTY OF JAY-LOR FABRICATING INC. ANY PERSON FOUND UNLAWFULLY USING, DISTRIBUTING, OR IN POSSESSION OF THE ABOVE WILL BE PROSECUTED | | |

| Parts List | | | |
|------------|---------------|-------------------------------------|-----|
| ITEM | PART NUMBER | TITLE | QTY |
| 1 | AAA-006-00129 | CNVR WING ASSY 41 | 1 |
| 2 | AAA-006-00131 | 6 FT FLAT CNVR ASSY | 1 |
| 3 | AAA-006-00616 | CNVR PIVOT PIN ASSY | 1 |
| 4 | AAB-006-00033 | APRON CHAIN C55 W WITH 66 LINKS | 1 |
| 5 | AAB-015-10061 | BOLT CARRIAGE 3/8 X 1-1/2 UNC GRD 5 | 8 |
| 6 | AAB-015-20017 | NUT HEX 3/8 UNC GRD 2 | 8 |
| 7 | AAB-015-30017 | WSHR LOCK 3/8 | 8 |



DR PJ Feige

DAT 9/28/2010

MAT

TOLERANCES (UNLESS SPECIFIED OTHERWISE)
 FRACTIONAL ± 1/16"
 DEC X.X ± 0.1"
 DEC X.XX ± 0.06"
 DEC X.XXX ± 0.031"
 ANGULAR ± 0.5°

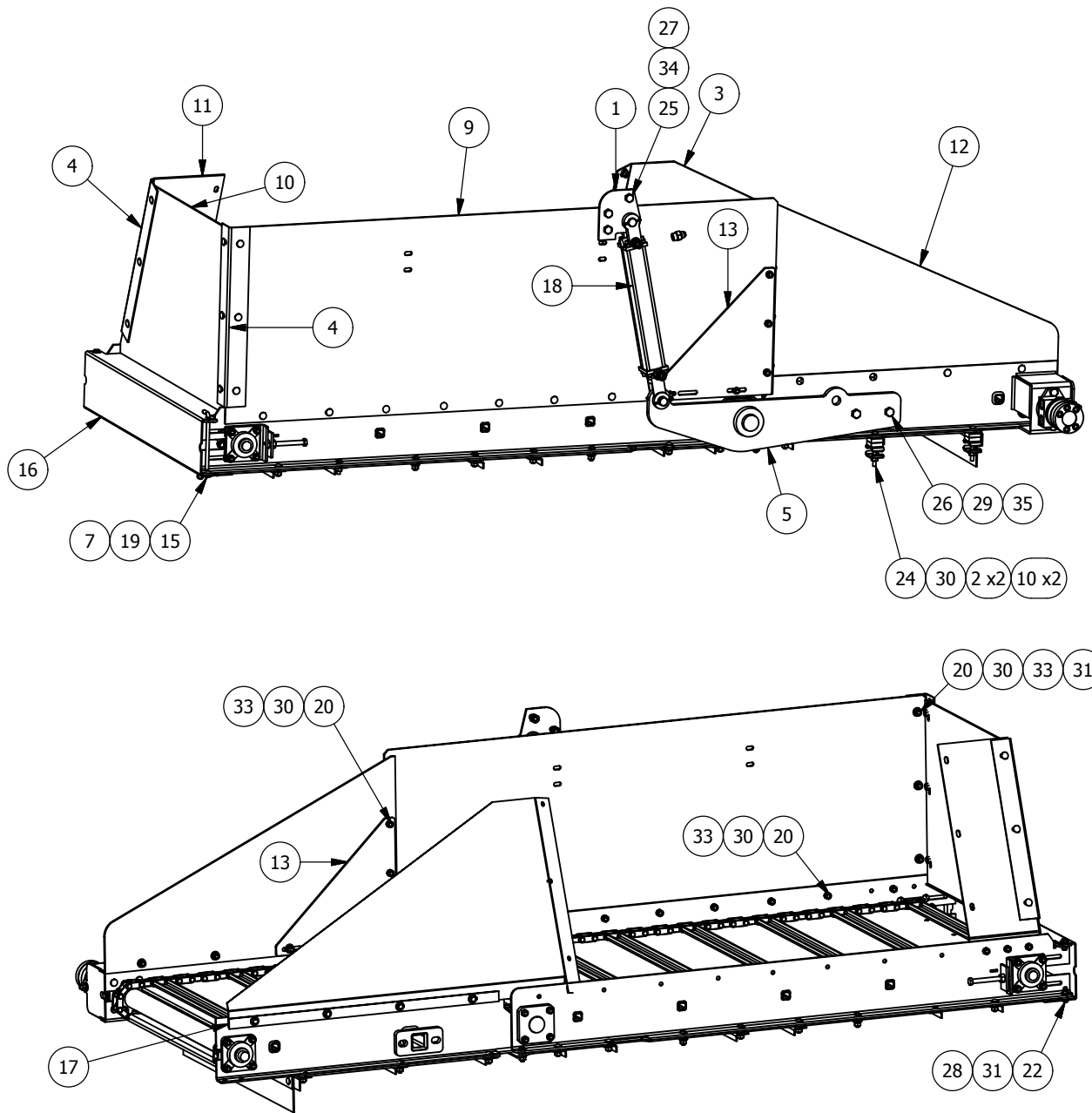
JAY•LOR
 Fabricating Inc

UNITS PAPER A SHEET 1 OF 1 R# DATE DESCRIPTION DR CK

TITLE 6FT 41" RTH BASE ASSY

FILE NO AAA-006-00625.idw

CONFIDENTIAL: THESE DRAWINGS AND COPIES THEREOF REMAIN THE PROPERTY OF JAY-LOR FABRICATING INC. ANY PERSON FOUND UNLAWFULLY USING, DISTRIBUTING, OR IN POSSESSION OF THE ABOVE WILL BE PROSECUTED

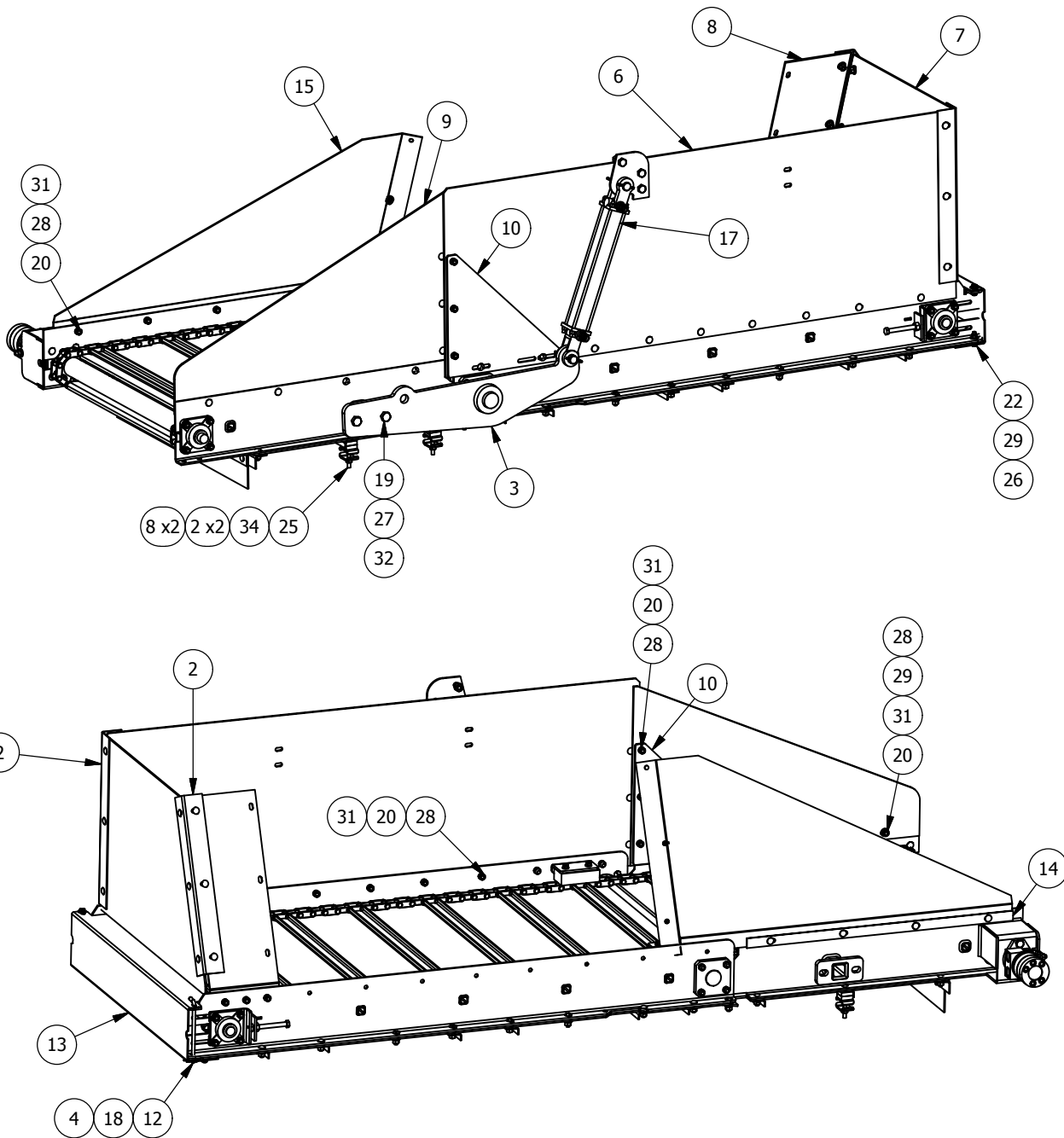


| Parts List | | | |
|------------|---------------|---|-----|
| ITE | PART NUMBER | TITLE | QTY |
| 1 | AAA-002-00174 | PLT SUPT VRTCL FRAME 6FT CNVR WING | 1 |
| 2 | AAA-002-00343 | HYD HOSE CLIP | 4 |
| 3 | AAA-006-00048 | RUBR WING SHIELD FOR LTH DISCHARGE | 1 |
| 4 | AAA-006-00054 | CORNER ANGLE FOR CNVR SHIELDS | 2 |
| 5 | AAA-006-00057 | CNVR LIFT ARM WELDMENT | 1 |
| 6 | AAA-006-00059 | 6FT 41" LTH BASE ASSY | 1 |
| 7 | AAA-006-00135 | PLASTIC SPCR 1/4T | 2 |
| 8 | AAA-006-00223 | PLASTIC SPCR 1/2T | 4 |
| 9 | AAA-006-00259 | HDPE SHIELD FRT 6 FT FLAT 1/4T | 1 |
| 10 | AAA-006-00260 | HDPE SHIELD CNVR 6FT FLAT END 1/4T | 1 |
| 11 | AAA-006-00261 | HDPE SHIELD 6FT FLAT CNVR DRUM SIDE 1/4T | 1 |
| 12 | AAA-006-00262 | HDPE SHIELD 41 CNVR WING 1/4T | 1 |
| 13 | AAA-006-00327 | BRACE CNVR SHIELD 1/4T | 2 |
| 14 | AAA-006-00406 | SUPT ANGLE CNVR BOTTOM SHIELD | 4 |
| 15 | AAA-006-00450 | PIN BENT ADJUSTMENT 3/8 X 7-3/4 | 1 |
| 16 | AAA-006-00451 | CNVR BOOT WITH FB BRACES GALVANIZED | 1 |
| 17 | AAA-006-00527 | FLAT BAR RUBBER BACKING 1/8T | 1 |
| 18 | AAA-009-00051 | KIT HYD HOSE AND FIT FOR 6 FT 41 CNVR LTH | 1 |
| 19 | AAB-001-00019 | PIN HTCH CLIP 1/8 X 2-9/16 | 1 |
| 20 | AAB-015-10028 | BOLT CARRIAGE 3/8 X 1 UNC | 30 |
| 21 | AAB-015-10056 | BOLT HEX 3/8 X 1 UNC GRD 2 | 5 |
| 22 | AAB-015-10059 | BOLT HEX 3/8 X 1-1/2 UNC GRD 2 | 1 |
| 23 | AAB-015-10061 | BOLT CARRIAGE 3/8 X 1-1/2 UNC GRD 5 | 13 |
| 24 | AAB-015-10062 | BOLT CARRIAGE 3/8 X 4 UNC GRD 2 | 2 |
| 25 | AAB-015-10063 | BOLT HEX 1/2 X 1-1/2 UNC GRD 5 | 3 |
| 26 | AAB-015-10068 | BOLT HEX 5/8 X 2 UNC GRD 5 | 2 |
| 27 | AAB-015-20011 | NUT HEX 1/2 UNC GRD 5 | 3 |
| 28 | AAB-015-20012 | NUT HEX 3/8 LOCK NYLON GRD 2 | 2 |
| 29 | AAB-015-20013 | NUT HEX 5/8 UNC GRD 8 | 2 |
| 30 | AAB-015-20017 | NUT HEX 3/8 UNC GRD 2 | 52 |
| 31 | AAB-015-30012 | WSHR FLAT 3/8 USS | 32 |
| 32 | AAB-015-30015 | WSHR FLAT 3/4 USS | 2 |
| 33 | AAB-015-30017 | WSHR LOCK 3/8 | 50 |
| 34 | AAB-015-30018 | WSHR LOCK 1/2 | 3 |
| 35 | AAB-015-30019 | WSHR LOCK 5/8 | 2 |
| 36 | AAB-015-40008 | LOCKING PIN CAP | 1 |

| | | | |
|-----|-----------|---|--|
| DR | LMV | TOLERANCES (UNLESS SPECIFIED OTHERWISE) | |
| DAT | 7/11/2013 | FRACTIONAL ± 1/16" | |
| | | DEC XXX ± 0.1" | |
| | | DEC X.XX ± 0.06" | |
| | | DEC X.XXX ± 0.031" | |
| | | ANGULAR ± 0.5° | |
| | | | |

| | | | | | | | |
|---------------------------------------|---------|--------------|----|------|-------------|-------------------|----|
| UNITS | PAPER A | SHEET 1 OF 1 | R# | DATE | DESCRIPTION | DR | CK |
| TITLE 6FT 41IN LTH ASSY (PARTS ORDER) | | | | | FILE NO | AAA-006-00992.idw | |

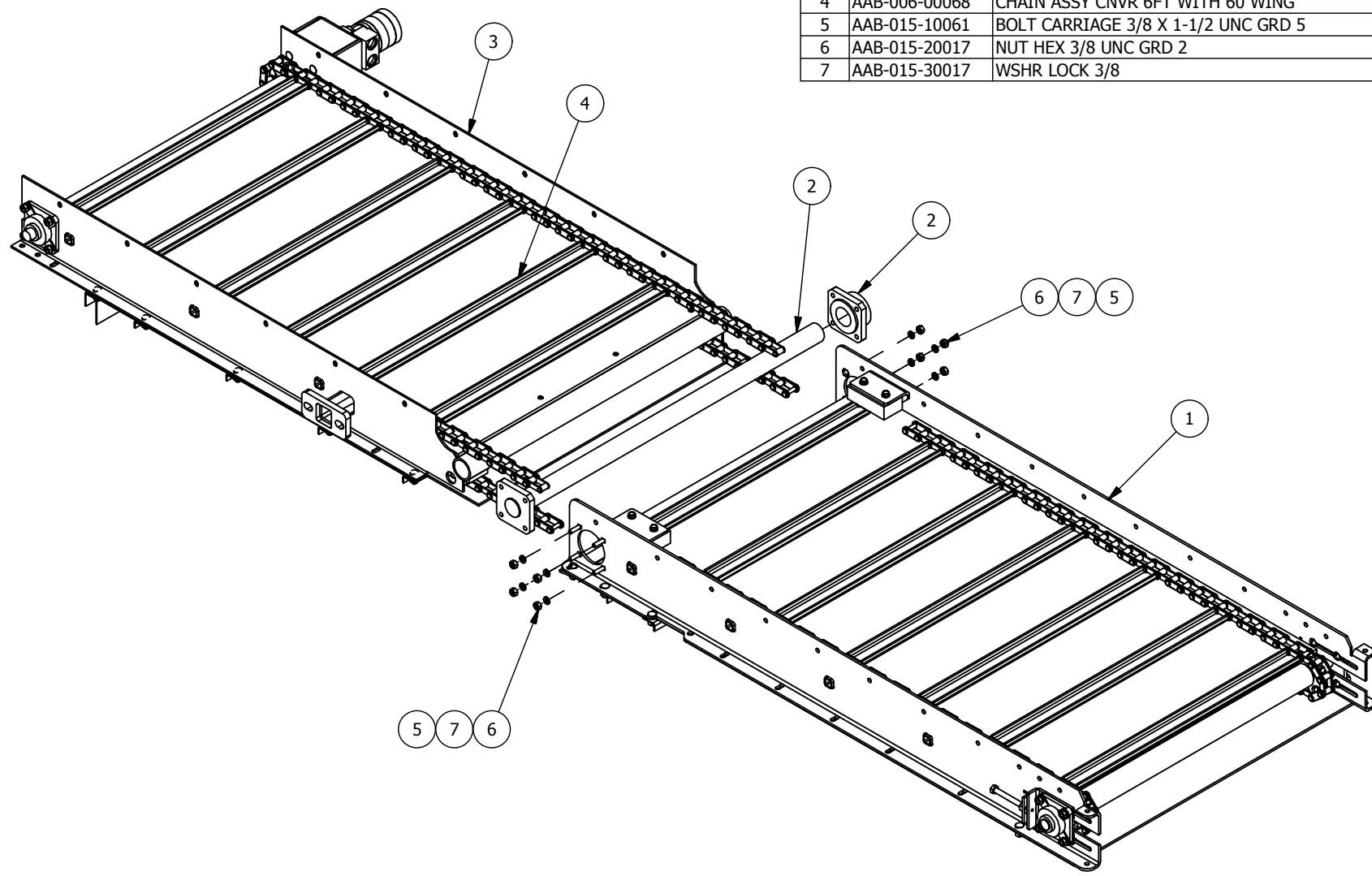
CONFIDENTIAL: THESE DRAWINGS AND COPIES THEREOF REMAIN THE PROPERTY OF JAY-LOR FABRICATING INC. ANY PERSON FOUND UNLAWFULLY USING, DISTRIBUTING, OR IN POSSESSION OF THE ABOVE WILL BE PROSECUTED



| Parts List | | | |
|------------|---------------|--|-----|
| ITE | PART NUMBER | TITLE | QTY |
| 1 | AAA-002-00343 | HYD HOSE CLIP | 6 |
| 2 | AAA-006-00054 | CORNER ANGLE FOR CNVR SHIELDS | 2 |
| 3 | AAA-006-00057 | CNVR LIFT ARM WELDMNT | 1 |
| 4 | AAA-006-00135 | PLASTIC SPCR 1/4T | 2 |
| 5 | AAA-006-00223 | PLASTIC SPCR 1/2T | 6 |
| 6 | AAA-006-00259 | HDPE SHIELD FRT 6 FT FLAT 1/4T | 1 |
| 7 | AAA-006-00260 | HDPE SHIELD CNVR 6FT FLAT END 1/4T | 1 |
| 8 | AAA-006-00261 | HDPE SHIELD 6FT FLAT CNVR DRUM SIDE 1/4T | 1 |
| 9 | AAA-006-00262 | HDPE SHIELD 41 CNVR WING 1/4T | 1 |
| 10 | AAA-006-00327 | BRACE CNVR SHIELD 1/4T | 2 |
| 11 | AAA-006-00406 | SUPT ANGLE CNVR BOTTOM SHIELD | 4 |
| 12 | AAA-006-00450 | PIN BENT ADJUSTMENT 3/8 X 7-3/4 | 1 |
| 13 | AAA-006-00451 | CNVR BOOT WITH FB BRACES GALVANIZED | 1 |
| 14 | AAA-006-00527 | FLAT BAR RUBBER BACKING 1/8T | 1 |
| 15 | AAA-006-00544 | RUBR WING SHIELD FOR RTH DISCHARGE | 1 |
| 16 | AAA-006-00625 | 6FT 41" RTH BASE ASSY | 1 |
| 17 | AAA-009-00052 | KIT HYD HOSE AND FIT FOR 6 FT 41 CNVR RTH / TOTAL MIX 3 FT WING CNVR | 1 |
| 18 | AAB-001-00019 | PIN HTCH CLIP 1/8 X 2-9/16 | 1 |
| 19 | AAB-005-00005 | BOLT HEX 5/8 X 2-1/2 UNC GRD 8 | 2 |
| 20 | AAB-015-10028 | BOLT CARRIAGE 3/8 X 1 UNC | 34 |
| 21 | AAB-015-10056 | BOLT HEX 3/8 X 1 UNC GRD 2 | 1 |
| 22 | AAB-015-10059 | BOLT HEX 3/8 X 1-1/2 UNC GRD 2 | 1 |
| 23 | AAB-015-10060 | BOLT CARRIAGE 3/8 X 1-1/4 UNC GRD 2 | 2 |
| 24 | AAB-015-10061 | BOLT CARRIAGE 3/8 X 1-1/2 UNC GRD 5 | 12 |
| 25 | AAB-015-10062 | BOLT CARRIAGE 3/8 X 4 UNC GRD 2 | 3 |
| 26 | AAB-015-20012 | NUT HEX 3/8 LOCK NYLON GRD 2 | 2 |
| 27 | AAB-015-20013 | NUT HEX 5/8 UNC GRD 8 | 2 |
| 28 | AAB-015-20017 | NUT HEX 3/8 UNC GRD 2 | 53 |
| 29 | AAB-015-30012 | WSHR FLAT 3/8 USS | 29 |
| 30 | AAB-015-30015 | WSHR FLAT 3/4 USS | 2 |
| 31 | AAB-015-30017 | WSHR LOCK 3/8 | 50 |
| 32 | AAB-015-30019 | WSHR LOCK 5/8 | 2 |
| 33 | AAB-015-40008 | LOCKING PIN CAP | 1 |
| 131 | AAA-002-00174 | PLT SUPT VRTCL FRAME 6FT CNVR WING | 1 |
| 132 | AAB-015-10063 | BOLT HEX 1/2 X 1-1/2 UNC GRD 5 | 3 |
| 133 | AAB-015-30018 | WSHR FLAT 3/8 USS (OTHERWISE FRACTIONAL 4-1/16") | 1 |
| 134 | AAB-015-20011 | NUT HEX 1/2 UNC GRD 2 | 1 |

Parts List

| ITEM | PART NUMBER | TITLE | QTY |
|------|---------------|-------------------------------------|-----|
| 1 | AAA-006-00131 | 6 FT FLAT CNVR ASSY | 1 |
| 2 | AAA-006-00616 | CNVR PIVOT PIN ASSY | 1 |
| 3 | AAA-006-00803 | CNVR WING ASSY 5FT | 1 |
| 4 | AAB-006-00068 | CHAIN ASSY CNVR 6FT WITH 60 WING | 1 |
| 5 | AAB-015-10061 | BOLT CARRIAGE 3/8 X 1-1/2 UNC GRD 5 | 8 |
| 6 | AAB-015-20017 | NUT HEX 3/8 UNC GRD 2 | 8 |
| 7 | AAB-015-30017 | WSHR LOCK 3/8 | 8 |

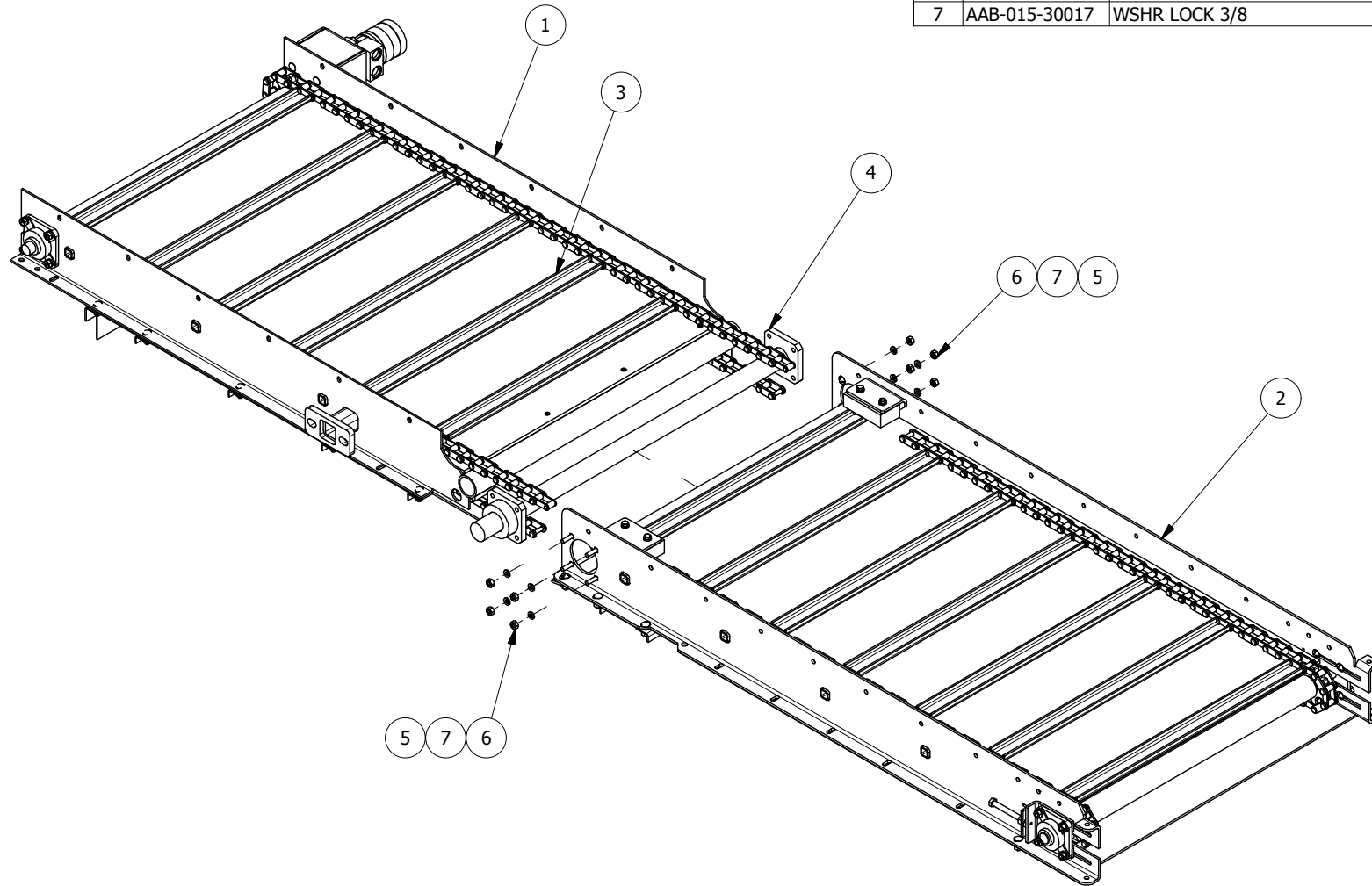


| | | | | | | | |
|-----------------------------|---------|--------------|----|------|---------------------------|----|----|
| UNITS | PAPER A | SHEET 1 OF 1 | R# | DATE | DESCRIPTION | DR | CK |
| TITLE 6FT 60" LTH BASE ASSY | | | | | FILE NO AAA-006-00842.idw | | |

| | | |
|---|---|-----------------------------------|
| DR GM | TOLERANCES (UNLESS SPECIFIED OTHERWISE) FRACTIONAL ± 1/16" DEC X.X ± 0.1" DEC X.XX ± 0.06" DEC X.XXX ± 0.031" ANGULAR ± 0.5° | JAY•LOR Fabricating Inc |
| DAT 1/9/2012 | | |
| MAT | | |
| CONFIDENTIAL: THESE DRAWINGS AND COPIES THEREOF REMAIN THE PROPERTY OF JAY-LOR FABRICATING INC. ANY PERSON FOUND UNLAWFULLY USING, DISTRIBUTING, OR IN POSSESSION OF THE ABOVE WILL BE PROSECUTED | | |

Parts List

| ITEM | PART NUMBER | TITLE | QTY |
|------|---------------|-------------------------------------|-----|
| 1 | AAA-006-00803 | CNVR WING ASSY 5FT | 1 |
| 2 | AAA-006-00131 | 6 FT FLAT CNVR ASSY | 1 |
| 3 | AAB-006-00068 | CHAIN ASSY CNVR 6FT WITH 60 WING | 1 |
| 4 | AAA-006-00616 | CNVR PIVOT PIN ASSY | 1 |
| 5 | AAB-015-10061 | BOLT CARRIAGE 3/8 X 1-1/2 UNC GRD 5 | 8 |
| 6 | AAB-015-20017 | NUT HEX 3/8 UNC GRD 2 | 8 |
| 7 | AAB-015-30017 | WSHR LOCK 3/8 | 8 |

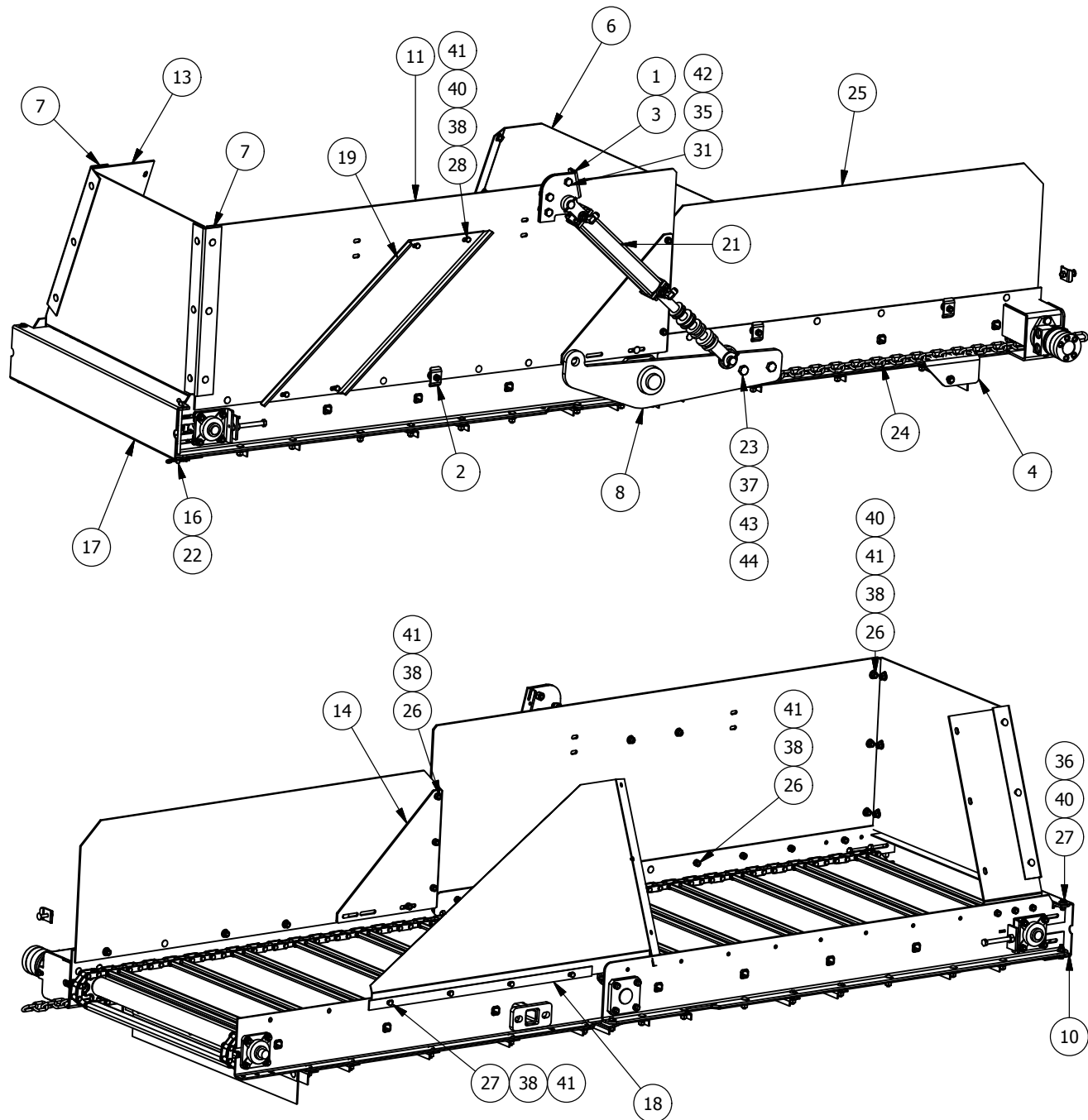


| | | | |
|-----|-----------|---|-----------------------------------|
| DR | GM | TOLERANCES (UNLESS SPECIFIED OTHERWISE) FRACTIONAL ± 1/16" DEC X.X ± 0.1" DEC X.XX ± 0.06" DEC X.XXX ± 0.031" ANGULAR ± 0.5° | JAY•LOR Fabricating Inc |
| DAT | 1/10/2012 | | |
| DR | CK | | |
| MAT | | | |

| | | | | | | | | | | |
|-------|------|-------|---|-------|--------|----|------|-------------|----|----|
| UNITS | EACH | PAPER | A | SHEET | 1 OF 1 | R# | DATE | DESCRIPTION | DR | CK |
|-------|------|-------|---|-------|--------|----|------|-------------|----|----|

TITLE 6FT 60" RTH BASE ASSY FILE NO AAA-006-00843.idw

CONFIDENTIAL: THESE DRAWINGS AND COPIES THEREOF REMAIN THE PROPERTY OF JAY-LOR FABRICATING INC. ANY PERSON FOUND UNLAWFULLY USING, DISTRIBUTING, OR IN POSSESSION OF THE ABOVE WILL BE PROSECUTED



Parts List

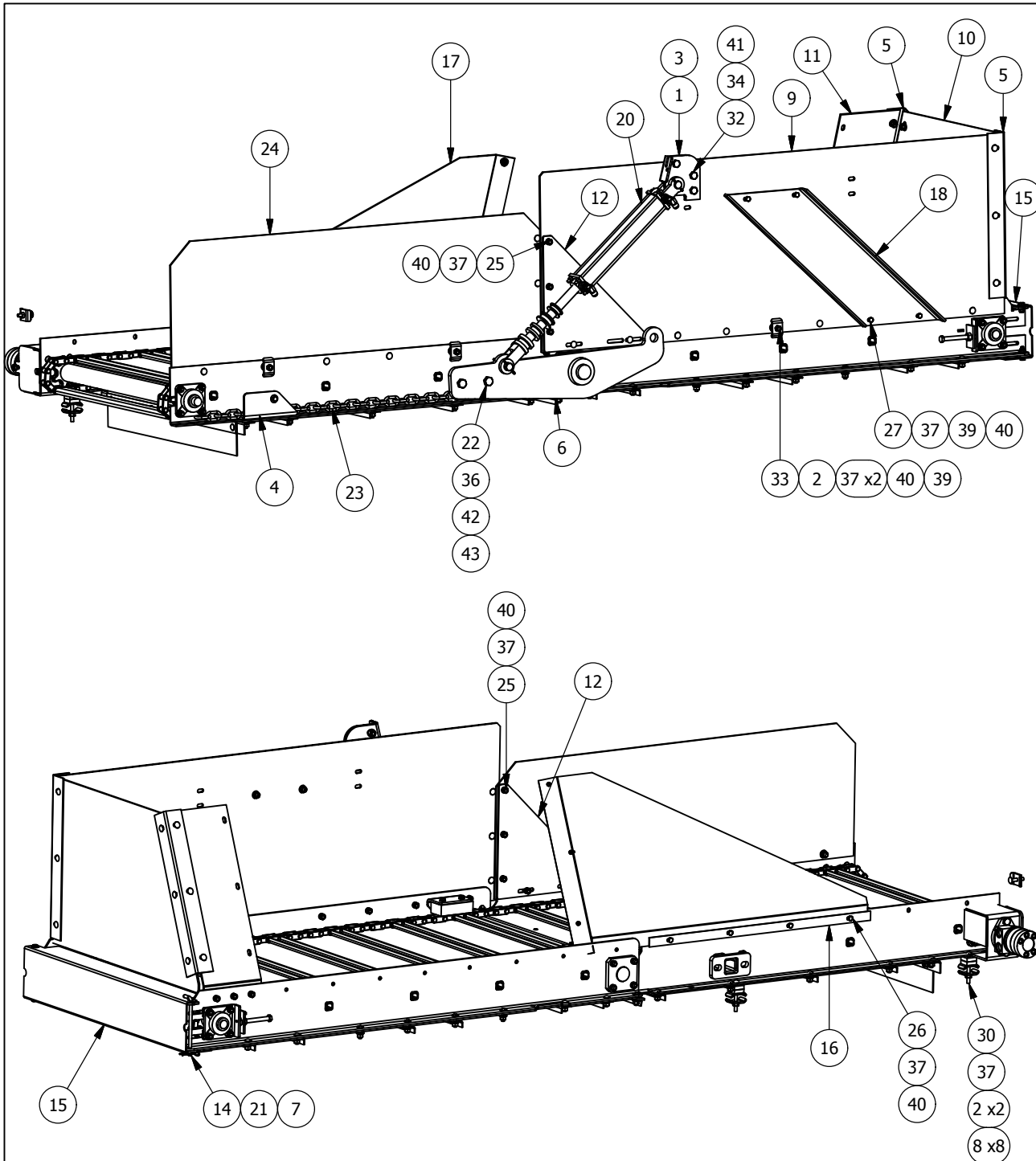
| ITE | PART NUMBER | TITLE | QTY |
|-----|---------------|---|-----|
| 20 | AAA-006-00842 | 6FT 60" LTH BASE ASSY | 1 |
| 11 | AAA-006-00259 | HDPE SHIELD FRT 6 FT FLAT 1/4T | 1 |
| 12 | AAA-006-00260 | HDPE SHIELD CNVR 6FT FLAT END 1/4T | 1 |
| 13 | AAA-006-00261 | HDPE SHIELD 6FT FLAT CNVR DRUM SIDE 1/4T | 1 |
| 17 | AAA-006-00451 | CNVR BOOT WITH FB BRACES GALVANIZED | 1 |
| 10 | AAA-006-00135 | PLASTIC SPCR 1/4T | 2 |
| 6 | AAA-006-00048 | RUBR WING SHIELD FOR LTH DISCHARGE | 1 |
| 28 | AAB-015-10059 | BOLT HEX 3/8 X 1-1/2 UNC GRD 2 | 6 |
| 27 | AAB-015-10056 | BOLT HEX 3/8 X 1 UNC GRD 2 | 5 |
| 40 | AAB-015-30012 | WSHR FLAT 3/8 USS | 33 |
| 36 | AAB-015-20012 | NUT HEX 3/8 LOCK NYLON GRD 2 | 2 |
| 22 | AAB-001-00019 | PIN HTCH CLIP 1/8 X 2-9/16 | 1 |
| 16 | AAA-006-00450 | PIN BENT ADJUSTMENT 3/8 X 7-3/4 | 1 |
| 45 | AAB-015-40008 | LOCKING PIN CAP | 1 |
| 15 | AAA-006-00406 | SUPT ANGLE CNVR BOTTOM SHIELD | 5 |
| 19 | AAA-006-00554 | BRACE 6FT WING LTH DISCHARGE 1/4T | 1 |
| 29 | AAB-015-10060 | BOLT CARRIAGE 3/8 X 1-1/4 UNC GRD 2 | 9 |
| 38 | AAB-015-20017 | NUT HEX 3/8 UNC GRD 2 | 60 |
| 41 | AAB-015-30017 | WSHR LOCK 3/8 | 55 |
| 26 | AAB-015-10028 | BOLT CARRIAGE 3/8 X 1 UNC | 28 |
| 3 | AAA-002-00459 | 6FT WING CHAIN HOOK | 1 |
| 4 | AAA-002-00460 | CHAIN KEYHOLE STOP 1/4T | 1 |
| 1 | AAA-002-00174 | PLT SUPT VRTCL FRAME 6FT CNVR WING | 1 |
| 24 | AAB-006-00038 | CHAIN GRD 30 - 54 INCHES | 1 |
| 31 | AAB-015-10063 | BOLT HEX 1/2 X 1-1/2 UNC GRD 5 | 1 |
| 35 | AAB-015-20011 | NUT HEX 1/2 UNC GRD 5 | 3 |
| 42 | AAB-015-30018 | WSHR LOCK 1/2 | 3 |
| 32 | AAB-015-10064 | BOLT HEX 1/2 X 2 UNC GRD 5 | 2 |
| 8 | AAA-006-00057 | CNVR LIFT ARM WELDMNT | 1 |
| 21 | AAA-009-00088 | KIT HOSE AND FIT FOR 6FT CNVR WITH 6FT WING LTH DISCHARGE | 1 |
| 30 | AAB-015-10061 | BOLT CARRIAGE 3/8 X 1-1/2 UNC GRD 5 | 4 |
| 23 | AAB-005-00005 | BOLT HEX 5/8 X 2-1/2 UNC GRD 8 | 2 |
| 44 | AAB-015-30020 | WSHR FLAT 5/8 USS | 2 |
| 43 | AAB-015-30019 | WSHR LOCK 5/8 | 2 |
| 37 | AAB-015-20013 | NUT HEX 5/8 UNC GRD 8 | 2 |
| 39 | AAB-015-30009 | WSHR FLAT 2.5 OD X 1.06 ID X 1/8T | 3 |
| 25 | AAB-006-00067 | HDPE SHIELD CNVR SIDE 5FT WING 1/4T | 1 |
| 2 | AAA-002-00343 | HYD HOSE CLIP | 4 |
| 34 | AAB-015-10081 | BOLT CARRIAGE 3/8 X 2 UNC GRD 5 | 4 |
| 18 | AAA-006-00527 | FLAT BAR RUBBER BACKING 1/8T | 1 |
| 14 | AAA-006-00327 | BRACE CNVR SHIELD 1/4T | 2 |
| 7 | AAA-006-00054 | CORNER ANGLE FOR CNVR SHIELDS | 2 |

| | | | |
|-----|-----------|---|--|
| DR | GM | TOLERANCES (UNLESS SPECIFIED OTHERWISE) FRACTIONAL ± 1/16" DEC X.X ± 0.1" DEC X.XX ± 0.06" DEC X.XXX ± 0.031" ANGULAR ± 0.5° | |
| DAT | 7/15/2013 | | |
| MAT | | | |

| | | | | | | | |
|-------|---------|--------------|----|------|-------------|----|----|
| UNITS | PAPER A | SHEET 1 OF 1 | R# | DATE | DESCRIPTION | DR | CK |
|-------|---------|--------------|----|------|-------------|----|----|

TITLE 6FT 60" LTH ASSY (PARTS ORDER) FILE NO AAA-006-00994.idw

CONFIDENTIAL: THESE DRAWINGS AND COPIES THEREOF REMAIN THE PROPERTY OF JAY-LOR FABRICATING INC. ANY PERSON FOUND UNLAWFULLY USING, DISTRIBUTING, OR IN POSSESSION OF THE ABOVE WILL BE PROSECUTED



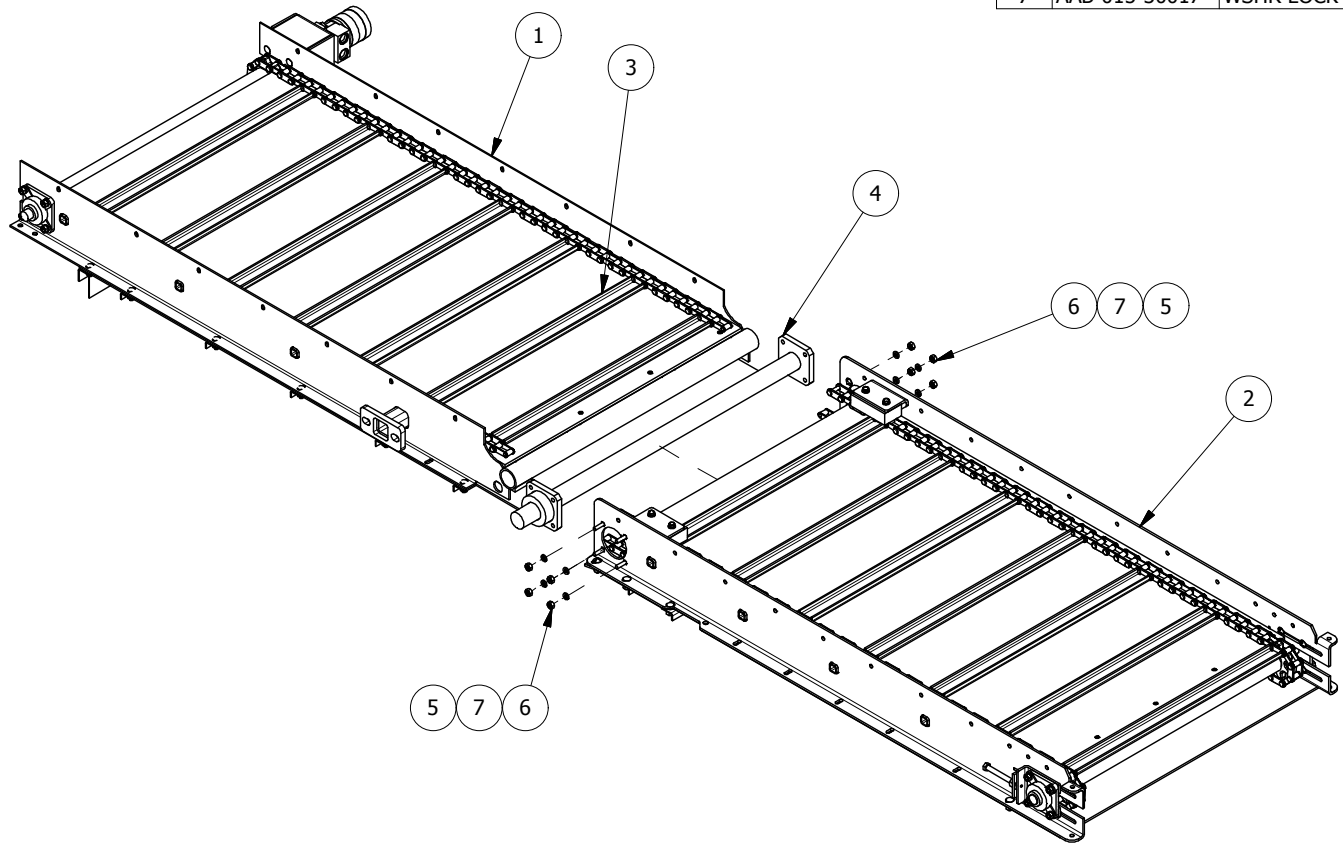
Parts List

| ITE | PART NUMBER | TITLE | QTY |
|-----|---------------|---|-----|
| 1 | AAA-002-00174 | PLT SUPT VRTCL FRAME 6FT CNVR WING | 1 |
| 2 | AAA-002-00343 | HYD HOSE CLIP | 8 |
| 3 | AAA-002-00459 | 6FT WING CHAIN HOOK | 1 |
| 4 | AAA-002-00460 | CHAIN KEYHOLE STOP 1/4T | 1 |
| 5 | AAA-006-00054 | CORNER ANGLE FOR CNVR SHIELDS | 2 |
| 6 | AAA-006-00057 | CNVR LIFT ARM WELDMENT | 1 |
| 7 | AAA-006-00135 | PLASTIC SPCR 1/4T | 2 |
| 8 | AAA-006-00223 | PLASTIC SPCR 1/2T | 4 |
| 9 | AAA-006-00259 | HDPE SHIELD FRT 6 FT FLAT 1/4T | 1 |
| 10 | AAA-006-00260 | HDPE SHIELD CNVR 6FT FLAT END 1/4T | 1 |
| 11 | AAA-006-00261 | HDPE SHIELD 6FT FLAT CNVR DRUM SIDE 1/4T | 1 |
| 12 | AAA-006-00327 | BRACE CNVR SHIELD 1/4T | 2 |
| 13 | AAA-006-00406 | SUPT ANGLE CNVR BOTTOM SHIELD | 5 |
| 14 | AAA-006-00450 | PIN BENT ADJUSTMENT 3/8 X 7-3/4 | 1 |
| 15 | AAA-006-00451 | CNVR BOOT WITH FB BRACES GALVANIZED | 1 |
| 16 | AAA-006-00527 | FLAT BAR RUBBER BACKING 1/8T | 1 |
| 17 | AAA-006-00544 | RUBR WING SHIELD FOR RTH DISCHARGE | 1 |
| 18 | AAA-006-00555 | BRACE 6FT WING RTH DISCHARGE 1/4T | 1 |
| 19 | AAA-006-00843 | 6FT 60" RTH BASE ASSY | 1 |
| 20 | AAA-009-00100 | KIT HOSE AND FIT FOR 6FT CNVR WITH 6FT WING RTH DISCHARGE | 1 |
| 21 | AAB-001-00019 | PIN HTCH CLIP 1/8 X 2-9/16 | 1 |
| 22 | AAB-005-00005 | BOLT HEX 5/8 X 2-1/2 UNC GRD 8 | 2 |
| 23 | AAB-006-00038 | CHAIN GRD 30 - 54 INCHES | 1 |
| 24 | AAB-006-00067 | HDPE SHIELD CNVR SIDE 5FT WING 1/4T | 1 |
| 25 | AAB-015-10028 | BOLT CARRIAGE 3/8 X 1 UNC | 25 |
| 26 | AAB-015-10056 | BOLT HEX 3/8 X 1 UNC GRD 2 | 5 |
| 27 | AAB-015-10059 | BOLT HEX 3/8 X 1-1/2 UNC GRD 2 | 6 |
| 28 | AAB-015-10060 | BOLT CARRIAGE 3/8 X 1-1/4 UNC GRD 2 | 8 |
| 29 | AAB-015-10061 | BOLT CARRIAGE 3/8 X 1-1/2 UNC GRD 5 | 8 |
| 30 | AAB-015-10062 | BOLT CARRIAGE 3/8 X 4 UNC GRD 2 | 2 |
| 31 | AAB-015-10063 | BOLT HEX 1/2 X 1-1/2 UNC GRD 5 | 1 |
| 32 | AAB-015-10064 | BOLT HEX 1/2 X 2 UNC GRD 5 | 2 |
| 33 | AAB-015-10081 | BOLT CARRIAGE 3/8 X 2 UNC GRD 5 | 4 |
| 34 | AAB-015-20011 | NUT HEX 1/2 UNC GRD 5 | 3 |
| 35 | AAB-015-20012 | NUT HEX 3/8 LOCK NYLON GRD 2 | 3 |
| 36 | AAB-015-20013 | NUT HEX 5/8 UNC GRD 8 | 2 |
| 37 | AAB-015-20017 | NUT HEX 3/8 UNC GRD 2 | 61 |
| 38 | AAB-015-30009 | WSHR FLAT 2.5 OD X 1.06 ID X 1/8T | 3 |
| 39 | AAB-015-30012 | WSHR FLAT 3/8 USS | 33 |
| 40 | AAB-015-30017 | WSHR LOCK 3/8 | 55 |
| 41 | AAB-015-30018 | WSHR LOCK 1/2 | 3 |
| 42 | AAB-015-30019 | WSHR LOCK 5/8 | 2 |
| 43 | AAB-015-30020 | WSHR FLAT 5/8 USS | 2 |
| 44 | AAB-015-40008 | LOCKING PIN CAP | 1 |

| | | | | | | | |
|--------------------------------------|---------|--------------|----|------|-------------|-------------------|----|
| UNITS | PAPER A | SHEET 1 OF 1 | R# | DATE | DESCRIPTION | DR | CK |
| TITLE 6FT 60" RTH ASSY (PARTS ORDER) | | | | | FILE NO | AAA-006-00993.idw | |

| | | | |
|--|----|---|--|
| DR | GM | TOLERANCES (UNLESS SPECIFIED OTHERWISE) FRACTIONAL ± 1/16" DEC X.X ± 0.1" DEC X.XX ± 0.06" DEC X.XXX ± 0.031" ANGULAR ± 0.5° | |
| DAT 7/12/2013 | | | |
| MAT | | | |
| <small>CONFIDENTIAL: THESE DRAWINGS AND COPIES THEREOF REMAIN THE PROPERTY OF JAY-LOR FABRICATING INC. ANY PERSON FOUND UNLAWFULLY USING, DISTRIBUTING, OR IN POSSESSION OF THE ABOVE WILL BE PROSECUTED</small> | | | |

| Parts List | | | |
|------------|---------------|-------------------------------------|-----|
| ITEM | PART NUMBER | TITLE | QTY |
| 1 | AAA-006-00127 | CNVR WING ASSY 6FT | 1 |
| 2 | AAA-006-00131 | 6 FT FLAT CNVR ASSY | 1 |
| 3 | AAA-006-00379 | APRON CHAIN C55 W WITH 86 LINKS | 1 |
| 4 | AAA-006-00616 | CNVR PIVOT PIN ASSY | 1 |
| 5 | AAB-015-10061 | BOLT CARRIAGE 3/8 X 1-1/2 UNC GRD 5 | 8 |
| 6 | AAB-015-20017 | NUT HEX 3/8 UNC GRD 2 | 8 |
| 7 | AAB-015-30017 | WSHR LOCK 3/8 | 8 |



| | | | |
|---|----------|---------------------------|-----|
| 1 | 05/22/07 | MADE SHIELD ASSY SEPERATE | LMV |
|---|----------|---------------------------|-----|

| | | |
|--------------|---|--|
| DR PJ Feige | TOLERANCES (UNLESS SPECIFIED OTHERWISE) FRACTIONAL ± 1/16" DEC X.X ± 0.1" DEC X.XX ± 0.06" DEC X.XXX ± 0.031" ANGULAR ± 0.5° | JAY•LOR <i>Fabricating Inc</i> |
| DAT 3/8/2007 | | |
| MAT | | |

| | | | | | | | |
|------------|---------|--------------|----|------|-------------|----|----|
| UNITS EACH | PAPER A | SHEET 1 OF 1 | R# | DATE | DESCRIPTION | DR | CK |
|------------|---------|--------------|----|------|-------------|----|----|

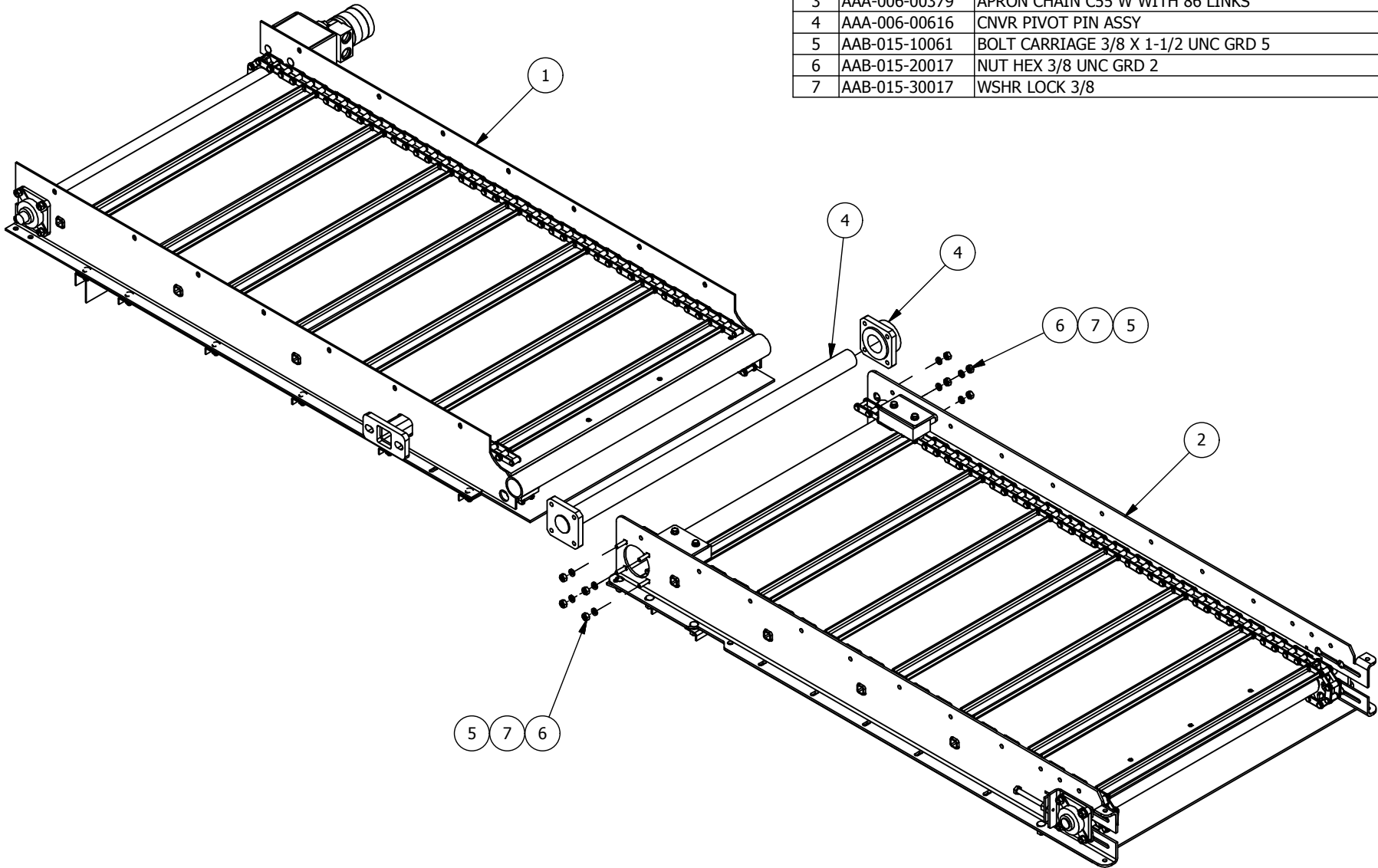
TITLE 6FT 72" RTH BASE ASSY

FILE NO AAA-006-00012.idw

CONFIDENTIAL: THESE DRAWINGS AND COPIES THEREOF REMAIN THE PROPERTY OF JAY-LOR FABRICATING INC. ANY PERSON FOUND UNLAWFULLY USING, DISTRIBUTING, OR IN POSSESSION OF THE ABOVE WILL BE PROSECUTED

Parts List

| ITEM | PART NUMBER | TITLE | QTY |
|------|---------------|-------------------------------------|-----|
| 1 | AAA-006-00127 | CNVR WING ASSY 6FT | 1 |
| 2 | AAA-006-00131 | 6 FT FLAT CNVR ASSY | 1 |
| 3 | AAA-006-00379 | APRON CHAIN C55 W WITH 86 LINKS | 1 |
| 4 | AAA-006-00616 | CNVR PIVOT PIN ASSY | 1 |
| 5 | AAB-015-10061 | BOLT CARRIAGE 3/8 X 1-1/2 UNC GRD 5 | 8 |
| 6 | AAB-015-20017 | NUT HEX 3/8 UNC GRD 2 | 8 |
| 7 | AAB-015-30017 | WSHR LOCK 3/8 | 8 |



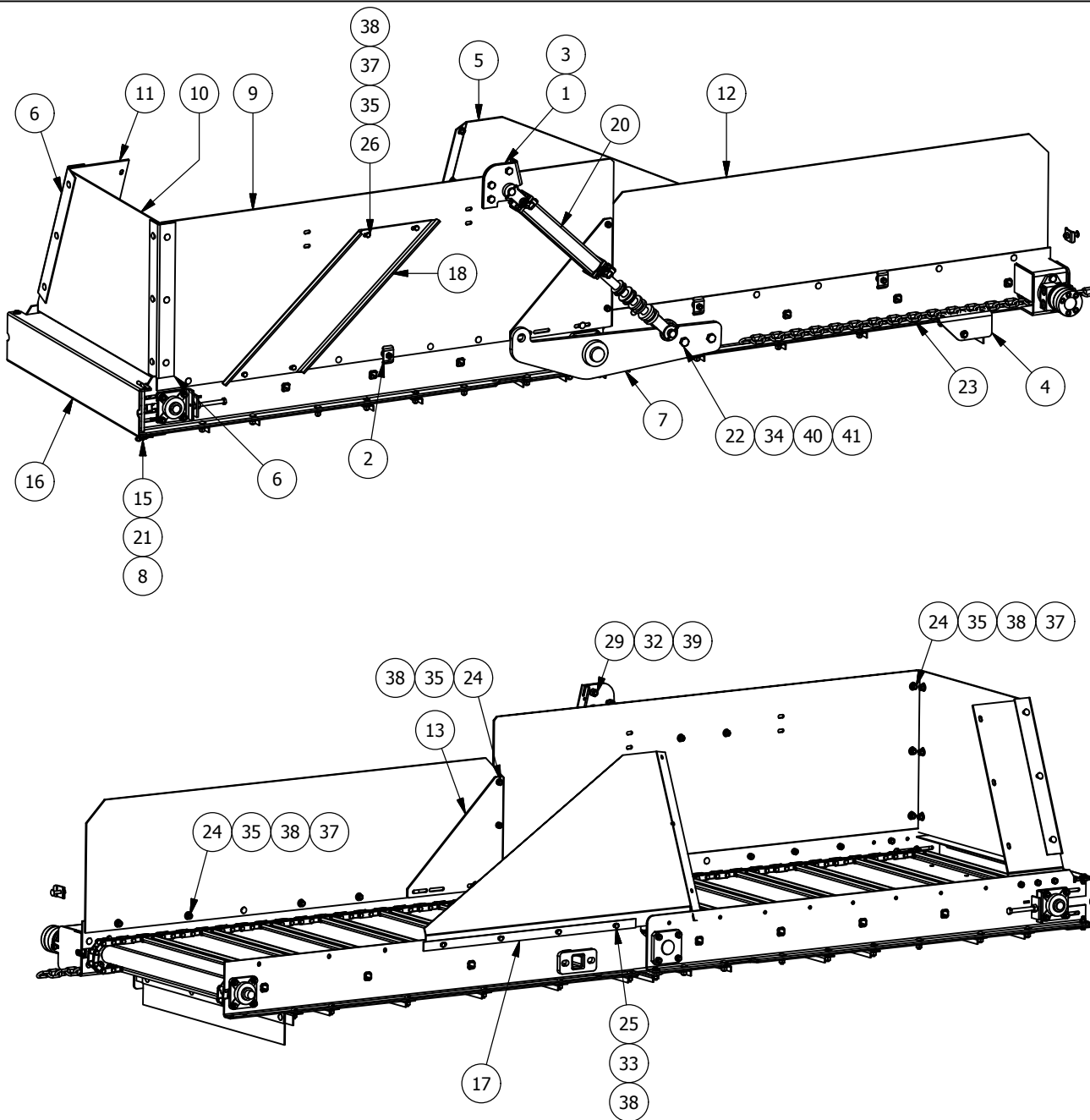
| | | | | | | | |
|-------|---------|--------------|----|------|-------------|----|----|
| UNITS | PAPER A | SHEET 1 OF 1 | R# | DATE | DESCRIPTION | DR | CK |
|-------|---------|--------------|----|------|-------------|----|----|

TITLE 6FT 72" RTH BASE ASSY

FILE NO AAA-006-00626.idw

| | | |
|---------------|---|-----------------------------------|
| DR PJ Feige | TOLERANCES (UNLESS SPECIFIED OTHERWISE) FRACTIONAL ± 1/16" DEC X.X ± 0.1" DEC X.XX ± 0.06" DEC X.XXX ± 0.031" ANGULAR ± 0.5° | JAY-LOR Fabricating Inc |
| DAT 9/28/2010 | | |
| MAT | | |

CONFIDENTIAL: THESE DRAWINGS AND COPIES THEREOF REMAIN THE PROPERTY OF JAY-LOR FABRICATING INC. ANY PERSON FOUND UNLAWFULLY USING, DISTRIBUTING, OR IN POSSESSION OF THE ABOVE WILL BE PROSECUTED



Parts List

| ITE | PART NUMBER | TITLE | QTY |
|-----|---------------|---|-----|
| 1 | AAA-002-00174 | PLT SUPT VRTCL FRAME 6FT CNVR WING | 1 |
| 2 | AAA-002-00343 | HYD HOSE CLIP | 4 |
| 3 | AAA-002-00459 | 6FT WING CHAIN HOOK | 1 |
| 4 | AAA-002-00460 | CHAIN KEYHOLE STOP 1/4T | 1 |
| 5 | AAA-006-00048 | RUBR WING SHIELD FOR LTH DISCHARGE | 1 |
| 6 | AAA-006-00054 | CORNER ANGLE FOR CNVR SHIELDS | 2 |
| 7 | AAA-006-00057 | CNVR LIFT ARM WELDMENT | 1 |
| 8 | AAA-006-00135 | PLASTIC SPCR 1/4T | 2 |
| 9 | AAA-006-00259 | HDPE SHIELD FRT 6 FT FLAT 1/4T | 1 |
| 10 | AAA-006-00260 | HDPE SHIELD CNVR 6FT FLAT END 1/4T | 1 |
| 11 | AAA-006-00261 | HDPE SHIELD 6FT FLAT CNVR DRUM SIDE 1/4T | 1 |
| 12 | AAA-006-00271 | HDPE SHIELD CNVR SIDE 6FT WING 1/4T | 1 |
| 13 | AAA-006-00327 | BRACE CNVR SHIELD 1/4T | 2 |
| 14 | AAA-006-00406 | SUPT ANGLE CNVR BOTTOM SHIELD | 5 |
| 15 | AAA-006-00450 | PIN BENT ADJUSTMENT 3/8 X 7-3/4 | 1 |
| 16 | AAA-006-00451 | CNVR BOOT WITH FB BRACES GALVANIZED | 1 |
| 17 | AAA-006-00527 | FLAT BAR RUBBER BACKING 1/8T | 1 |
| 18 | AAA-006-00554 | BRACE 6FT WING LTH DISCHARGE 1/4T | 1 |
| 19 | AAA-006-00626 | 6FT 72" RTH BASE ASSY | 1 |
| 20 | AAA-009-00088 | KIT HOSE AND FIT FOR 6FT CNVR WITH 6FT WING LTH DISCHARGE | 1 |
| 21 | AAB-001-00019 | PIN HTCH CLIP 1/8 X 2-9/16 | 1 |
| 22 | AAB-005-00005 | BOLT HEX 5/8 X 2-1/2 UNC GRD 8 | 2 |
| 23 | AAB-006-00038 | CHAIN GRD 30 - 54 INCHES | 1 |
| 24 | AAB-015-10028 | BOLT CARRIAGE 3/8 X 1 UNC | 29 |
| 25 | AAB-015-10056 | BOLT HEX 3/8 X 1 UNC GRD 2 | 5 |
| 26 | AAB-015-10059 | BOLT HEX 3/8 X 1-1/2 UNC GRD 2 | 6 |
| 27 | AAB-015-10060 | BOLT CARRIAGE 3/8 X 1-1/4 UNC GRD 2 | 9 |
| 28 | AAB-015-10061 | BOLT CARRIAGE 3/8 X 1-1/2 UNC GRD 5 | 4 |
| 29 | AAB-015-10063 | BOLT HEX 1/2 X 1-1/2 UNC GRD 5 | 1 |
| 30 | AAB-015-10064 | BOLT HEX 1/2 X 2 UNC GRD 5 | 2 |
| 31 | AAB-015-10081 | BOLT CARRIAGE 3/8 X 2 UNC GRD 5 | 4 |
| 32 | AAB-015-20011 | NUT HEX 1/2 UNC GRD 5 | 3 |
| 33 | AAB-015-20012 | NUT HEX 3/8 LOCK NYLON GRD 2 | 2 |
| 34 | AAB-015-20013 | NUT HEX 5/8 UNC GRD 8 | 2 |
| 35 | AAB-015-20017 | NUT HEX 3/8 UNC GRD 2 | 61 |
| 36 | AAB-015-30009 | WSHR FLAT 2.5 OD X 1.06 ID X 1/8T | 3 |
| 37 | AAB-015-30012 | WSHR FLAT 3/8 USS | 34 |
| 38 | AAB-015-30017 | WSHR LOCK 3/8 | 56 |
| 39 | AAB-015-30018 | WSHR LOCK 1/2 | 3 |
| 40 | AAB-015-30019 | WSHR LOCK 5/8 | 2 |
| 41 | AAB-015-30020 | WSHR FLAT 5/8 USS | 2 |
| 42 | AAB-015-40008 | LOCKING PIN CAP | 1 |

DR PJ Feige

DAT 7/16/2013

MAT

TOLERANCES (UNLESS SPECIFIED OTHERWISE)
 FRACTIONAL ± 1/16"
 DEC X.X ± 0.1"
 DEC X.XX ± 0.06"
 DEC X.XXX ± 0.031"
 ANGULAR ± 0.5°

JAY-LOR
 Fabricating Inc

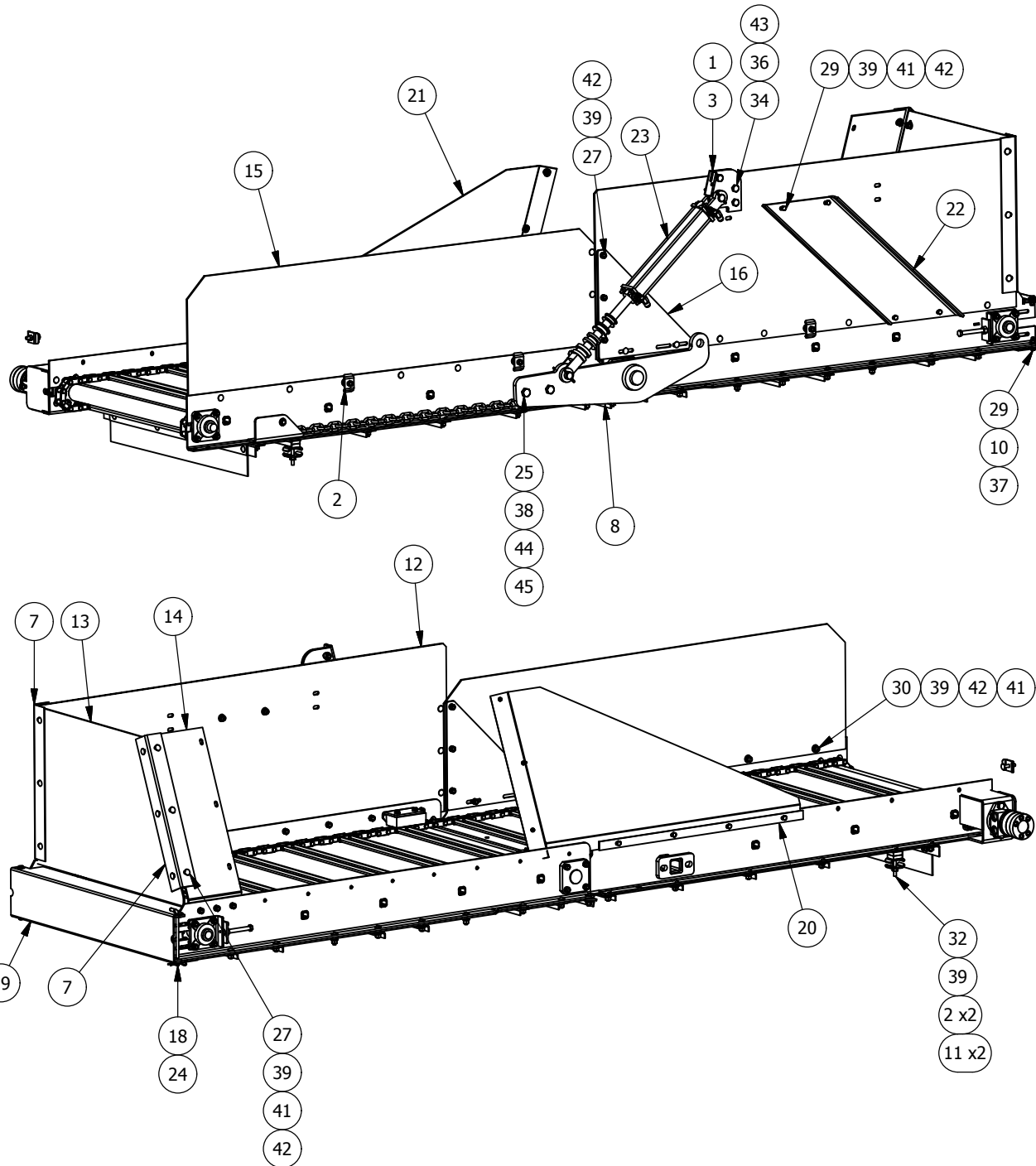
UNITS PAPER A SHEET 1 OF 1 R# DATE DESCRIPTION

DR CK

TITLE 6FT 72" LTH ASSY (PARTS ORDER)

FILE NO AAA-006-00996.idw

CONFIDENTIAL: THESE DRAWINGS AND COPIES THEREOF REMAIN THE PROPERTY OF JAY-LOR FABRICATING INC. ANY PERSON FOUND UNLAWFULLY USING, DISTRIBUTING, OR IN POSSESSION OF THE ABOVE WILL BE PROSECUTED



Parts List

| ITE | PART NUMBER | TITLE | QTY |
|-----|---------------|---|-----|
| 5 | AAA-006-00012 | 6FT 72" RTH BASE ASSY | 1 |
| 17 | AAA-006-00406 | SUPT ANGLE CNVR BOTTOM SHIELD | 5 |
| 30 | AAB-015-10060 | BOLT CARRIAGE 3/8 X 1-1/4 UNC GRD 2 | 9 |
| 31 | AAB-015-10061 | BOLT CARRIAGE 3/8 X 1-1/2 UNC GRD 5 | 8 |
| 42 | AAB-015-30017 | WSHR LOCK 3/8 | 56 |
| 41 | AAB-015-30012 | WSHR FLAT 3/8 USS | 34 |
| 39 | AAB-015-20017 | NUT HEX 3/8 UNC GRD 2 | 62 |
| 4 | AAA-002-00460 | CHAIN KEYHOLE STOP 1/4T | 1 |
| 1 | AAA-002-00174 | PLT SUPT VRTCL FRAME 6FT CNVR WING | 1 |
| 3 | AAA-002-00459 | 6FT WING CHAIN HOOK | 1 |
| 10 | AAA-006-00135 | PLASTIC SPCR 1/4T | 2 |
| 12 | AAA-006-00259 | HDPE SHIELD FRT 6 FT FLAT 1/4T | 1 |
| 13 | AAA-006-00260 | HDPE SHIELD CNVR 6FT FLAT END 1/4T | 1 |
| 14 | AAA-006-00261 | HDPE SHIELD 6FT FLAT CNVR DRUM SIDE 1/4T | 1 |
| 18 | AAA-006-00450 | PIN BENT ADJUSTMENT 3/8 X 7-3/4 | 1 |
| 22 | AAA-006-00555 | BRACE 6FT WING RTH DISCHARGE 1/4T | 1 |
| 19 | AAA-006-00451 | CNVR BOOT WITH FB BRACES GALVANIZED | 1 |
| 29 | AAB-015-10059 | BOLT HEX 3/8 X 1-1/2 UNC GRD 2 | 6 |
| 28 | AAB-015-10056 | BOLT HEX 3/8 X 1 UNC GRD 2 | 5 |
| 37 | AAB-015-20012 | NUT HEX 3/8 LOCK NYLON GRD 2 | 3 |
| 27 | AAB-015-10028 | BOLT CARRIAGE 3/8 X 1 UNC | 25 |
| 46 | AAB-015-40008 | LOCKING PIN CAP | 1 |
| 24 | AAB-001-00019 | PIN HTCH CLIP 1/8 X 2-9/16 | 1 |
| 8 | AAA-006-00057 | CNVR LIFT ARM WELDMENT | 1 |
| 25 | AAB-005-00005 | BOLT HEX 5/8 X 2-1/2 UNC GRD 8 | 2 |
| 45 | AAB-015-30020 | WSHR FLAT 5/8 USS | 2 |
| 38 | AAB-015-20013 | NUT HEX 5/8 UNC GRD 8 | 2 |
| 44 | AAB-015-30019 | WSHR LOCK 5/8 | 2 |
| 34 | AAB-015-10064 | BOLT HEX 1/2 X 2 UNC GRD 5 | 2 |
| 33 | AAB-015-10063 | BOLT HEX 1/2 X 1-1/2 UNC GRD 5 | 1 |
| 36 | AAB-015-20011 | NUT HEX 1/2 UNC GRD 5 | 3 |
| 43 | AAB-015-30018 | WSHR LOCK 1/2 | 3 |
| 26 | AAB-006-00038 | CHAIN GRD 30 - 54 INCHES | 1 |
| 23 | AAA-009-00100 | KIT HOSE AND FIT FOR 6FT CNVR WITH 6FT WING RTH DISCHARGE | 1 |
| 40 | AAB-015-30009 | WSHR FLAT 2.5 OD X 1.06 ID X 1/8T | 3 |
| 21 | AAA-006-00544 | RUBR WING SHIELD FOR RTH DISCHARGE | 1 |
| 2 | AAA-002-00343 | HYD HOSE CLIP | 8 |
| 32 | AAB-015-10062 | BOLT CARRIAGE 3/8 X 4 UNC GRD 2 | 2 |
| 11 | AAA-006-00223 | PLASTIC SPCR 1/2T | 4 |
| 15 | AAA-006-00271 | HDPE SHIELD CNVR SIDE 6FT WING 1/4T | 1 |
| 35 | AAB-015-10081 | BOLT CARRIAGE 3/8 X 2 UNC GRD 5 | 4 |
| 20 | AAA-006-00527 | FLAT BAR RUBBER BACKING 1/8T | 1 |
| 7 | AAA-006-00054 | CORNER ANGLE FOR CNVR SHIELDS | 2 |
| 16 | AAA-006-00327 | BRACE CNVR SHIELD 1/4T | 2 |

DR PJ Feige

DAT 7/16/2013

MAT

TOLERANCES (UNLESS SPECIFIED OTHERWISE)
 FRACTIONAL ± 1/16"
 DEC X.X ± 0.1"
 DEC X.XX ± 0.06"
 DEC X.XXX ± 0.031"
 ANGULAR ± 0.5°

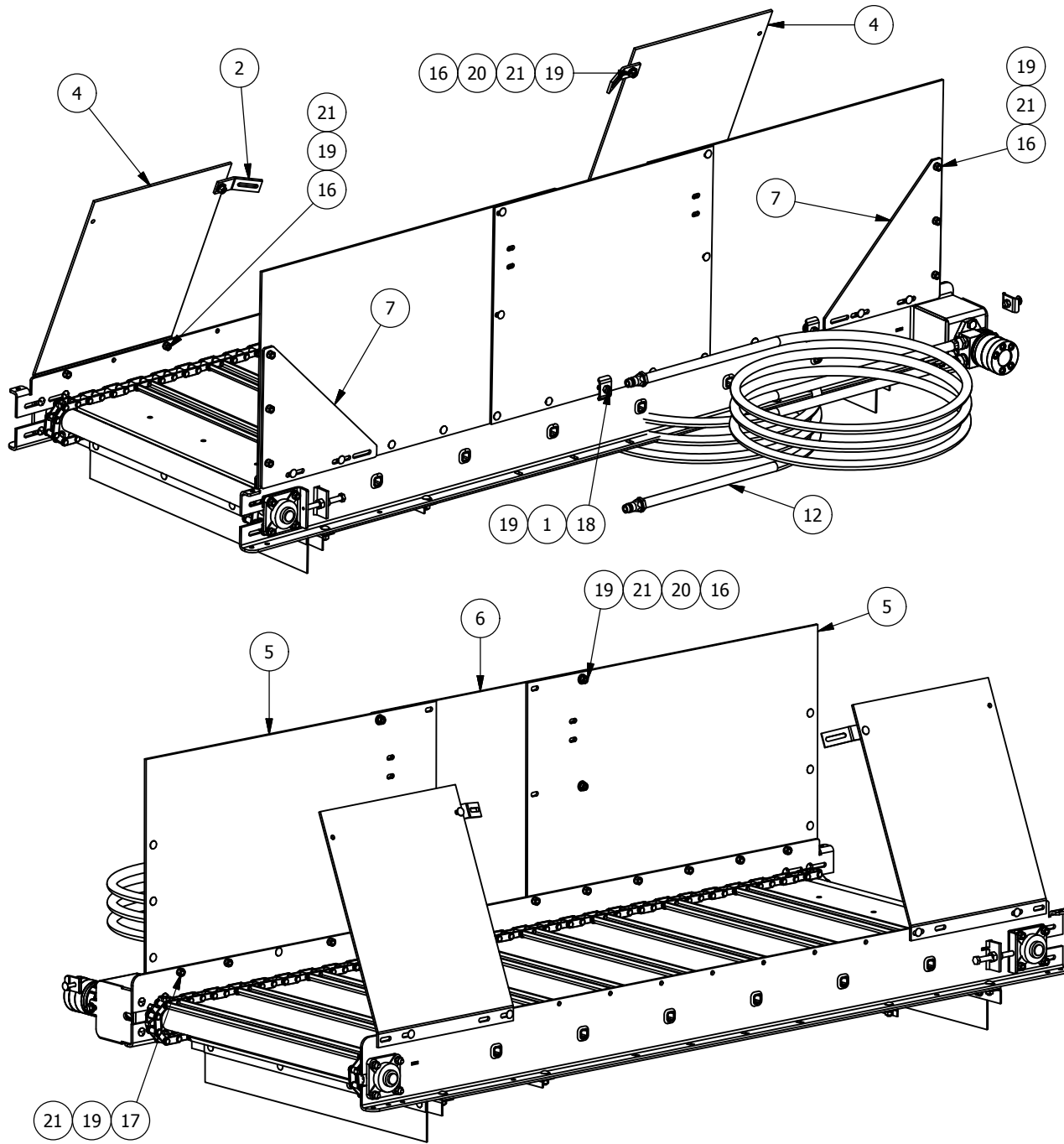
JAY-LOR
 Fabricating Inc

UNITS PAPER A SHEET 1 OF 1 R# DATE DESCRIPTION DR CK

TITLE 6FT 72" RTH ASSY (PARTS ORDER)

FILE NO AAA-006-00995.idw

CONFIDENTIAL: THESE DRAWINGS AND COPIES THEREOF REMAIN THE PROPERTY OF JAY-LOR FABRICATING INC. ANY PERSON FOUND UNLAWFULLY USING, DISTRIBUTING, OR IN POSSESSION OF THE ABOVE WILL BE PROSECUTED



Parts List

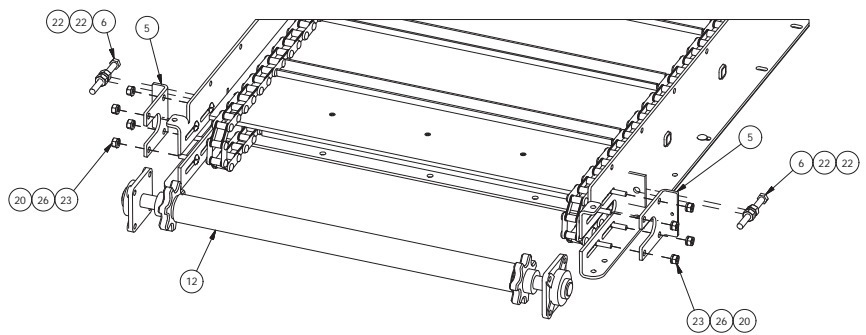
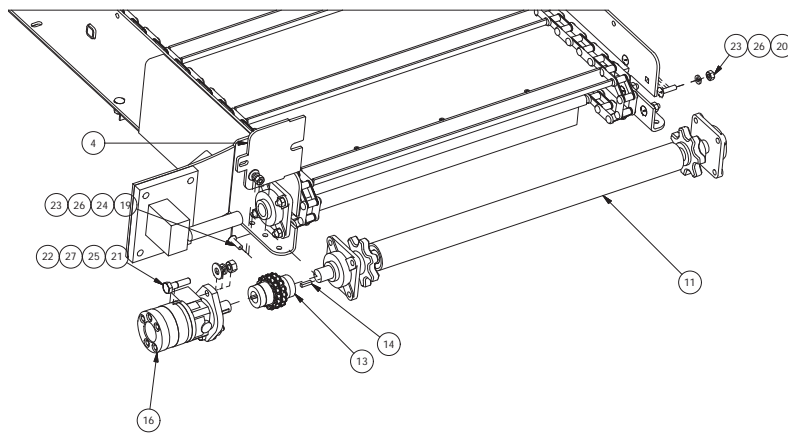
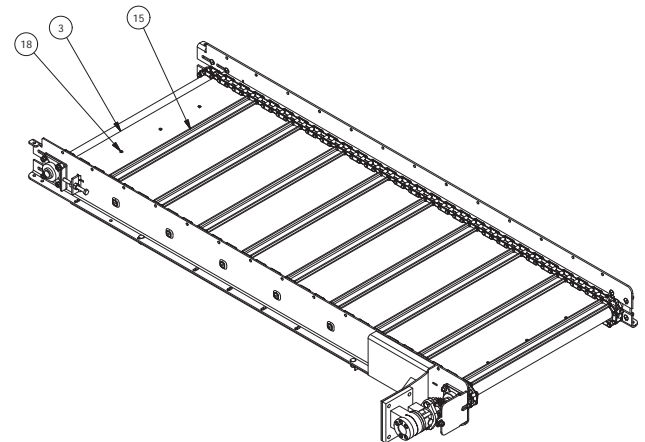
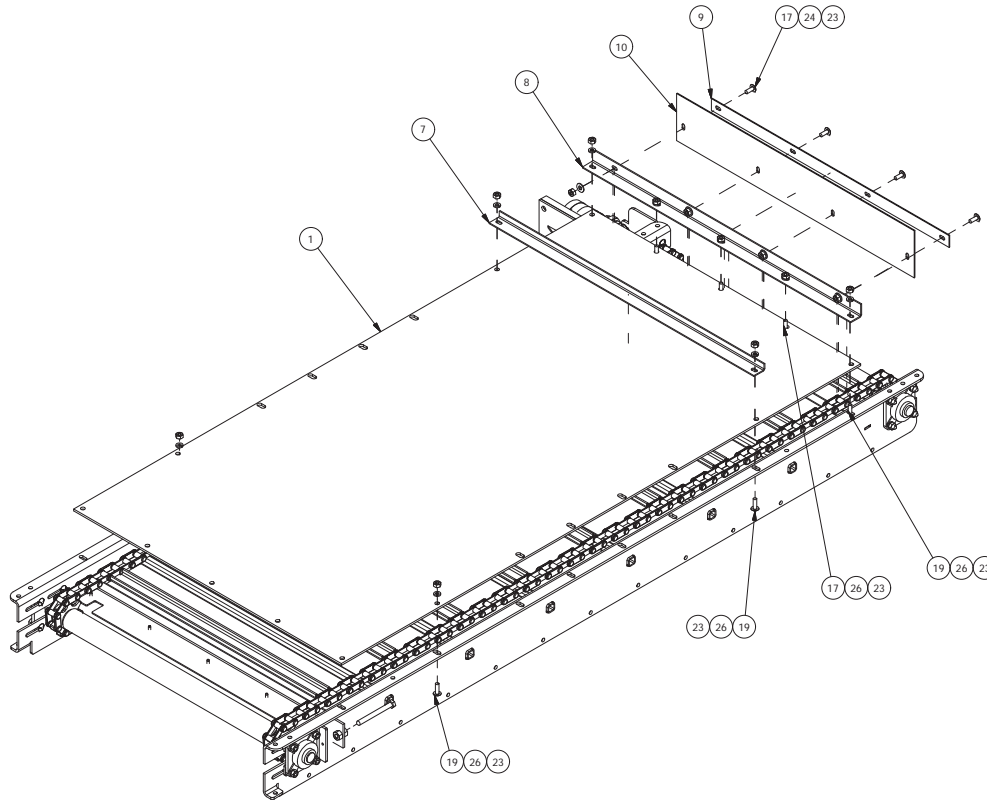
| ITE | PART NUMBER | TITLE | QTY |
|-----|---------------|---|-----|
| 1 | AAA-002-00343 | HYD HOSE CLIP | 3 |
| 2 | AAA-006-00078 | SHIELD BRACE | 2 |
| 3 | AAA-006-00128 | 8 FT FLAT CNVR ASSY | 1 |
| 4 | AAA-006-00263 | SHIELD CNVR BACK 8FT FLAT | 2 |
| 5 | AAA-006-00264 | HDPE SHIELD CNVR SIDE 8 FT / 9 FT 2 1/4T | 2 |
| 6 | AAA-006-00265 | HDPE SHIELD CNVR CTR 8 FT / 9 FT 2 1/4T | 1 |
| 7 | AAA-006-00327 | BRACE CNVR SHIELD 1/4T | 2 |
| 8 | AAA-006-00406 | SUPT ANGLE CNVR BOTTOM SHIELD | 1 |
| 9 | AAA-006-00408 | SUPT ANGLE AND RUBR SHIELD MNT FOR FLAT CNVR 1/8T | 1 |
| 10 | AAA-006-00409 | RUBR FLAP RETAINER FB | 1 |
| 11 | AAA-006-00410 | RUBR FLAP FOR UNDERSIDE OF CNVR | 1 |
| 12 | AAA-009-00098 | KIT HYD HOSE AND FIT DUAL FLAT CNVR | 1 |
| 13 | AAB-009-00080 | FIT ADPT 8 MJIC X 10 MORB | 1 |
| 14 | AAB-009-00089 | FIT ADPT 10 ADJUST MORB X 10 MORB | 1 |
| 15 | AAB-009-00321 | VALVE CHECK 10 FORB X 10 FORB | 1 |
| 16 | AAB-015-10028 | BOLT CARRIAGE 3/8 X 1 UNC | 26 |
| 17 | AAB-015-10060 | BOLT CARRIAGE 3/8 X 1-1/4 UNC GRD 2 | 10 |
| 18 | AAB-015-10081 | BOLT CARRIAGE 3/8 X 2 UNC GRD 5 | 3 |
| 19 | AAB-015-20017 | NUT HEX 3/8 UNC GRD 2 | 41 |
| 20 | AAB-015-30012 | WSHR FLAT 3/8 USS | 12 |
| 21 | AAB-015-30017 | WSHR LOCK 3/8 | 32 |
| 22 | AAB-015-30018 | WSHR LOCK 1/2 | 2 |

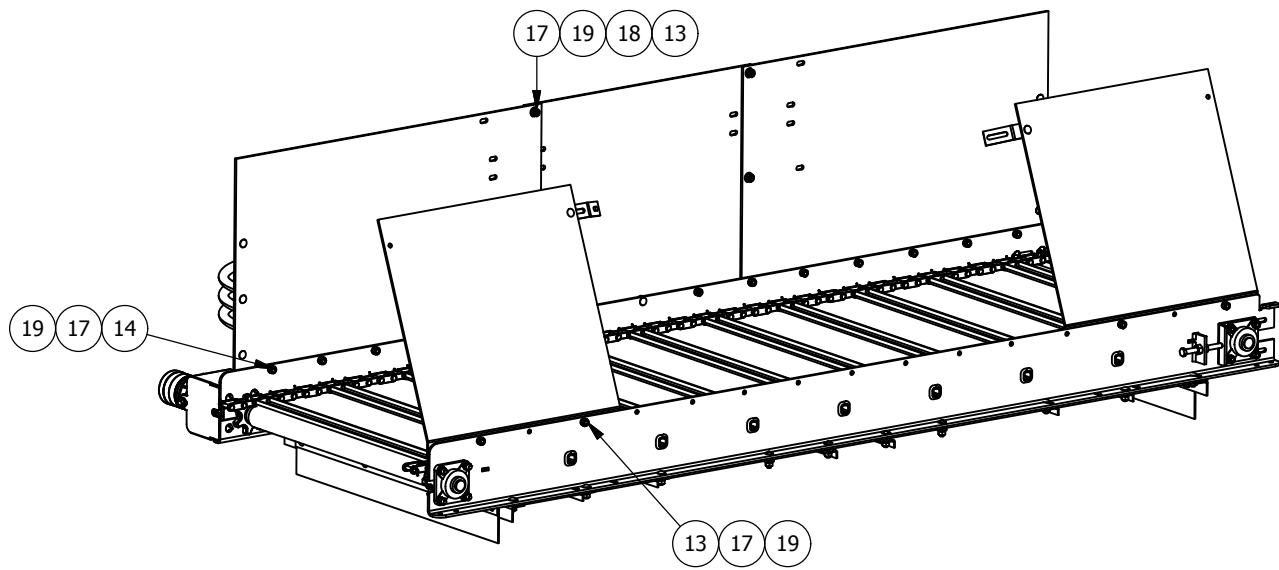
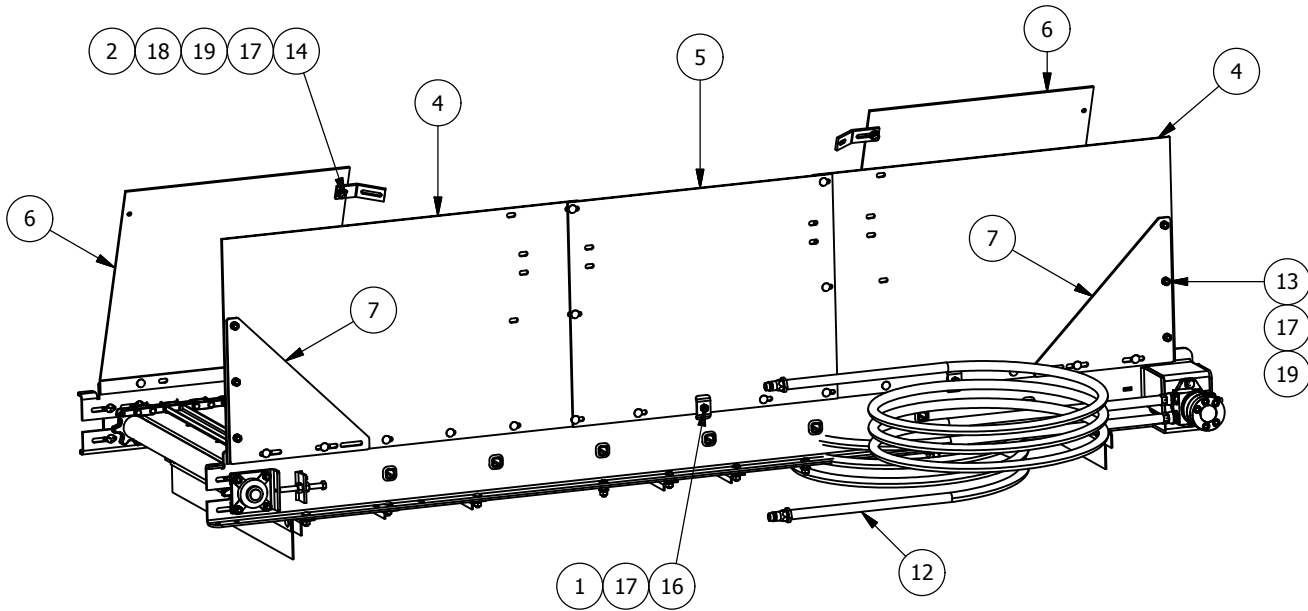
| | | | |
|-----|-----------|---|--|
| DR | JET | TOLERANCES (UNLESS SPECIFIED OTHERWISE) FRACTIONAL ± 1/16" DEC X.X ± 0.1" DEC X.XX ± 0.06" DEC X.XXX ± 0.031" ANGULAR ± 0.5° | |
| DAT | 7/11/2013 | | |
| MAT | | | |

| | | | | | | | |
|-----------------------------------|---------|--------------|----|------|-------------|-------------------|----|
| UNITS | PAPER A | SHEET 1 OF 1 | R# | DATE | DESCRIPTION | DR | CK |
| TITLE 8FT FLAT ASSY (PARTS ORDER) | | | | | FILE NO | AAA-006-00988.idw | |

CONFIDENTIAL: THESE DRAWINGS AND COPIES THEREOF REMAIN THE PROPERTY OF JAY-LOR FABRICATING INC. ANY PERSON FOUND UNLAWFULLY USING, DISTRIBUTING, OR IN POSSESSION OF THE ABOVE WILL BE PROSECUTED

| Parts List | | | |
|------------|---------------|---|-----|
| ITEM | PART NUMBER | TITLE | QTY |
| 1 | AAA-006-00077 | 8 FT UNDERSHIELD 8FT FLAT CNVR | 1 |
| 2 | AAA-006-00089 | 8 FT FLAT CNVR WELDMENT GALVANIZED | 1 |
| 3 | AAA-006-00248 | HDPE FLR 8FT FLAT CNVR 3/8T | 1 |
| 4 | AAA-006-00272 | REMOVABLE CNVR MOTOR MNT COVER 3/16T | 1 |
| 5 | AAA-006-00351 | CNVR FLNG BRNG HOLDER | 2 |
| 6 | AAA-006-00352 | BOLT HEX FULL THREAD MOD 1/2 X 5 X 13 | 2 |
| 7 | AAA-006-00406 | SUPT ANGLE CNVR BOTTOM SHIELD | 1 |
| 8 | AAA-006-00408 | SUPT ANGLE AND RUBR SHIELD MNT FOR FLAT CNVR 1/8T | 1 |
| 9 | AAA-006-00409 | RUBR FLAP RETAINER FB | 1 |
| 10 | AAA-006-00410 | RUBR FLAP FOR UNDERSIDE OF CNVR | 1 |
| 11 | AAA-006-00617 | CNVR DRIVESHAFT ASSY | 1 |
| 12 | AAA-006-00618 | CNVR IDLER SHAFT ASSY | 1 |
| 13 | AAB-006-00026 | CNVR CHAIN COUPLER ASSY | 1 |
| 14 | AAB-006-00030 | SHEAR KEY 1/4 X 1 | 1 |
| 15 | AAB-006-00031 | APRON CHAIN C55 W WITH 58 LINKS | 1 |
| 16 | AAB-009-00001 | HYD CNVR MOTOR 1 KEYED | 1 |
| 17 | AAB-015-10028 | BOLT CARRIAGE 3/8 X 1 UNC | 7 |
| 18 | AAB-015-10051 | FLOORBOARD SCREW 1/4 X 1" TORX HEAD | 10 |
| 19 | AAB-015-10060 | BOLT CARRIAGE 3/8 X 1-1/4 UNC GRD 2 | 7 |
| 20 | AAB-015-10061 | BOLT CARRIAGE 3/8 X 1-1/2 UNC GRD 5 | 16 |
| 21 | AAB-015-10064 | BOLT HEX 1/2 X 2 UNC GRD 5 | 2 |
| 22 | AAB-015-20011 | NUT HEX 1/2 UNC GRD 5 | 6 |
| 23 | AAB-015-20017 | NUT HEX 3/8 UNC GRD 2 | 30 |
| 24 | AAB-015-30012 | WSHR FLAT 3/8 USS | 5 |
| 25 | AAB-015-30013 | WSHR FLAT 1/2 USS | 2 |
| 26 | AAB-015-30017 | WSHR LOCK 3/8 | 26 |
| 27 | AAB-015-30018 | WSHR LOCK 1/2 | 2 |





Parts List

| ITE | PART NUMBER | TITLE | QTY |
|-----|---------------|---|-----|
| 1 | AAA-002-00343 | HYD HOSE CLIP | 2 |
| 2 | AAA-006-00078 | SHIELD BRACE | 2 |
| 3 | AAA-006-00132 | 9FT 2 FLAT CNVR ASSY | 1 |
| 4 | AAA-006-00264 | HDPE SHIELD CNVR SIDE 8 FT / 9 FT 2 1/4T | 2 |
| 5 | AAA-006-00265 | HDPE SHIELD CNVR CTR 8 FT / 9 FT 2 1/4T | 1 |
| 6 | AAA-006-00324 | HDPE SHIELD CNVR BACK 9 FT 2 FLAT 1/4T | 2 |
| 7 | AAA-006-00327 | BRACE CNVR SHIELD 1/4T | 2 |
| 8 | AAA-006-00406 | SUPT ANGLE CNVR BOTTOM SHIELD | 4 |
| 9 | AAA-006-00408 | SUPT ANGLE AND RUBR SHIELD MNT FOR FLAT CNVR 1/8T | 1 |
| 10 | AAA-006-00409 | RUBR FLAP RETAINER FB | 1 |
| 11 | AAA-006-00410 | RUBR FLAP FOR UNDERSIDE OF CNVR | 1 |
| 12 | AAA-009-00098 | KIT HYD HOSE AND FIT DUAL FLAT CNVR | 1 |
| 13 | AAB-015-10028 | BOLT CARRIAGE 3/8 X 1 UNC | 25 |
| 14 | AAB-015-10060 | BOLT CARRIAGE 3/8 X 1-1/4 UNC GRD 2 | 12 |
| 15 | AAB-015-10061 | BOLT CARRIAGE 3/8 X 1-1/2 UNC GRD 5 | 8 |
| 16 | AAB-015-10081 | BOLT CARRIAGE 3/8 X 2 UNC GRD 5 | 2 |
| 17 | AAB-015-20017 | NUT HEX 3/8 UNC GRD 2 | 49 |
| 18 | AAB-015-30012 | WSHR FLAT 3/8 USS | 16 |
| 19 | AAB-015-30017 | WSHR LOCK 3/8 | 43 |

| | | | |
|-----|-----------|---|--|
| DR | BCN | TOLERANCES (UNLESS SPECIFIED OTHERWISE) FRACTIONAL ± 1/16" DEC X.X ± 0.1" DEC X.XX ± 0.06" DEC X.XXX ± 0.031" ANGULAR ± 0.5° | |
| DAT | 7/11/2013 | | |
| MAT | | | |

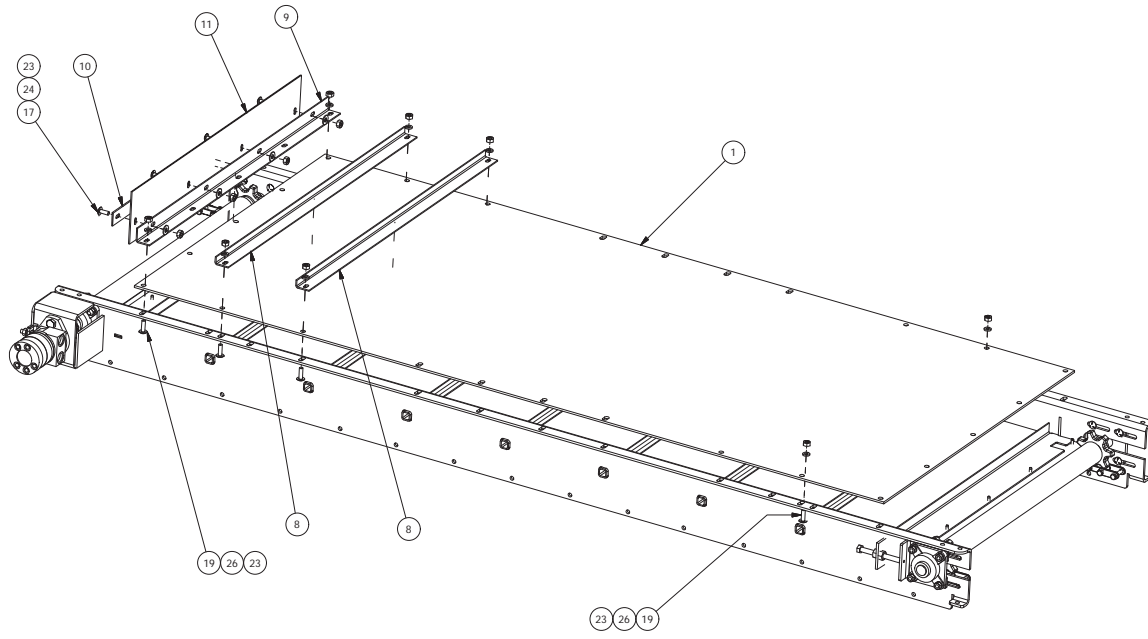
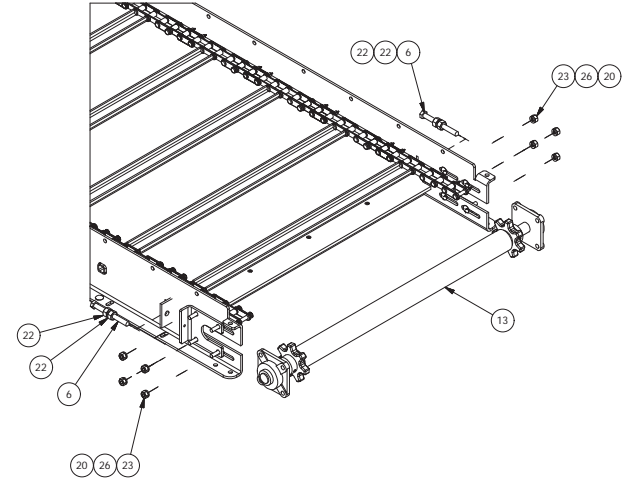
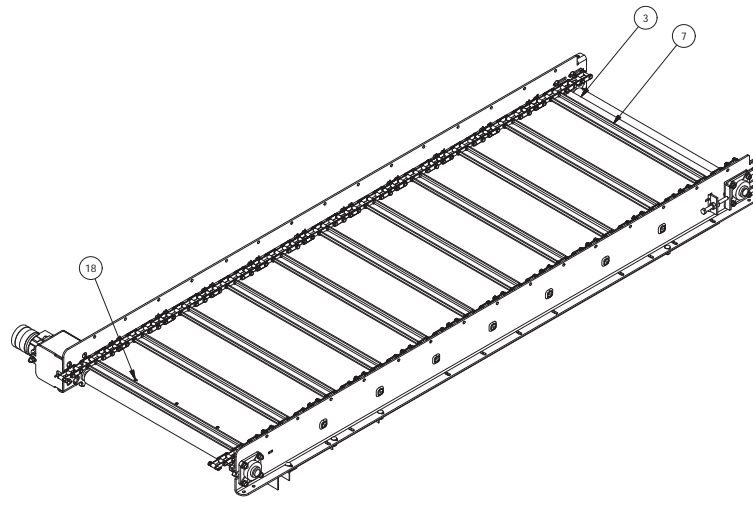
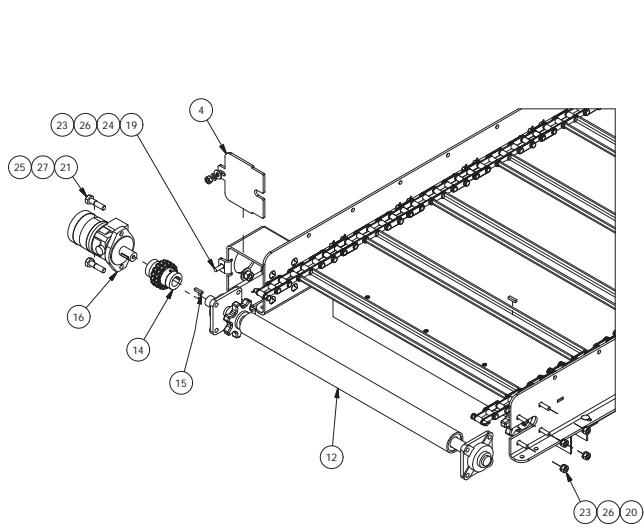
| UNITS | PAPER | SHEET | R# | DATE | DESCRIPTION | DR | CK |
|-------|-------|--------|----|------|-------------|----|----|
| | A | 1 OF 1 | | | | | |

TITLE 9 FT 2 FLAT ASSY (PARTS ORDER) FILE NO AAA-006-00990.idw

CONFIDENTIAL: THESE DRAWINGS AND COPIES THEREOF REMAIN THE PROPERTY OF JAY-LOR FABRICATING INC. ANY PERSON FOUND UNLAWFULLY USING, DISTRIBUTING, OR IN POSSESSION OF THE ABOVE WILL BE PROSECUTED

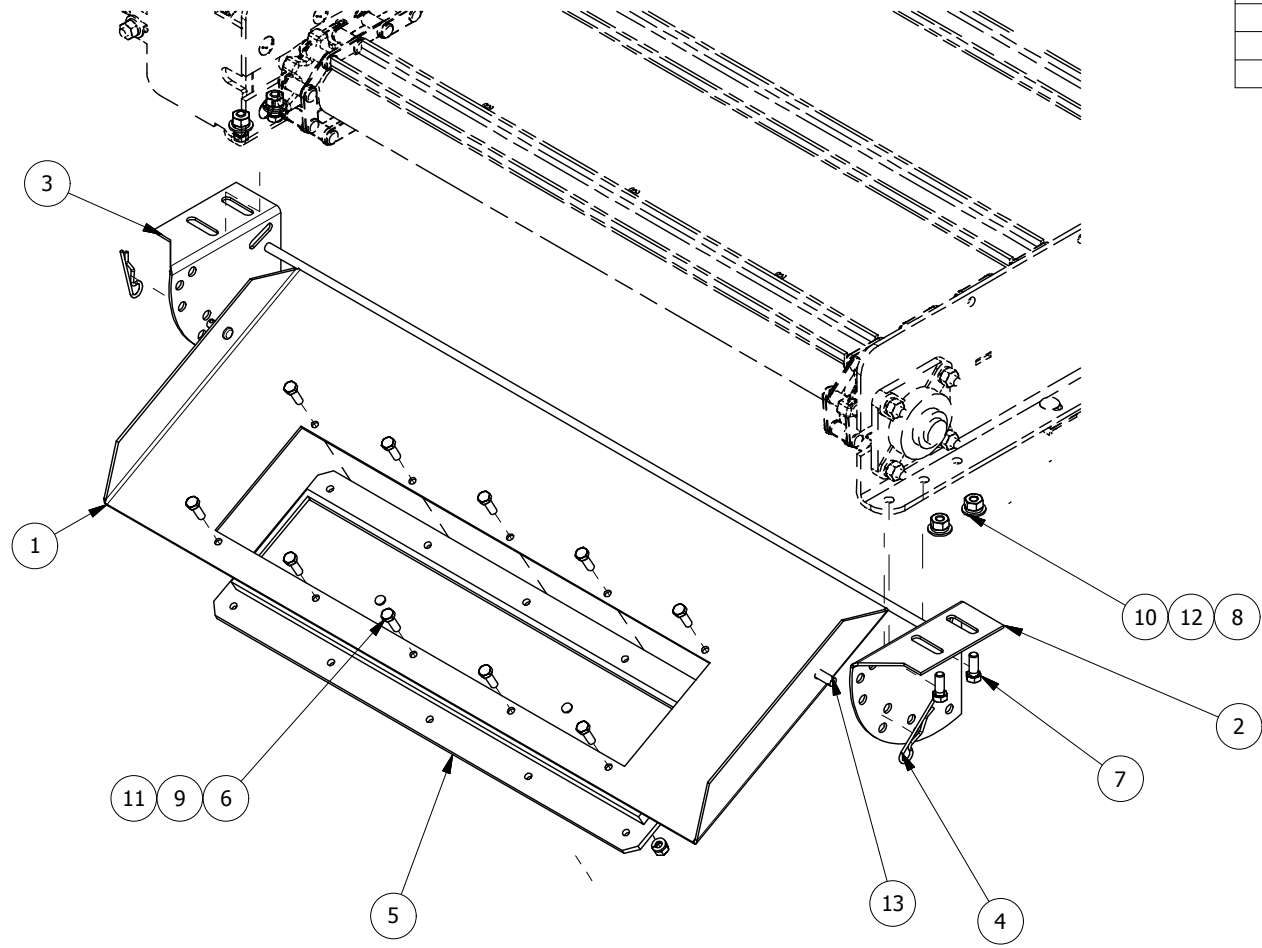
Parts List

| ITEM | PART NUMBER | TITLE | QTY |
|------|---------------|---|-----|
| 1 | AAA-006-00079 | POLY UNDERSHIELD 9 FT 2 FLAT CNVR | 1 |
| 2 | AAA-006-00085 | 9 FT 2 FLAT CNVR WELDMENT GALVANIZED | 1 |
| 3 | AAA-006-00249 | HDPE FLR 9FT 2 FLAT CNVR 3/8T | 1 |
| 4 | AAA-006-00272 | REMOVABLE CNVR MOTOR MNT COVER 3/16T | 1 |
| 5 | AAA-006-00351 | CNVR FLNG BRNG HOLDER | 2 |
| 6 | AAA-006-00352 | BOLT HEX FULL THREAD MOD 1/2 X 5 X 13 | 2 |
| 7 | AAA-006-00376 | APRON CHAIN C55 9FT 2 FLAT (66 LINKS) | 1 |
| 8 | AAA-006-00406 | SUPT ANGLE CNVR BOTTOM SHIELD | 2 |
| 9 | AAA-006-00408 | SUPT ANGLE AND RUBR SHIELD MNT FOR FLAT CNVR 1/8T | 1 |
| 10 | AAA-006-00409 | RUBR FLAP RETAINER FB | 1 |
| 11 | AAA-006-00410 | RUBR FLAP FOR UNDERSIDE OF CNVR | 1 |
| 12 | AAA-006-00617 | CNVR DRIVESHAFT ASSY | 1 |
| 13 | AAA-006-00618 | CNVR IDLER SHAFT ASSY | 1 |
| 14 | AAA-006-00026 | CNVR CHAIN COUPLER ASSY | 1 |
| 15 | AAB-006-00030 | SHEAR KEY 1/4 X 1 | 2 |
| 16 | AAB-009-00001 | HYD CNVR MOTOR 1 KEVED | 1 |
| 17 | AAB-015-10028 | BOLT CARRIAGE 3/8 X 1 UNC | 7 |
| 18 | AAB-015-10051 | FLOORBOARD SCREW 1/4 X 1" TORX HEAD | 10 |
| 19 | AAB-015-10060 | BOLT CARRIAGE 3/8 X 1-1/4 UNC GRD 2 | 9 |
| 20 | AAB-015-10061 | BOLT CARRIAGE 3/8 X 1-1/2 UNC GRD 5 | 16 |
| 21 | AAB-015-10064 | BOLT HEX 1/2 X 2 UNC GRD 5 | 2 |
| 22 | AAB-015-20011 | NUT HEX 1/2 UNC GRD 5 | 6 |
| 23 | AAB-015-20017 | NUT HEX 3/8 UNC GRD 2 | 32 |
| 24 | AAB-015-30012 | WSHR FLAT 3/8 USS | 5 |
| 25 | AAB-015-30013 | WSHR FLAT 1/2 USS | 2 |
| 26 | AAB-015-30017 | WSHR LOCK 3/8 | 28 |
| 27 | AAB-015-30018 | WSHR LOCK 1/2 | 2 |



Parts List

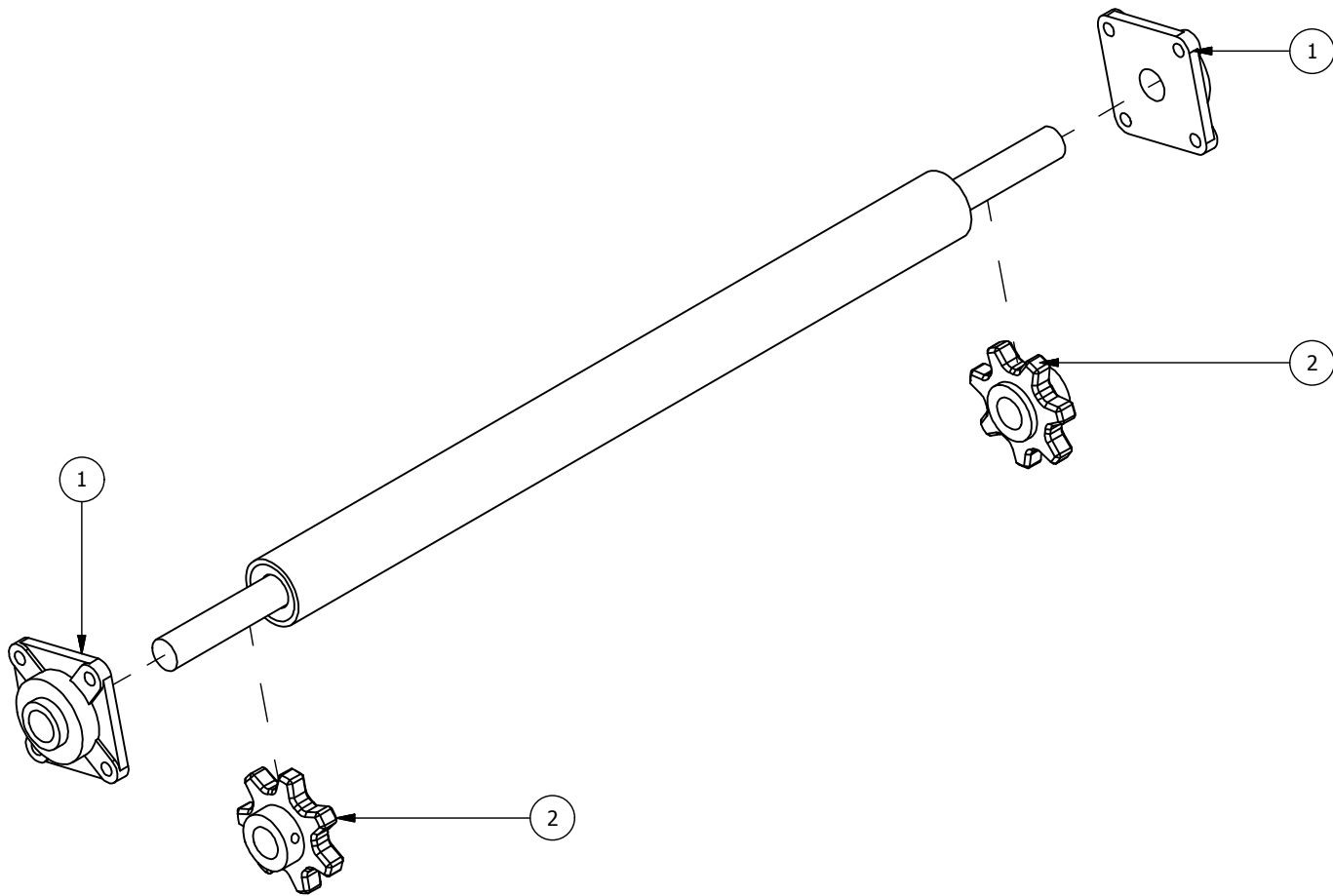
| ITEM | PART NUMBER | TITLE | QTY |
|------|---------------|-----------------------------|-----|
| 1 | AAA-006-00015 | CHUTE WELDMNT | 1 |
| 2 | AAA-006-00224 | MAGNET CHUTE MNT LTH | 1 |
| 3 | AAA-006-00225 | MAGNET CHUTE MNT RTH | 1 |
| 4 | AAB-001-00019 | PIN HTCH CLIP 1/8 X 2-9/16 | 2 |
| 5 | AAB-006-00035 | MAGNET PLATE 25 X 8 X 1 | 1 |
| 6 | AAB-015-10036 | BOLT HEX 5/16 X 1 UNC GRD 5 | 10 |
| 7 | AAB-015-10056 | BOLT HEX 3/8 X 1 UNC GRD 2 | 4 |
| 8 | AAB-015-20017 | NUT HEX 3/8 UNC GRD 2 | 4 |
| 9 | AAB-015-20020 | NUT HEX 5/16 UNC GRD 2 | 10 |
| 10 | AAB-015-30012 | WSHR FLAT 3/8 USS | 4 |
| 11 | AAB-015-30016 | WSHR LOCK 5/16 | 10 |
| 12 | AAB-015-30017 | WSHR LOCK 3/8 | 4 |
| 13 | AAB-015-40007 | PIN 3/8 X 7/8 PLT | 2 |



| | | | |
|--|-----------|---|--|
| DR | JET | TOLERANCES (UNLESS SPECIFIED OTHERWISE) FRACTIONAL ± 1/16" DEC X.X ± 0.1" DEC X.XX ± 0.06" DEC X.XXX ± 0.031" ANGULAR ± 0.5° | |
| DAT | 1/20/2012 | | |
| MAT | | | |
| <small>CONFIDENTIAL: THESE DRAWINGS AND COPIES THEREOF REMAIN THE PROPERTY OF JAY-LOR FABRICATING INC. ANY PERSON FOUND UNLAWFULLY USING, DISTRIBUTING, OR IN POSSESSION OF THE ABOVE WILL BE PROSECUTED</small> | | | |

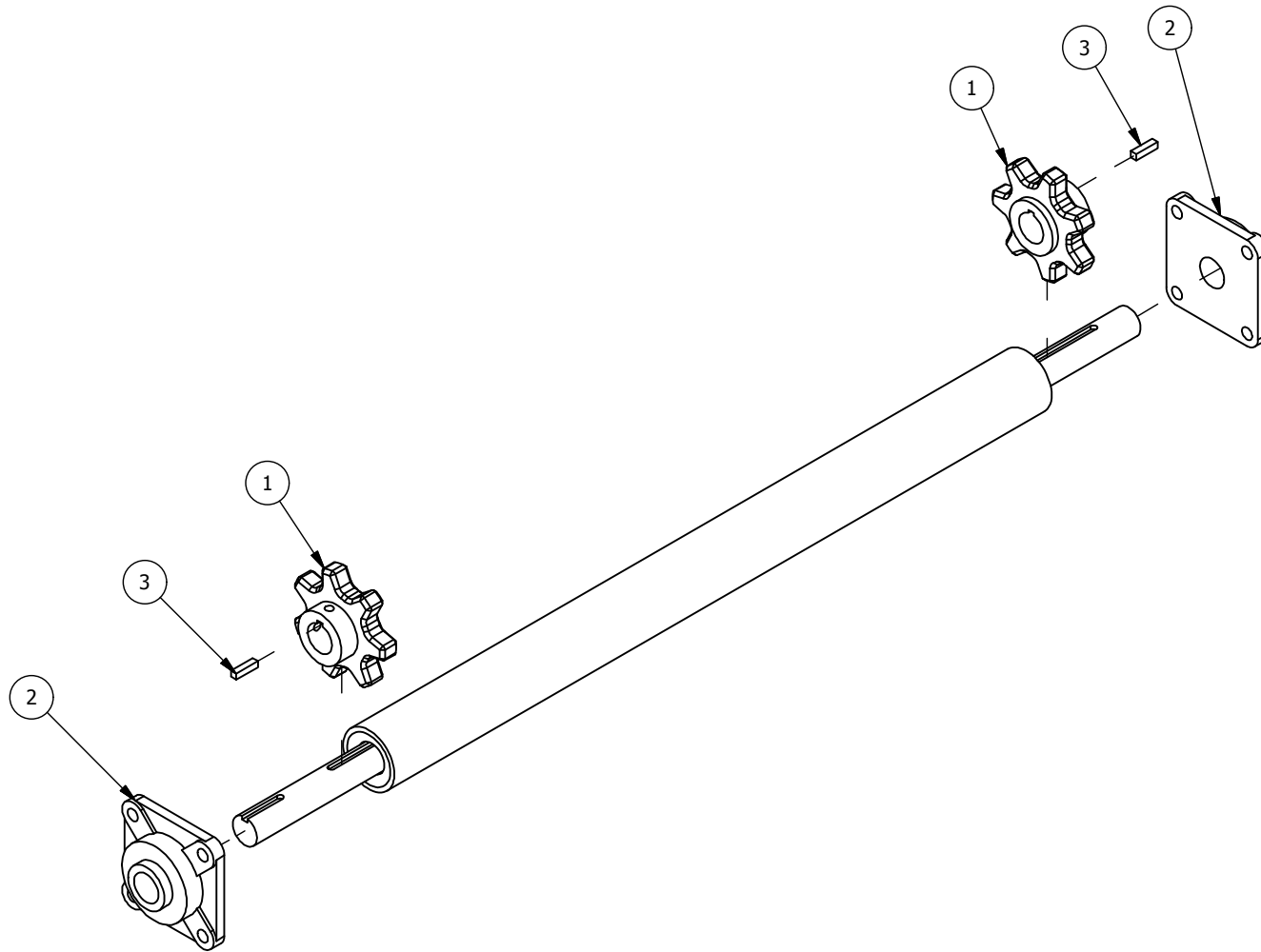
| | | | | | | | |
|------------------|---------|--------------|----|------|-------------------|----|----|
| UNITS | PAPER A | SHEET 1 OF 1 | R# | DATE | DESCRIPTION | DR | CK |
| TITLE | | | | | FILE NO | | |
| KIT MAGNET CHUTE | | | | | AAA-006-00545.idw | | |

| Parts List | | | |
|------------|---------------|---------------------------------------|-----|
| ITEM | PART NUMBER | TITLE | QTY |
| 1 | AAB-006-00009 | FLNG BRNG 1-1/8 ID | 2 |
| 2 | AAB-006-00011 | CAST SPROCKET WITH SET SCRW FOR IDLER | 2 |



| | | | | | | | | | | |
|-----------------------------|---------|--------------|----|------|-------------|---------------------------|----|---|---|------------------------------------|
| UNITS | PAPER A | SHEET 1 OF 1 | R# | DATE | DESCRIPTION | DR | CK | MAT | TOLERANCES (UNLESS SPECIFIED OTHERWISE) FRACTIONAL ± 1/16" DEC X.X ± 0.1" DEC X.XX ± 0.06" DEC X.XXX ± 0.031" ANGULAR ± 0.5° | JAY•LOR® Fabricating Inc |
| TITLE CVNR IDLER SHAFT ASSY | | | | | | FILE NO AAA-006-00618.idw | | CONFIDENTIAL: THESE DRAWINGS AND COPIES THEREOF REMAIN THE PROPERTY OF JAY-LOR FABRICATING INC. ANY PERSON FOUND UNLAWFULLY USING, DISTRIBUTING, OR IN POSSESSION OF THE ABOVE WILL BE PROSECUTED | | |

| Parts List | | | |
|------------|---------------|---------------------|-----|
| ITEM | PART NUMBER | TITLE | QTY |
| 1 | AAB-006-00013 | CAST SPROCKET KEYED | 2 |
| 2 | AAB-006-00009 | FLNG BRNG 1-1/8 ID | 2 |
| 3 | AAB-006-00030 | SHEAR KEY 1/4 X 1 | 2 |



| | | | |
|------|----------|---|------------------------------------|
| DR | LMV | TOLERANCES (UNLESS SPECIFIED OTHERWISE) FRACTIONAL ± 1/16" DEC X.X ± 0.1" DEC X.XX ± 0.06" DEC X.XXX ± 0.031" ANGULAR ± 0.5° | JAY•LOR® Fabricating Inc |
| DATE | 3/7/2012 | | |
| MAT | | | |

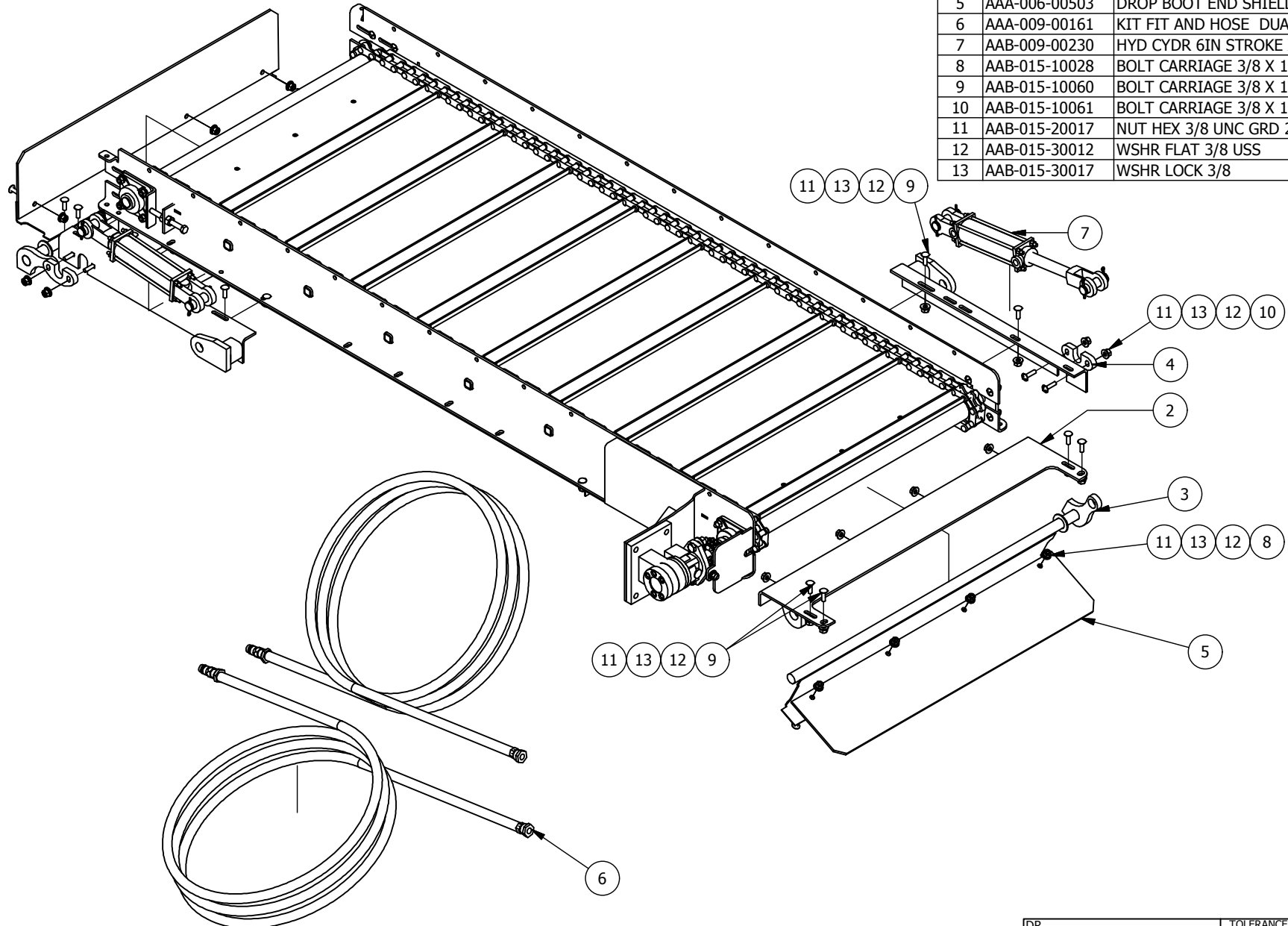
| | | | | | | | |
|-------|---------|--------------|----|------|-------------|----|----|
| UNITS | PAPER A | SHEET 1 OF 1 | R# | DATE | DESCRIPTION | DR | CK |
|-------|---------|--------------|----|------|-------------|----|----|

| | | | |
|-------|----------------------|---------|-------------------|
| TITLE | CNVR DRIVESHAFT ASSY | FILE NO | AAA-006-00617.idw |
|-------|----------------------|---------|-------------------|

CONFIDENTIAL: THESE DRAWINGS AND COPIES THEREOF REMAIN THE PROPERTY OF JAY-LOR FABRICATING INC. ANY PERSON FOUND UNLAWFULLY USING, DISTRIBUTING, OR IN POSSESSION OF THE ABOVE WILL BE PROSECUTED

Parts List

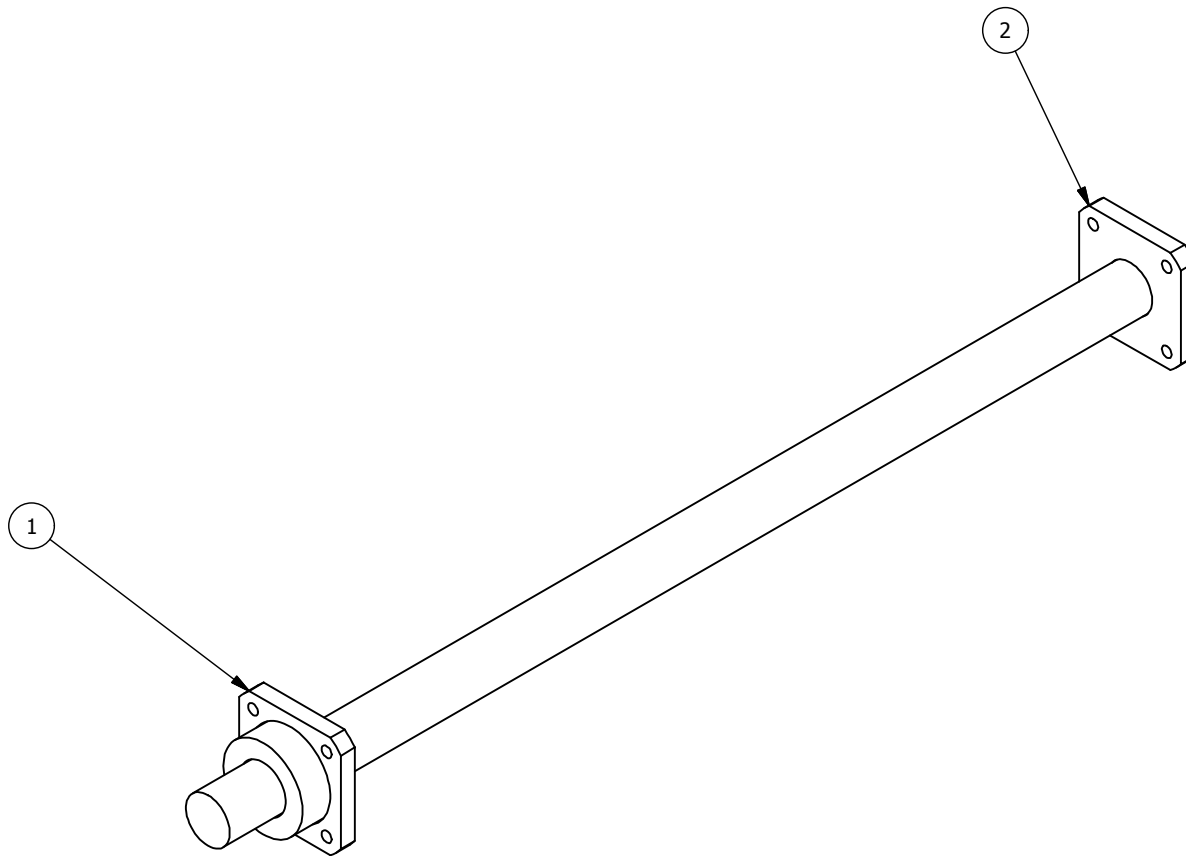
| ITEM | PART NUMBER | TITLE | QTY |
|------|---------------|--------------------------------------|-----|
| 1 | AAA-006-00485 | DROP BOOT LOWER CYDR MNT WELDMNT | 2 |
| 2 | AAA-006-00486 | DROP BOOT LOWER SHIELD WELDMNT | 2 |
| 3 | AAA-006-00487 | DROP BOOT WELDMNT | 2 |
| 4 | AAA-006-00500 | DROP BOOT LOCK PLT 5/8T | 2 |
| 5 | AAA-006-00503 | DROP BOOT END SHIELD HDPE 0.22T | 2 |
| 6 | AAA-009-00161 | KIT FIT AND HOSE DUAL CNVR DROP BOOT | 1 |
| 7 | AAB-009-00230 | HYD CYDR 6IN STROKE X 2IN BORE | 2 |
| 8 | AAB-015-10028 | BOLT CARRIAGE 3/8 X 1 UNC | 16 |
| 9 | AAB-015-10060 | BOLT CARRIAGE 3/8 X 1-1/4 UNC GRD 2 | 12 |
| 10 | AAB-015-10061 | BOLT CARRIAGE 3/8 X 1-1/2 UNC GRD 5 | 4 |
| 11 | AAB-015-20017 | NUT HEX 3/8 UNC GRD 2 | 32 |
| 12 | AAB-015-30012 | WSHR FLAT 3/8 USS | 32 |
| 13 | AAB-015-30017 | WSHR LOCK 3/8 | 32 |



| | | | | | | | |
|-------|---------|--------------|----|------|--------------------------|---------|-------------------|
| UNITS | PAPER A | SHEET 1 OF 8 | R# | DATE | DESCRIPTION | DR | CK |
| TITLE | | | | | DUAL CNVR DROP BOOT ASSY | FILE NO | AAA-006-00490.idw |

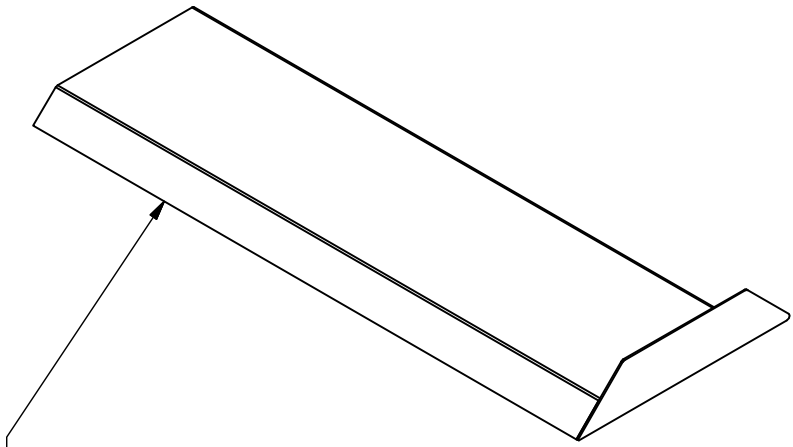
| | | | |
|--|-----------|---|--|
| DR | LMV | TOLERANCES (UNLESS SPECIFIED OTHERWISE) FRACTIONAL ± 1/16" DEC X.X ± 0.1" DEC X.XX ± 0.06" DEC X.XXX ± 0.031" ANGULAR ± 0.5° | |
| DAT | 7/15/2009 | | |
| MAT | | | |
| <small>CONFIDENTIAL: THESE DRAWINGS AND COPIES THEREOF REMAIN THE PROPERTY OF JAY-LOR FABRICATING INC. ANY PERSON FOUND UNLAWFULLY USING, DISTRIBUTING, OR IN POSSESSION OF THE ABOVE WILL BE PROSECUTED</small> | | | |

| Parts List | | | |
|------------|---------------|-----------------------------|-----|
| ITEM | PART NUMBER | TITLE | QTY |
| 1 | AAA-006-00043 | CNVR WING SUPT BRNG WELDMNT | 1 |
| 2 | AAA-006-00166 | CNVR PIN WELDMNT | 1 |

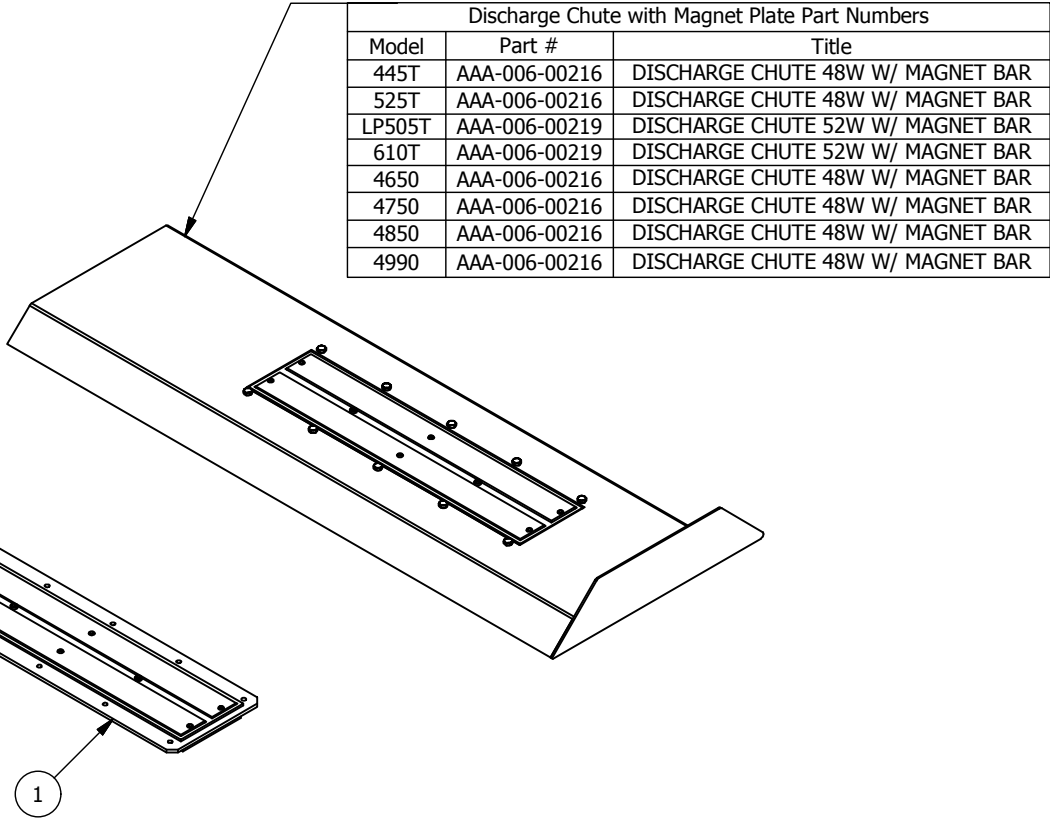


| | | | | | | | | | | | | | | |
|---|---------------------|-------|---|-------|--------|----|------|-------------|-------------------|----|-----|---|---|--------------------|
| UNITS | INCHES | PAPER | A | SHEET | 1 OF 1 | R# | DATE | DESCRIPTION | DR | CK | MAT | TOLERANCES (UNLESS SPECIFIED OTHERWISE) | JAY•LOR® <i>Fabricating Inc</i> | |
| TITLE | CNVR PIVOT PIN ASSY | | | | | | | FILE NO | AAA-006-00616.idw | | DR | LMV | | FRACTIONAL ± 1/16" |
| | | | | | | | | | | | | DEC X.X ± 0.1" | | |
| | | | | | | | | | | | | DEC X.XX ± 0.06" | | |
| | | | | | | | | | | | | DEC X.XXX ± 0.031" | | |
| | | | | | | | | | | | | ANGULAR ± 0.5° | | |
| CONFIDENTIAL: THESE DRAWINGS AND COPIES THEREOF REMAIN THE PROPERTY OF JAY-LOR FABRICATING INC. ANY PERSON FOUND UNLAWFULLY USING, DISTRIBUTING, OR IN POSSESSION OF THE ABOVE WILL BE PROSECUTED | | | | | | | | | | | | | | |

| Parts List | | | |
|------------|---------------|-------------------------|-----|
| ITE | PART NUMBER | TITLE | QTY |
| 1 | AAB-006-00035 | MAGNET PLATE 25 X 8 X 1 | 1 |



| Discharge Chute Part Numbers | | |
|------------------------------|---------------|---------------------|
| Model | Part # | Title |
| 445T | AAA-006-00217 | DISCHARGE CHUTE 48W |
| 525T | AAA-006-00217 | DISCHARGE CHUTE 48W |
| LP505T | AAA-006-00221 | DISCHARGE CHUTE 52W |
| 610T | AAA-006-00221 | DISCHARGE CHUTE 52W |
| 4650 | AAA-006-00217 | DISCHARGE CHUTE 48W |
| 4750 | AAA-006-00217 | DISCHARGE CHUTE 48W |
| 4850 | AAA-006-00217 | DISCHARGE CHUTE 48W |
| 4990 | AAA-006-00217 | DISCHARGE CHUTE 48W |



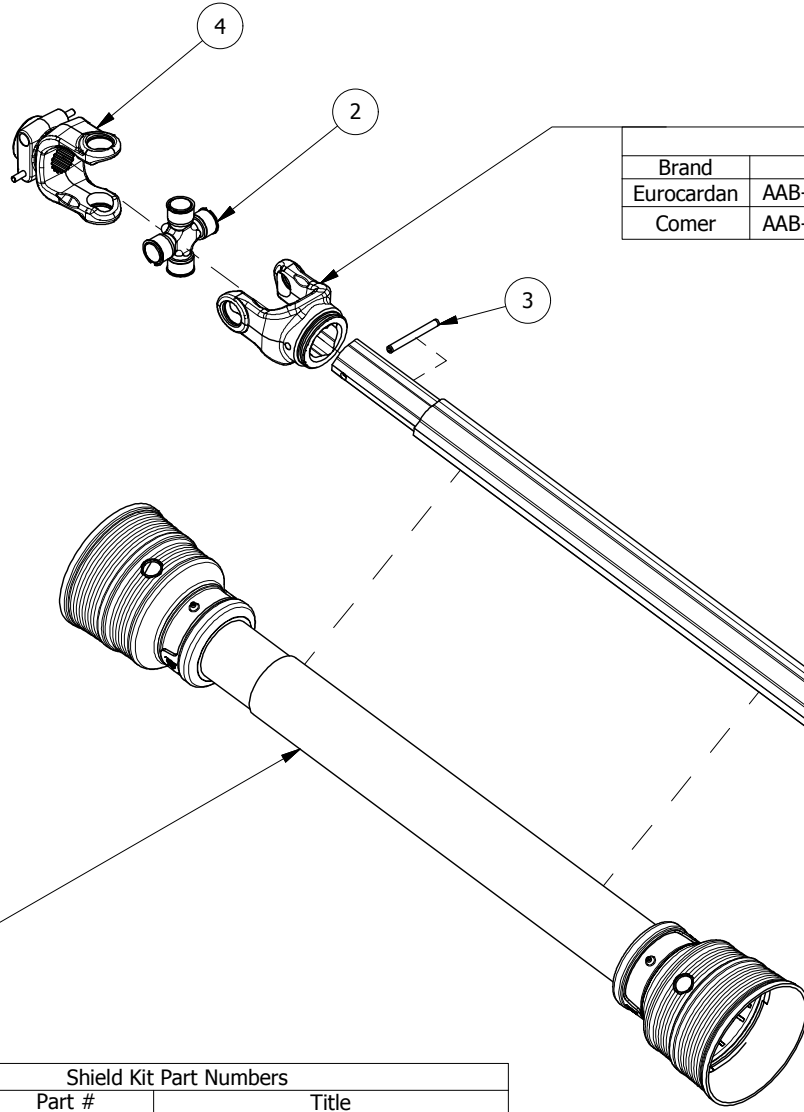
| Discharge Chute with Magnet Plate Part Numbers | | |
|--|---------------|-----------------------------------|
| Model | Part # | Title |
| 445T | AAA-006-00216 | DISCHARGE CHUTE 48W W/ MAGNET BAR |
| 525T | AAA-006-00216 | DISCHARGE CHUTE 48W W/ MAGNET BAR |
| LP505T | AAA-006-00219 | DISCHARGE CHUTE 52W W/ MAGNET BAR |
| 610T | AAA-006-00219 | DISCHARGE CHUTE 52W W/ MAGNET BAR |
| 4650 | AAA-006-00216 | DISCHARGE CHUTE 48W W/ MAGNET BAR |
| 4750 | AAA-006-00216 | DISCHARGE CHUTE 48W W/ MAGNET BAR |
| 4850 | AAA-006-00216 | DISCHARGE CHUTE 48W W/ MAGNET BAR |
| 4990 | AAA-006-00216 | DISCHARGE CHUTE 48W W/ MAGNET BAR |

L. 007 – DRIVELINE / GEARBOX PARTS**Drawing Number Reference Chart:**

| Part | Model | | | |
|------------------------------------|---------------|--------------------------------|--------------------------------|--------------------------------|
| | 4650 | 4750 | 4850 | 4990 |
| PTO Shaft (Standard) | AAB-007-00157 | AAB-007-00158 AAB-007-00159 | AAB-007-00158 AAB-007-00159 | AAB-007-00158 AAB-007-00159 |
| PTO Shaft (2-Speed) | AAB-007-00157 | AAB-007-00158 AAB-007-00159 | AAB-007-00158 AAB-007-00159 | AAB-007-00158 AAB-007-00159 |
| Drive Shaft Front (Standard) | AAB-007-00160 | | | |
| Drive Shaft Front (2-Speed) | AAB-007-00161 | | | |
| Drive Shaft Rear (Standard) | AAB-007-00162 | | | |
| Drive Shaft Rear (2-Speed) | AAB-007-00162 | | | |
| Standard Driveline | AAA-054-00007 | | | |
| Driveline with 2-Speed | AAA-054-00008 | | | |
| 2-Speed Gearbox Reference Chart | AAA-054-00025 | | | |
| 2-Speed Gearbox AP502 (1.8:1)(1:1) | AAA-007-00002 | | | |
| 2-Speed Gearbox AP502 (1.3:1)(1:1) | AAA-007-00004 | | | |
| 2-Speed Grbx AP502 (1.8:1)(2.7:1) | AAA-007-00005 | | | |
| 2-Speed Gearbox AP602 (1.8:1)(1:1) | AAA-007-00693 | | | |
| Bearing and Seal Kit (1602-1603) | AAA-007-00131 | | | |
| Lower Planetary Kit (1603) | AAA-007-00132 | | | |
| Input / Output Seals (1602-1603) | AAA-007-00133 | | | |
| Upper Planetary Kit (1602-1603) | AAA-007-00134 | | | |

Parts List

| ITEM | PART NUMBER | TITLE | QTY |
|------|---------------|------------------------------|-----|
| 1 | AAB-007-00186 | PTO YOKE NUM 8 1-3/8F X 6SP | 1 |
| 2 | AAB-007-00190 | PTO CROSS KIT NUM 8 | 2 |
| 3 | AAB-007-00193 | ROLL PIN 3/8DIA X 3.5L | 2 |
| 4 | AAB-007-00199 | PTO YOKE NUM 8 1-3/4F X 20SP | 1 |



| Inner Shaft Yoke Part Numbers | | |
|-------------------------------|---------------|--------------------------------|
| Brand | Part # | Title |
| Eurocardan | AAB-007-00194 | PTO YOKE NUM 8 INNER SHAFT (E) |
| Comer | AAB-007-00381 | PTO YOKE NUM 8 INNER SHAFT (C) |

| Outer Shaft Yoke Part Numbers | | |
|-------------------------------|---------------|--------------------------------|
| Brand | Part # | Title |
| Eurocardan | AAB-007-00191 | PTO YOKE NUM 8 OUTER SHAFT (E) |
| Comer | AAB-007-00373 | PTO YOKE NUM 8 OUTER SHAFT (C) |

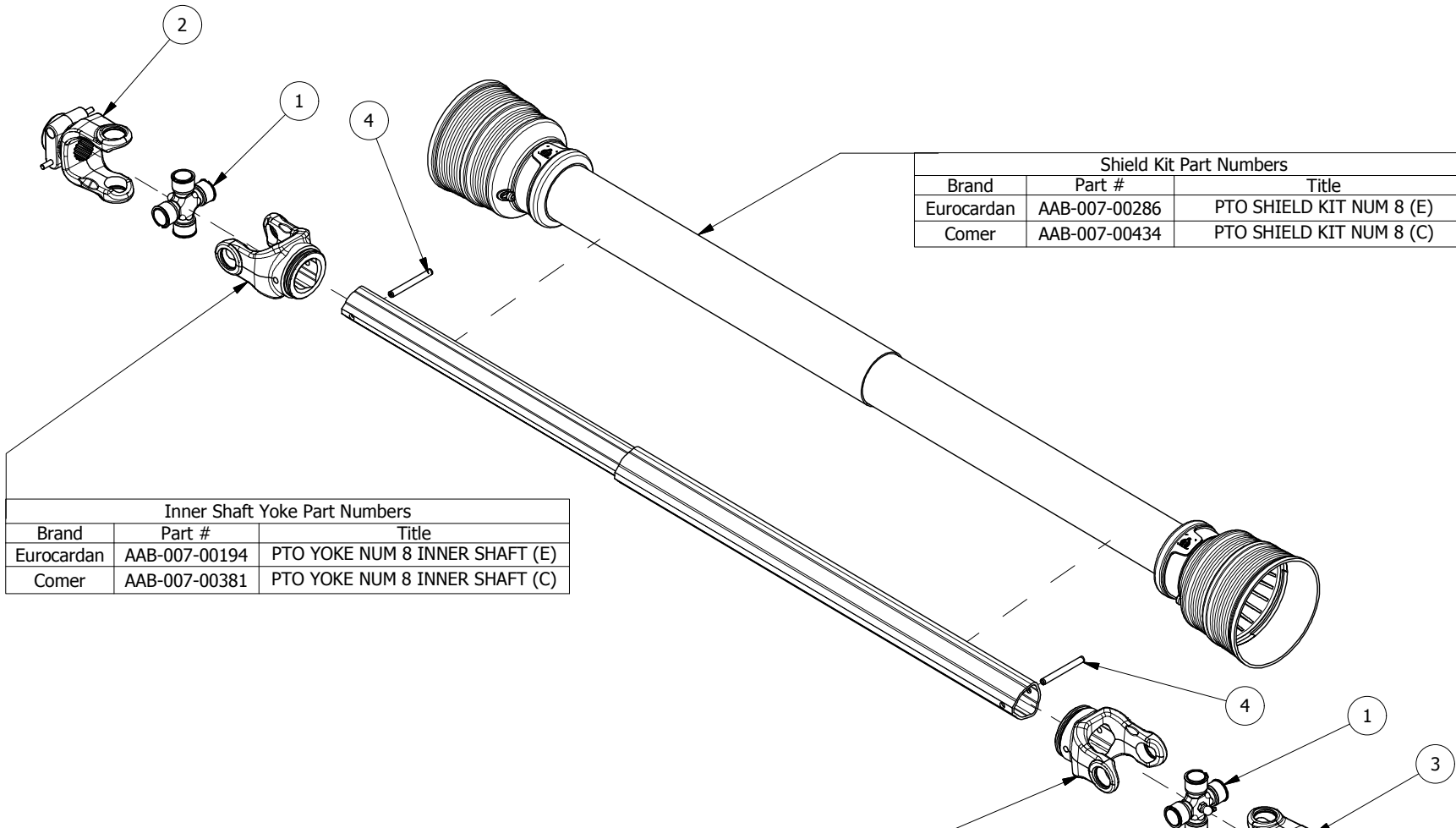
| Shield Kit Part Numbers | | |
|-------------------------|---------------|--------------------------|
| Brand | Part # | Title |
| Eurocardan | AAB-007-00286 | PTO SHIELD KIT NUM 8 (E) |
| Comer | AAB-007-00434 | PTO SHIELD KIT NUM 8 (C) |

| | | | |
|-----|-----------|---|------------------------------------|
| DR | LMV | TOLERANCES (UNLESS SPECIFIED OTHERWISE) FRACTIONAL ± 1/16" DEC X.X ± 0.1" DEC X.XX ± 0.06" DEC X.XXX ± 0.031" ANGULAR ± 0.5° | JAY•LOR® Fabricating Inc |
| DAT | 1/19/2012 | | |
| MAT | | | |

| UNITS | PAPER | SHEET | R# | DATE | DESCRIPTION | DR | CK | FILE NO |
|-------|-------|--------|----|------|-------------|----|----|-------------------|
| | A | 1 OF 1 | | | | | | AAB-007-00157.idw |

CONFIDENTIAL: THESE DRAWINGS AND COPIES THEREOF REMAIN THE PROPERTY OF JAY-LOR FABRICATING INC. ANY PERSON FOUND UNLAWFULLY USING, DISTRIBUTING, OR IN POSSESSION OF THE ABOVE WILL BE PROSECUTED

| Parts List | | | |
|------------|---------------|------------------------------|-----|
| ITEM | PART NUMBER | TITLE | QTY |
| 1 | AAB-007-00190 | PTO CROSS KIT NUM 8 | 2 |
| 2 | AAB-007-00199 | PTO YOKE NUM 8 1-3/4F X 20SP | 1 |
| 3 | AAB-007-00201 | PTO YOKE NUM 8 1-3/8F X 21SP | 1 |
| 4 | AAB-007-00193 | ROLL PIN 3/8DIA X 3.5L | 2 |



| Shield Kit Part Numbers | | |
|-------------------------|---------------|--------------------------|
| Brand | Part # | Title |
| Eurocardan | AAB-007-00286 | PTO SHIELD KIT NUM 8 (E) |
| Comer | AAB-007-00434 | PTO SHIELD KIT NUM 8 (C) |

| Inner Shaft Yoke Part Numbers | | |
|-------------------------------|---------------|--------------------------------|
| Brand | Part # | Title |
| Eurocardan | AAB-007-00194 | PTO YOKE NUM 8 INNER SHAFT (E) |
| Comer | AAB-007-00381 | PTO YOKE NUM 8 INNER SHAFT (C) |

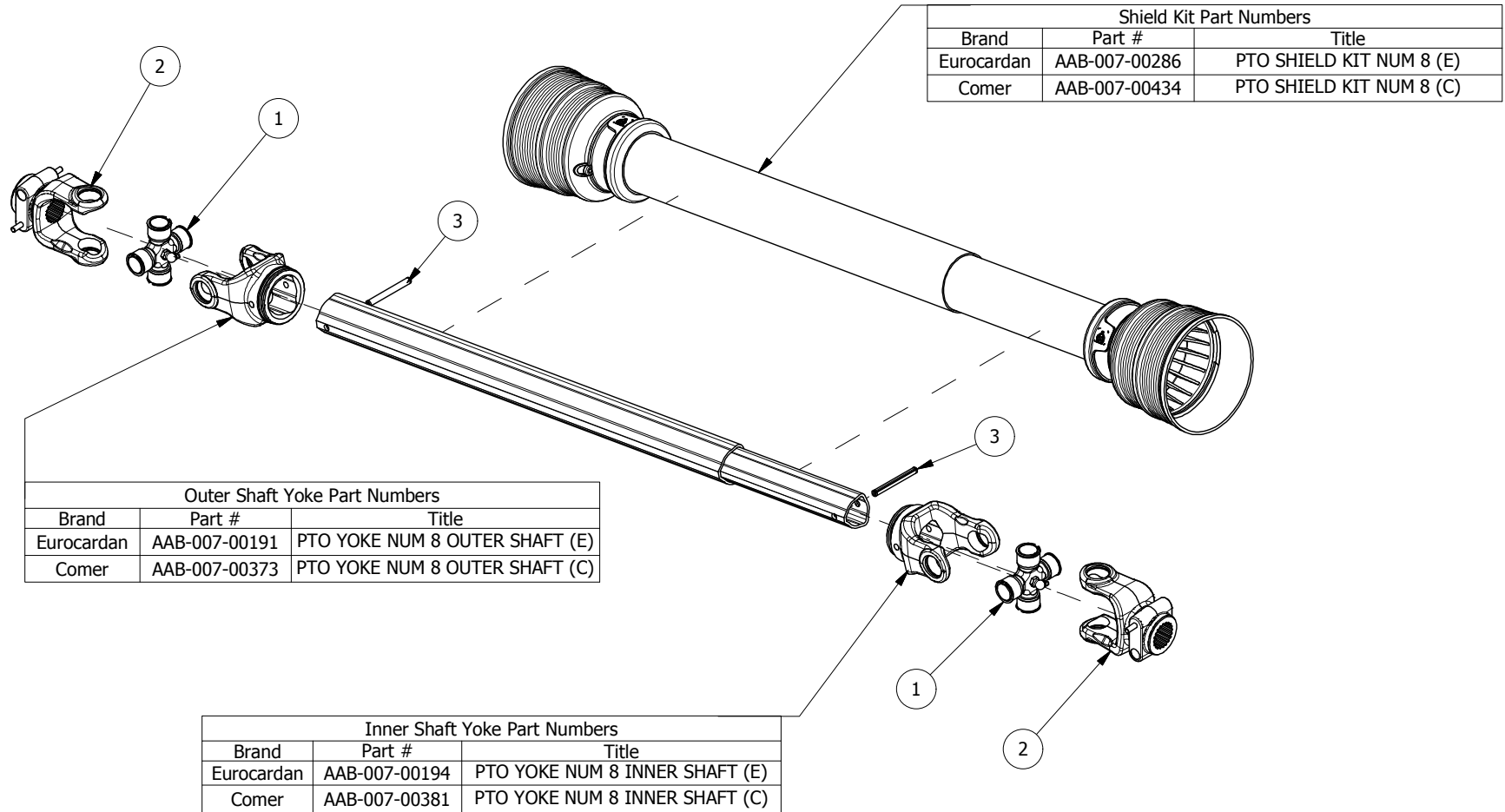
| Outer Shaft Yoke Part Numbers | | |
|-------------------------------|---------------|--------------------------------|
| Brand | Part # | Title |
| Eurocardan | AAB-007-00191 | PTO YOKE NUM 8 OUTER SHAFT (E) |
| Comer | AAB-007-00373 | PTO YOKE NUM 8 OUTER SHAFT (C) |

| | | | |
|-----|-----------|---|-----------------------------------|
| DR | LMV | TOLERANCES (UNLESS SPECIFIED OTHERWISE) FRACTIONAL ± 1/16" DEC X.X ± 0.1" DEC X.XX ± 0.06" DEC X.XXX ± 0.031" ANGULAR ± 0.5° | JAY•LOR Fabricating Inc |
| DAT | 1/19/2012 | | |
| MAT | | | |

| UNITS | PAPER | SHEET | R# | DATE | DESCRIPTION | DR | CK |
|---------|-------|--------|----|------|---|----|----|
| | A | 1 OF 1 | | | | | |
| TITLE | | | | | PTO NUM 8 1-3/8F 21SP X 1-3/4F 20SP X 42.13/64.17 | | |
| FILE NO | | | | | AAB-007-00158.idw | | |

CONFIDENTIAL: THESE DRAWINGS AND COPIES THEREOF REMAIN THE PROPERTY OF JAY-LOR FABRICATING INC. ANY PERSON FOUND UNLAWFULLY USING, DISTRIBUTING, OR IN POSSESSION OF THE ABOVE WILL BE PROSECUTED

| Parts List | | | |
|------------|---------------|------------------------------|-----|
| ITEM | PART NUMBER | TITLE | QTY |
| 1 | AAB-007-00190 | PTO CROSS KIT NUM 8 | 2 |
| 2 | AAB-007-00199 | PTO YOKE NUM 8 1-3/4F X 20SP | 2 |
| 3 | AAB-007-00193 | ROLL PIN 3/8DIA X 3.5L | 2 |



| Shield Kit Part Numbers | | |
|-------------------------|---------------|--------------------------|
| Brand | Part # | Title |
| Eurocardan | AAB-007-00286 | PTO SHIELD KIT NUM 8 (E) |
| Comer | AAB-007-00434 | PTO SHIELD KIT NUM 8 (C) |

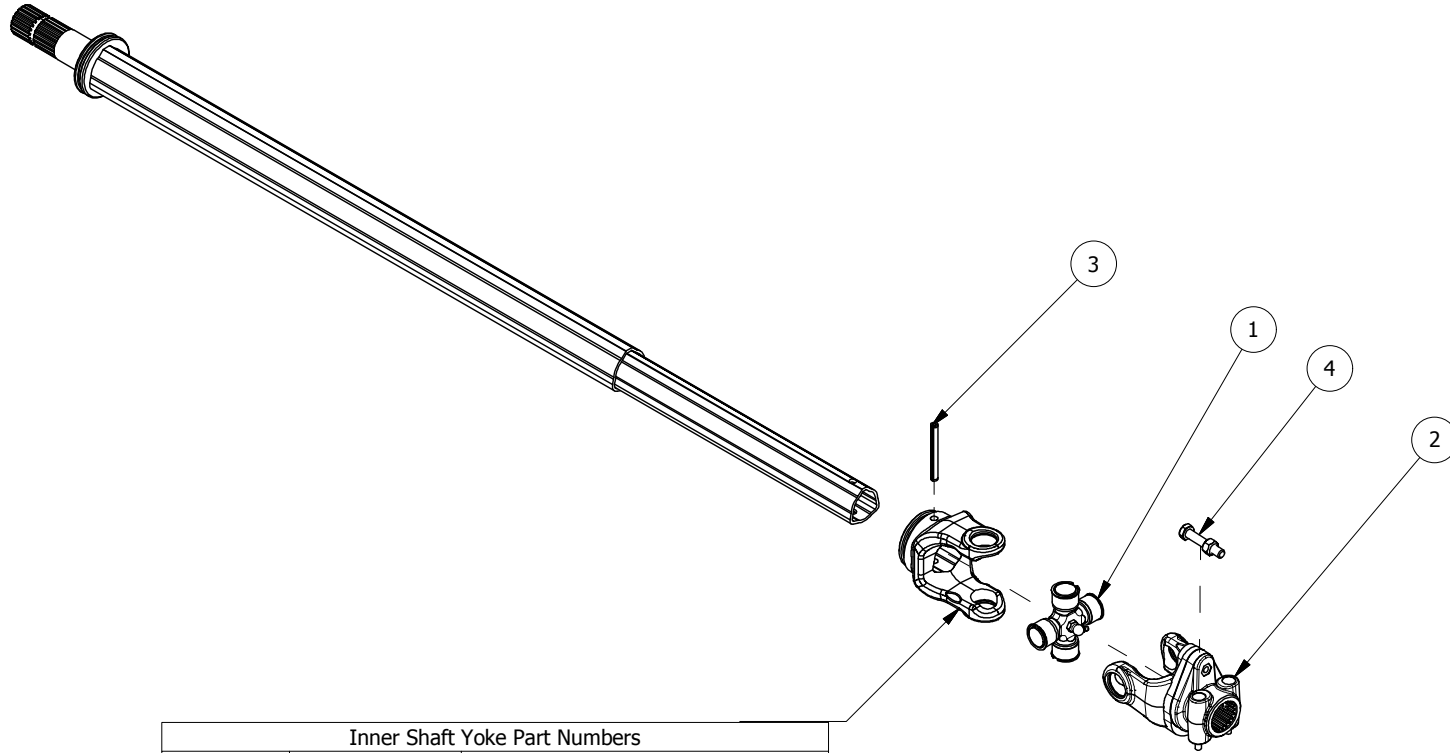
| Outer Shaft Yoke Part Numbers | | |
|-------------------------------|---------------|--------------------------------|
| Brand | Part # | Title |
| Eurocardan | AAB-007-00191 | PTO YOKE NUM 8 OUTER SHAFT (E) |
| Comer | AAB-007-00373 | PTO YOKE NUM 8 OUTER SHAFT (C) |

| Inner Shaft Yoke Part Numbers | | |
|-------------------------------|---------------|--------------------------------|
| Brand | Part # | Title |
| Eurocardan | AAB-007-00194 | PTO YOKE NUM 8 INNER SHAFT (E) |
| Comer | AAB-007-00381 | PTO YOKE NUM 8 INNER SHAFT (C) |

| UNITS | PAPER | SHEET | R# | DATE | DESCRIPTION | DR | CK |
|---------|-------|--------|----|------|---|----|----|
| | A | 1 OF 1 | | | | | |
| TITLE | | | | | PTO NUM 8 1-3/4F 20SP X 1-3/4F 20SP X 42.13/64.17 | | |
| FILE NO | | | | | AAB-007-00159.idw | | |

| | | | |
|---|-----------|---|-----------------------------------|
| DR | LMV | TOLERANCES (UNLESS SPECIFIED OTHERWISE) FRACTIONAL ± 1/16" DEC X.X ± 0.1" DEC X.XX ± 0.06" DEC X.XXX ± 0.031" ANGULAR ± 0.5° | JAY•LOR Fabricating Inc |
| DATE | 1/19/2012 | | |
| MAT | | | |
| CONFIDENTIAL: THESE DRAWINGS AND COPIES THEREOF REMAIN THE PROPERTY OF JAY-LOR FABRICATING INC. ANY PERSON FOUND UNLAWFULLY USING, DISTRIBUTING, OR IN POSSESSION OF THE ABOVE WILL BE PROSECUTED | | | |

| Parts List | | | |
|------------|---------------|--|-----|
| ITEM | PART NUMBER | TITLE | QTY |
| 1 | AAB-007-00190 | PTO CROSS KIT NUM 8 | 1 |
| 2 | AAB-007-00196 | PTO YOKE NUM 8 1-3/4F X 20SP W/SB | 1 |
| 3 | AAB-007-00193 | ROLL PIN 3/8DIA X 3.5L | 1 |
| 4 | AAB-015-10002 | SHEAR BOLT AND NUT 12MM X 65MM GRD 8.8 | 1 |



| Inner Shaft Yoke Part Numbers | | |
|-------------------------------|---------------|--------------------------------|
| Brand | Part # | Title |
| Eurocardan | AAB-007-00194 | PTO YOKE NUM 8 INNER SHAFT (E) |
| Comer | AAB-007-00381 | PTO YOKE NUM 8 INNER SHAFT (C) |

| | | | |
|-----|-----------|---|--|
| DR | LMV | TOLERANCES (UNLESS SPECIFIED OTHERWISE) FRACTIONAL ± 1/16" DEC X.X ± 0.1" DEC X.XX ± 0.06" DEC X.XXX ± 0.031" ANGULAR ± 0.5° | |
| DAT | 1/19/2012 | | |
| MAT | | | |

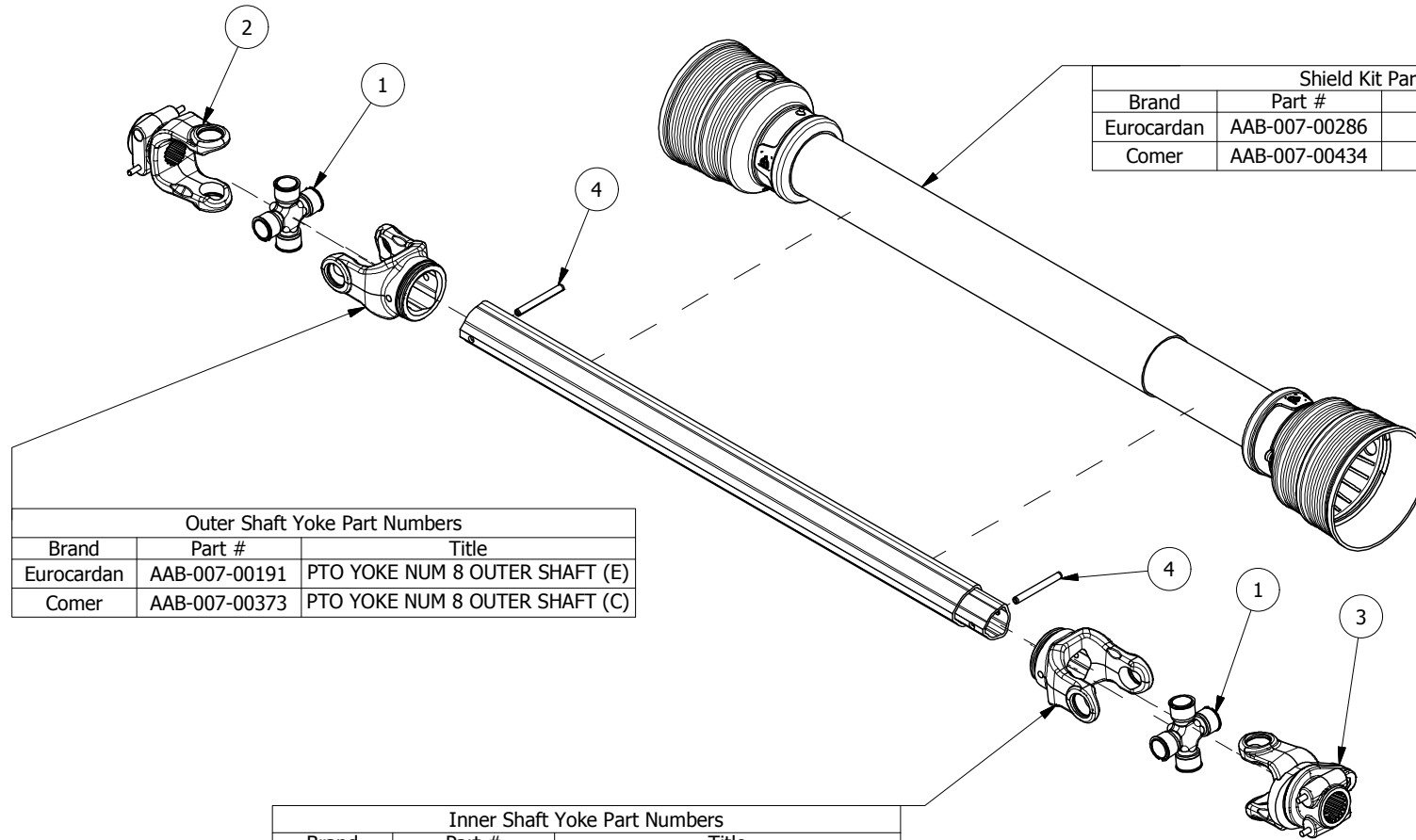
| | | | | | | | |
|-------|---------|--------------|----|------|-------------|----|----|
| UNITS | PAPER A | SHEET 1 OF 1 | R# | DATE | DESCRIPTION | DR | CK |
|-------|---------|--------------|----|------|-------------|----|----|

TITLE PTO NUM 8 1-3/4M 20SP X 1-3/4F 20SP WSB X 44.49/69.29

FILE NO AAB-007-00160.idw

CONFIDENTIAL: THESE DRAWINGS AND COPIES THEREOF REMAIN THE PROPERTY OF JAY-LOR FABRICATING INC. ANY PERSON FOUND UNLAWFULLY USING, DISTRIBUTING, OR IN POSSESSION OF THE ABOVE WILL BE PROSECUTED

| Parts List | | | |
|------------|---------------|-----------------------------------|-----|
| ITEM | PART NUMBER | TITLE | QTY |
| 1 | AAB-007-00190 | PTO CROSS KIT NUM 8 | 2 |
| 2 | AAB-007-00199 | PTO YOKE NUM 8 1-3/4F X 20SP | 1 |
| 3 | AAB-007-00196 | PTO YOKE NUM 8 1-3/4F X 20SP W/SB | 1 |
| 4 | AAB-007-00193 | ROLL PIN 3/8DIA X 3.5L | 2 |



| Shield Kit Part Numbers | | |
|-------------------------|---------------|--------------------------|
| Brand | Part # | Title |
| Eurocardan | AAB-007-00286 | PTO SHIELD KIT NUM 8 (E) |
| Comer | AAB-007-00434 | PTO SHIELD KIT NUM 8 (C) |

| Outer Shaft Yoke Part Numbers | | |
|-------------------------------|---------------|--------------------------------|
| Brand | Part # | Title |
| Eurocardan | AAB-007-00191 | PTO YOKE NUM 8 OUTER SHAFT (E) |
| Comer | AAB-007-00373 | PTO YOKE NUM 8 OUTER SHAFT (C) |

| Inner Shaft Yoke Part Numbers | | |
|-------------------------------|---------------|--------------------------------|
| Brand | Part # | Title |
| Eurocardan | AAB-007-00194 | PTO YOKE NUM 8 INNER SHAFT (E) |
| Comer | AAB-007-00381 | PTO YOKE NUM 8 INNER SHAFT (C) |

| | | | |
|-----|-----------|---|-----------------------------------|
| DR | LMV | TOLERANCES (UNLESS SPECIFIED OTHERWISE) FRACTIONAL ± 1/16" DEC X.X ± 0.1" DEC X.XX ± 0.06" DEC X.XXX ± 0.031" ANGULAR ± 0.5° | JAY•LOR Fabricating Inc |
| DAT | 1/19/2012 | | |
| MAT | | | |

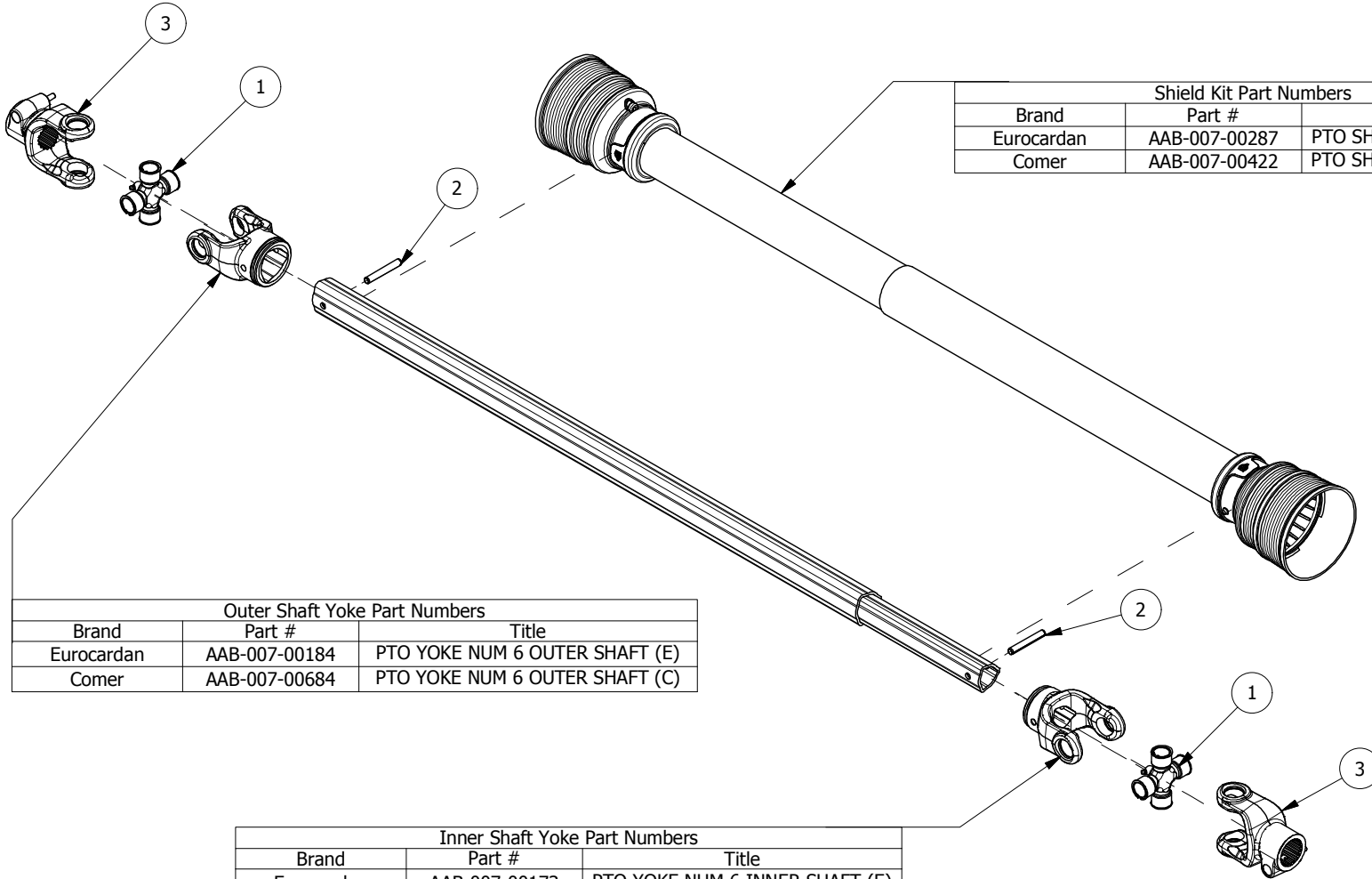
| | | | | | | | |
|-------|---------|--------------|----|------|-------------|----|----|
| UNITS | PAPER A | SHEET 1 OF 1 | R# | DATE | DESCRIPTION | DR | CK |
|-------|---------|--------------|----|------|-------------|----|----|

TITLE PTO NUM 8 1-3/4F 20 SP X 1-3/4F 20SP WSB X 48.03/73.82

FILE NO AAB-007-00161.idw

CONFIDENTIAL: THESE DRAWINGS AND COPIES THEREOF REMAIN THE PROPERTY OF JAY-LOR FABRICATING INC. ANY PERSON FOUND UNLAWFULLY USING, DISTRIBUTING, OR IN POSSESSION OF THE ABOVE WILL BE PROSECUTED

| Parts List | | | |
|------------|---------------|------------------------------|-----|
| ITEM | PART NUMBER | TITLE | QTY |
| 1 | AAB-007-00183 | PTO CROSS KIT NUM 6 | 2 |
| 2 | AAB-007-00177 | PTO ROLL PIN NUM 6 | 2 |
| 3 | AAB-007-00185 | PTO YOKE NUM 6 1-3/4F X 20SP | 2 |



| Shield Kit Part Numbers | | |
|-------------------------|---------------|--------------------------|
| Brand | Part # | Title |
| Eurocardan | AAB-007-00287 | PTO SHIELD KIT NUM 6 (E) |
| Comer | AAB-007-00422 | PTO SHIELD KIT NUM 6 (C) |

| Outer Shaft Yoke Part Numbers | | |
|-------------------------------|---------------|--------------------------------|
| Brand | Part # | Title |
| Eurocardan | AAB-007-00184 | PTO YOKE NUM 6 OUTER SHAFT (E) |
| Comer | AAB-007-00684 | PTO YOKE NUM 6 OUTER SHAFT (C) |

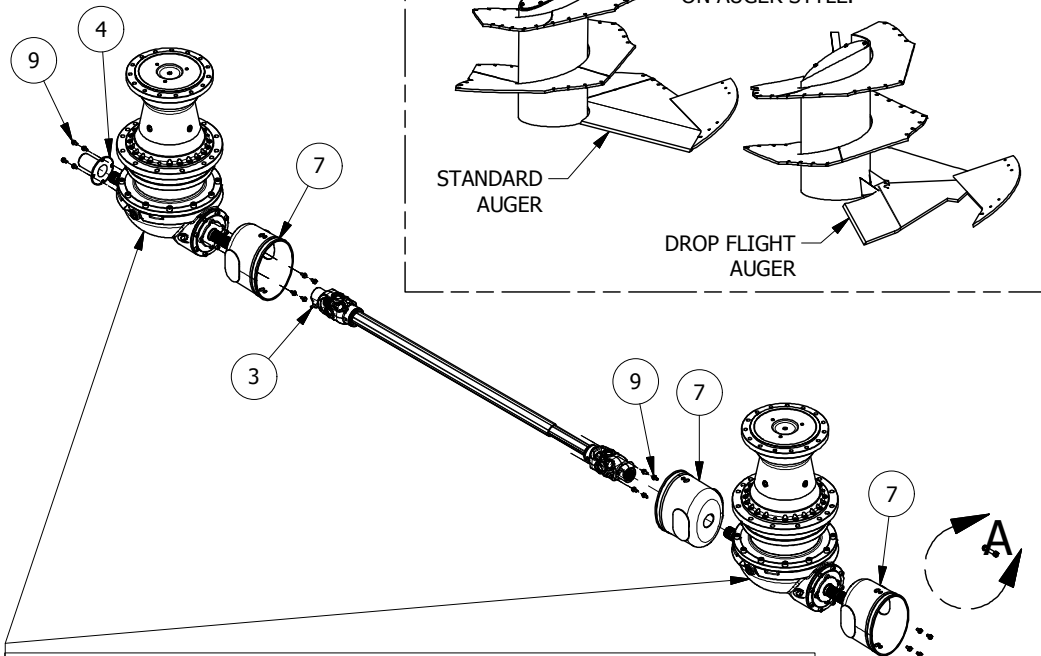
| Inner Shaft Yoke Part Numbers | | |
|-------------------------------|---------------|--------------------------------|
| Brand | Part # | Title |
| Eurocardan | AAB-007-00173 | PTO YOKE NUM 6 INNER SHAFT (E) |
| Comer | AAB-007-00176 | PTO YOKE NUM 6 INNER SHAFT (C) |

| | | | |
|-----|-----------|---|--|
| DR | LMV | TOLERANCES (UNLESS SPECIFIED OTHERWISE) FRACTIONAL ± 1/16" DEC X.X ± 0.1" DEC X.XX ± 0.06" DEC X.XXX ± 0.031" ANGULAR ± 0.5° | |
| DAT | 1/19/2012 | | |
| MAT | | | |

| UNITS | PAPER | SHEET | R# | DATE | DESCRIPTION | DR | CK |
|-------|-------|--------|----|------|-------------|----|----|
| | A | 1 OF 1 | | | | | |

TITLE PTO NUM 6 1-3/4F 20SP X 1-3/4F 20SP X 51.57/80.31 FILE NO AAB-007-00162.idw

CONFIDENTIAL: THESE DRAWINGS AND COPIES THEREOF REMAIN THE PROPERTY OF JAY-LOR FABRICATING INC. ANY PERSON FOUND UNLAWFULLY USING, DISTRIBUTING, OR IN POSSESSION OF THE ABOVE WILL BE PROSECUTED

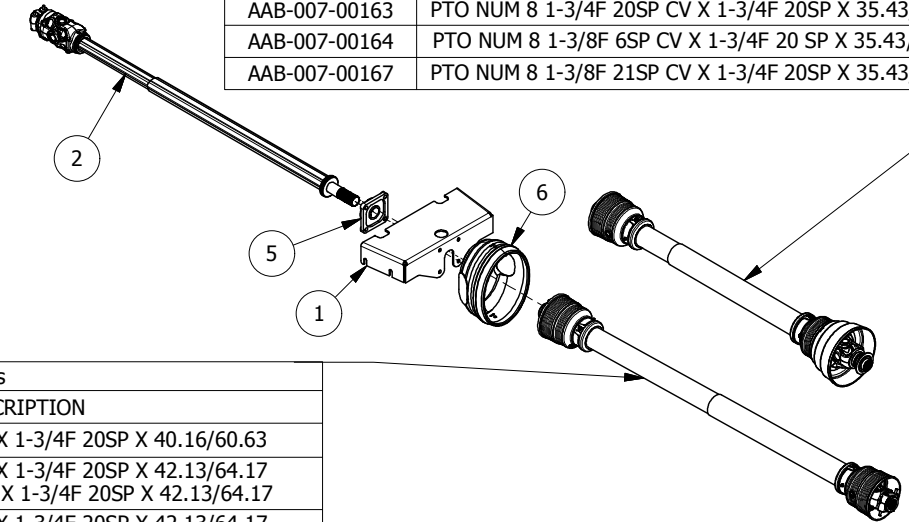
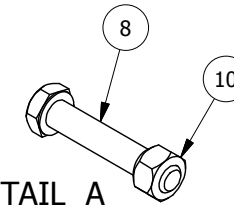


| Gearbox Part Numbers | | |
|--|---------------|--------------------------------|
| MODEL | PART # | DESCRIPTION |
| 4650 | AAB-007-00671 | GRBX PGA 1602 W/ TOP BREATHER |
| 4750,4850,4990 WITH STANDARD AUGER | AAB-007-00677 | GRBX PGA 1603B W/ TOP BREATHER |
| 4750,4850,4990 WITH DROP FLIGHT AUGER | AAB-007-00147 | GRBX PGA 1603 |

| Standard PTO Part Numbers | | |
|---------------------------|---------------|---|
| MODEL | PART # | DESCRIPTION |
| 4650 | AAB-007-00157 | PTO NUM 8 1-3/8F 6SP X 1-3/4F 20SP X 40.16/60.63 |
| 4750 | AAB-007-00158 | PTO NUM 8 1-3/8 21SP X 1-3/4F 20SP X 42.13/64.17 |
| | AAB-007-00159 | PTO NUM 8 1-3/4F 20SP X 1-3/4F 20SP X 42.13/64.17 |
| 4850 | AAB-007-00158 | PTO NUM 8 1-3/8 21SP X 1-3/4F 20SP X 42.13/64.17 |
| | AAB-007-00159 | PTO NUM 8 1-3/4F 20SP X 1-3/4F 20SP X 42.13/64.17 |
| 4990 | AAB-007-00158 | PTO NUM 8 1-3/8 21SP X 1-3/4F 20SP X 42.13/64.17 |
| | AAB-007-00159 | PTO NUM 8 1-3/4F 20SP X 1-3/4F 20SP X 42.13/64.17 |

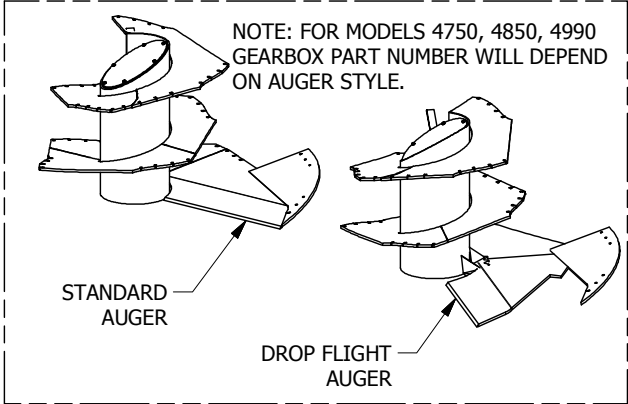
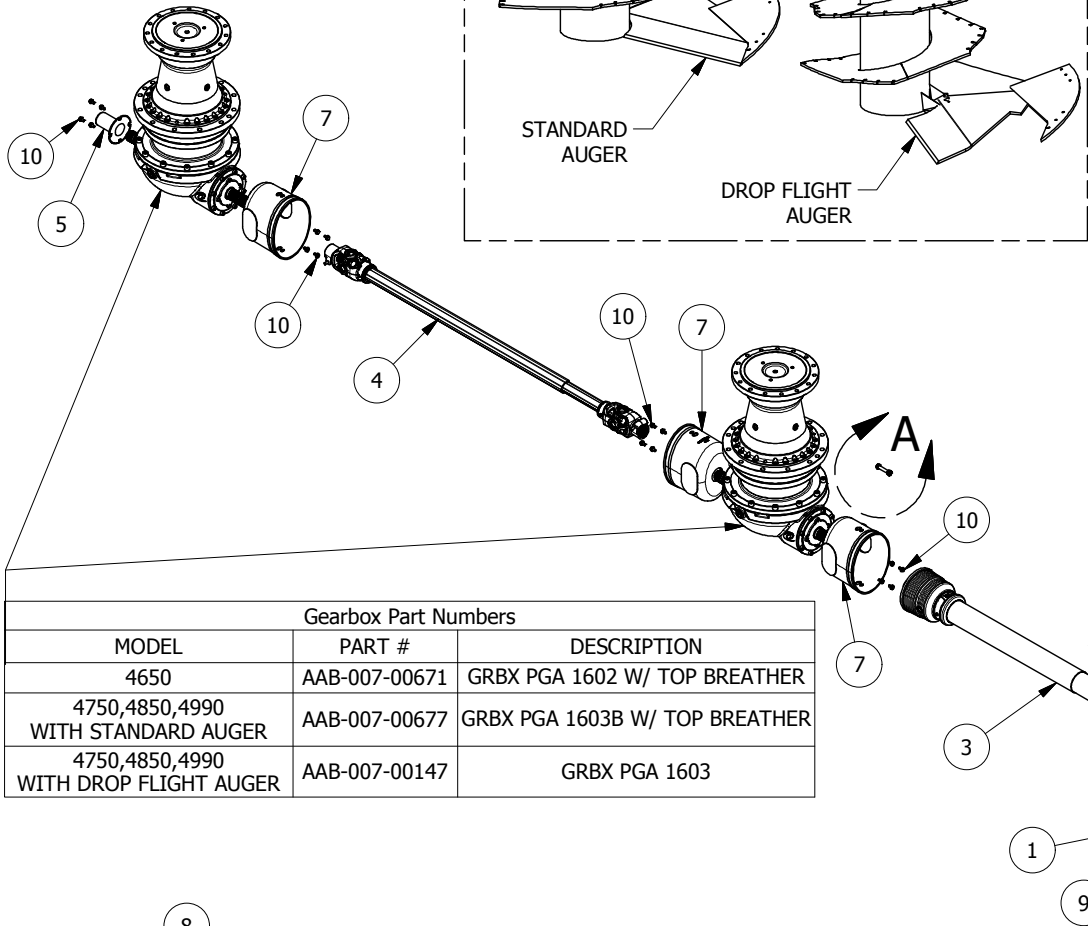
| Parts List | | | |
|------------|---------------|---|-----|
| ITEM | PART NUMBER | TITLE | QTY |
| 1 | AAA-002-00124 | FLNG BRNG MNT BRKT 1/4T | 1 |
| 2 | AAB-007-00160 | PTO NUM 8 1-3/4M 20SP X 1-3/4F 20SP WSB X 44.49/69.29 | 1 |
| 3 | AAB-007-00162 | PTO NUM 6 1-3/4F 20SP X 1-3/4F 20SP X 51.57/80.31 | 1 |
| 4 | AAB-007-00171 | PTO TAIL SHAFT COVER | 1 |
| 5 | AAB-007-00290 | FLNG BRNG 1-3/4 UCF 209-28 | 1 |
| 6 | AAB-007-00322 | PTO COVER YELLOW | 1 |
| 7 | AAB-007-00323 | DRIVESHT COUNTER CONE BLACK WITH FLAPS | 3 |
| 8 | AAB-007-00384 | BOLT SHEAR HEX 12MM X 65MM UNF GRD 8.8 | 1 |
| 9 | AAB-015-10078 | BOLT HEX 8MM X 16MM GRD 8.8 | 16 |
| 10 | AAB-015-20022 | NUT HEX ALL STL LOCK 12MM | 1 |

DETAIL A
SHEAR BOLT



| CV PTO Option Part Numbers | |
|----------------------------|--|
| PART # | DESCRIPTION |
| AAB-007-00163 | PTO NUM 8 1-3/4F 20SP CV X 1-3/4F 20SP X 35.43/52.75 |
| AAB-007-00164 | PTO NUM 8 1-3/8F 6SP CV X 1-3/4F 20 SP X 35.43/52.75 |
| AAB-007-00167 | PTO NUM 8 1-3/8F 21SP CV X 1-3/4F 20SP X 35.43/52.75 |

| | | |
|---------------|---|-----------------------------------|
| DR GM | TOLERANCES (UNLESS SPECIFIED OTHERWISE) FRACTIONAL ± 1/16" DEC X.X ± 0.1" DEC X.XX ± 0.06" DEC X.XXX ± 0.031" ANGULAR ± 0.5° | JAY-LOR Fabricating Inc |
| DAT 4/15/2008 | | |
| MAT | | |



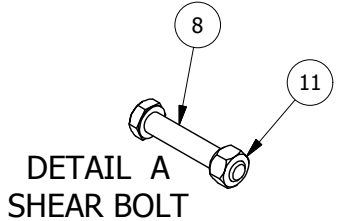
| Parts List | | | |
|------------|---------------|--|-----|
| ITEM | PART NUMBER | TITLE | QTY |
| 1 | AAA-007-00032 | 2 SPD LWR MNT 1/4T | 1 |
| 2 | AAA-007-00033 | 2 SPD UPPR MNT 1/4T | 1 |
| 3 | AAB-007-00161 | PTO NUM 8 1-3/4F 20 SP X 1-3/4F 20SP WSB X 48.03/73.82 | 1 |
| 4 | AAB-007-00162 | PTO NUM 6 1-3/4F 20SP X 1-3/4F 20SP X 51.57/80.31 | 1 |
| 5 | AAB-007-00171 | PTO TAIL SHAFT COVER | 1 |
| 6 | AAB-007-00322 | PTO COVER YELLOW | 1 |
| 7 | AAB-007-00323 | DRIVESHFT COUNTER CONE BLACK WITH FLAPS | 3 |
| 8 | AAB-007-00384 | BOLT SHEAR HEX 12MM X 65MM UNF GRD 8.8 | 1 |
| 9 | AAB-015-10073 | BOLT HEX 16MM X 45MM GRD 10.9 | 6 |
| 10 | AAB-015-10078 | BOLT HEX 8MM X 16MM GRD 8.8 | 20 |
| 11 | AAB-015-20022 | NUT HEX ALL STL LOCK 12MM | 1 |

| 2-Speed Gearbox Part Numbers | |
|------------------------------|---------------------------------------|
| PART # | DESCRIPTION |
| AAA-007-00002 | GEARBOX AP502 2-SPEED (1.8:1) (1:1) |
| AAA-007-00004 | GEARBOX AP502 2-SPEED (1.3:1) (1:1) |
| AAA-007-00005 | GEARBOX AP502 2-SPEED (2.7:1) (1.8:1) |

| Gearbox Part Numbers | | |
|---------------------------------------|---------------|--------------------------------|
| MODEL | PART # | DESCRIPTION |
| 4650 | AAB-007-00671 | GRBX PGA 1602 W/ TOP BREATHER |
| 4750,4850,4990 WITH STANDARD AUGER | AAB-007-00677 | GRBX PGA 1603B W/ TOP BREATHER |
| 4750,4850,4990 WITH DROP FLIGHT AUGER | AAB-007-00147 | GRBX PGA 1603 |

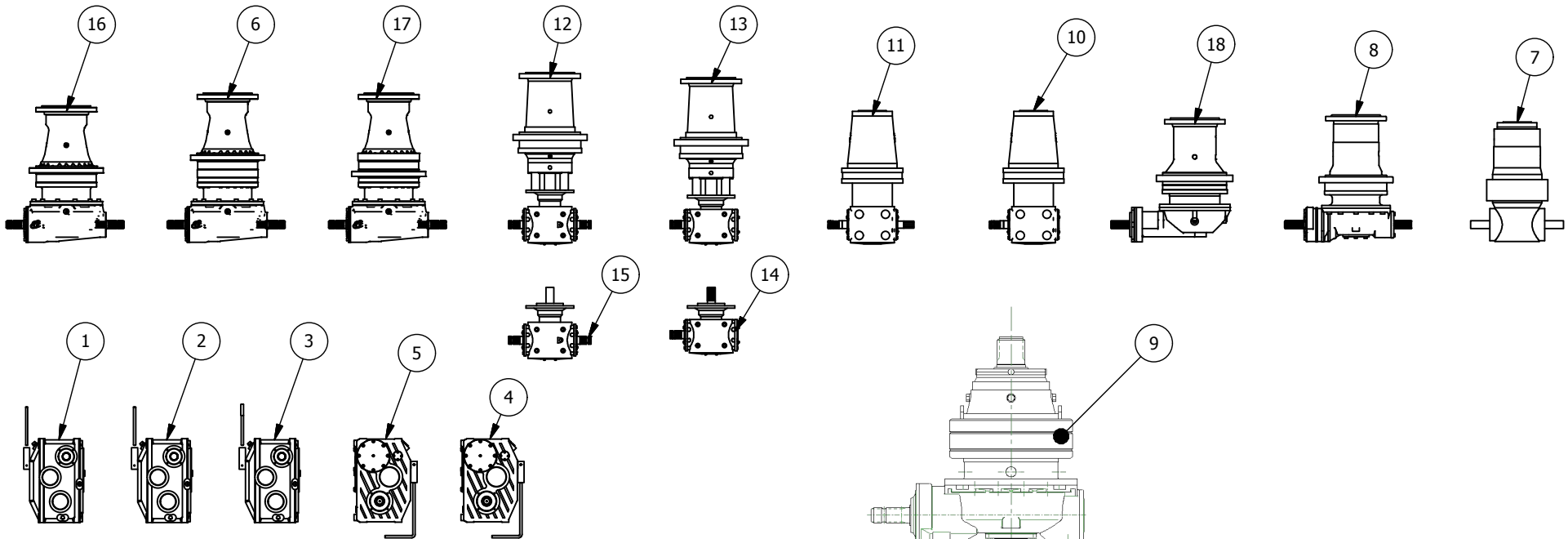
| CV PTO Option Part Numbers | |
|----------------------------|--|
| PART # | DESCRIPTION |
| AAB-007-00163 | PTO NUM 8 1-3/4F 20SP CV X 1-3/4F 20SP X 35.43/52.75 |
| AAB-007-00164 | PTO NUM 8 1-3/8F 6SP CV X 1-3/4F 20 SP X 35.43/52.75 |
| AAB-007-00167 | PTO NUM 8 1-3/8F 21SP CV X 1-3/4F 20SP X 35.43/52.75 |

| Standard PTO Part Numbers | | |
|---------------------------|---------------|---|
| MODEL | PART # | DESCRIPTION |
| 4650 | AAB-007-00157 | PTO NUM 8 1-3/8F 6SP X 1-3/4F 20SP X 40.16/60.63 |
| 4750 | AAB-007-00158 | PTO NUM 8 1-3/8 21SP X 1-3/4F 20SP X 42.13/64.17 |
| | AAB-007-00159 | PTO NUM 8 1-3/4F 20SP X 1-3/4F 20SP X 42.13/64.17 |
| 4850 | AAB-007-00158 | PTO NUM 8 1-3/8 21SP X 1-3/4F 20SP X 42.13/64.17 |
| | AAB-007-00159 | PTO NUM 8 1-3/4F 20SP X 1-3/4F 20SP X 42.13/64.17 |
| 4990 | AAB-007-00158 | PTO NUM 8 1-3/8 21SP X 1-3/4F 20SP X 42.13/64.17 |
| | AAB-007-00159 | PTO NUM 8 1-3/4F 20SP X 1-3/4F 20SP X 42.13/64.17 |



| | | | |
|-----|-----------|---|-----------------------------------|
| DR | GM | TOLERANCES (UNLESS SPECIFIED OTHERWISE) FRACTIONAL ± 1/16" DEC X.X ± 0.1" DEC X.XXX ± 0.06" DEC X.XXXX ± 0.031" ANGULAR ± 0.5° | JAY-LOR Fabricating Inc |
| DAT | 4/15/2008 | | |
| MAT | | | |

| Parts List | | | | |
|------------|---------------|--|-----|--------------------|
| ITEM | PART NUMBER | TITLE | QTY | UNIT QTY |
| 1 | AAA-007-00002 | GRBX AP502 2-SPEED (1.8:1) (1:1) PAINTED | 1 | 10.5L / 2.8 US Gal |
| 2 | AAA-007-00004 | GRBX AP502 2-SPEED (1.3:1) (1:1) PAINTED | 1 | 10.5L / 2.8 US Gal |
| 3 | AAA-007-00005 | GRBX AP502 2-SPEED (1.8:1) (2.7:1) PAINTED | 1 | 10.5L / 2.8 US Gal |
| 4 | AAA-007-00691 | GRBX AP602 2-SPEED (1.3:1) (1:1) | 1 | 10.5L / 2.8 US Gal |
| 5 | AAA-007-00693 | GRBX AP602 2-SPEED (1.8:1) (1:1) | 1 | 10.5L / 2.8 US Gal |
| 6 | AAB-007-00147 | GRBX PGA 1603/ 25.89:1/ 1-3/4 Z20 | 1 | 22L / 5.82 US Gal |
| 7 | AAB-007-00284 | GRBX PLA 1000/ 3-SHAFT/ 13.35:1/ 1-3/4 Z20 | 1 | 12L / 3.15 US Gal |
| 8 | AAB-007-00285 | GRBX PLA 1502 RR/ 3-SHAFT/ 14:1/ 1-3/4 Z20 | 1 | 15.5L / 4.1 US Gal |
| 9 | AAB-007-00329 | GRBX PGA 1602 MS CC500/ 2-SHAFT/ 13.2:1/ 1-3/4 Z20 | 1 | 15.5L / 4.1 US Gal |
| 10 | AAB-007-00445 | GRBX PGA 1002/ 2-SHAFT/ 13.5:1/ 1-3/4 Z20 | 1 | 12L / 3.15 US Gal |
| 11 | AAB-007-00455 | GRBX PGA 1002/ 3-SHAFT/ 13.5:1/ 1-3/4 Z20 | 1 | 12L / 3.15 US Gal |
| 12 | AAB-007-00520 | GRBX PG 1802/ 3-SHAFT/ 1.15:1/ 1-3/4 Z20 | 1 | 22L / 5.82 US Gal |
| 13 | AAB-007-00521 | GRBX PG 1802/ 2-SHAFT/ 1.15:1/ 1-3/4 Z20 | 1 | 22L / 5.82 US Gal |
| 14 | AAB-007-00535 | GRBX T269B/ 2-SHAFT/ 1.15:1/ 1-3/4 20SP | 1 | 4.5L / 1.18 Gal |
| 15 | AAB-007-00543 | GRBX T269B/ 3-SHAFT/ 1.15:1/ 1-3/4 20SP | 1 | 4.5L / 1.18 Gal |
| 16 | AAB-007-00671 | GRBX PGA 1602/ 13.4:1/ 1-3/4 Z20/ TOP BREATHER | 1 | 20L / 4.75 US Gal |
| 17 | AAB-007-00677 | GRBX PGA 1603B/ 25.89:1/ 1-3/4 Z20/ TOP BREATHER | 1 | 22L / 5.82 US Gal |
| 18 | AAB-007-00764 | GRBX PGA 1602 W/ CD450/ 2-SHAFT/ 13.2:1/ 1-3/4 Z20 | 1 | 18L / 4.76 US Gal |

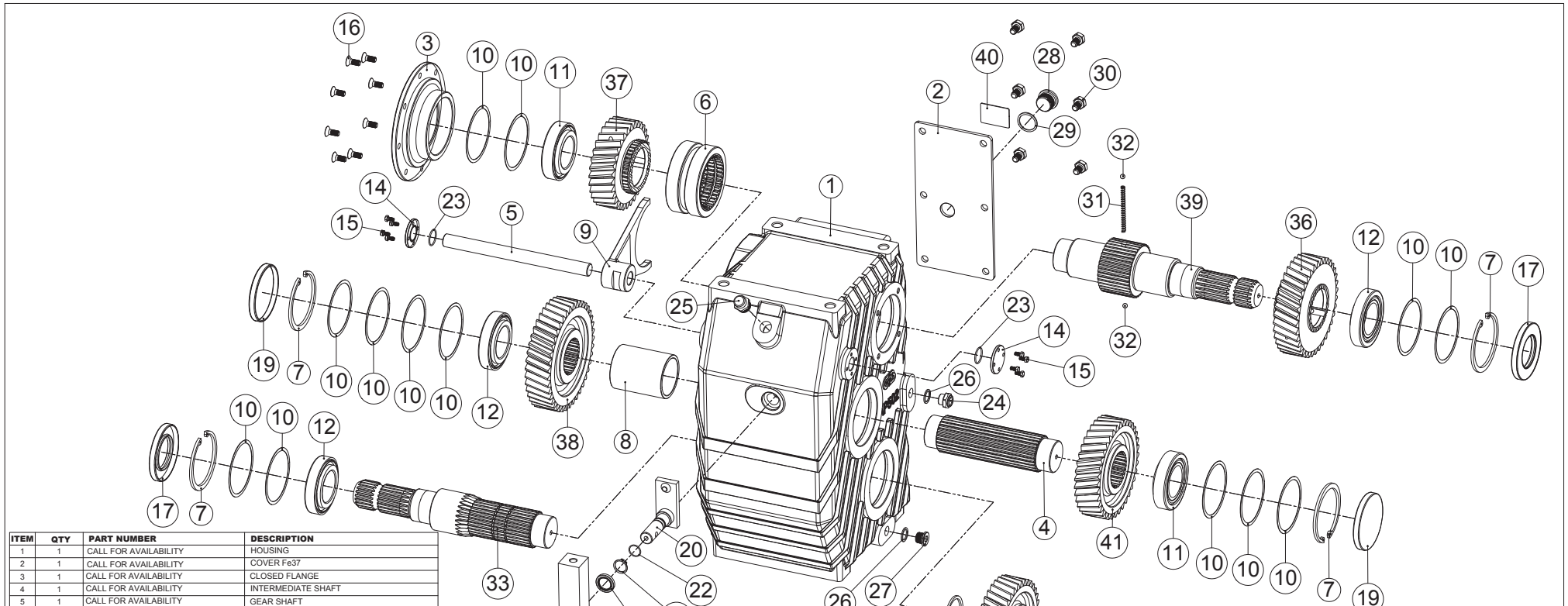


NOTE:
FOR GEARBOXES WITH EXTERNAL RESERVIORS
ADD 2 LITERS TO OIL CAPACITY

| | | | |
|-----|----------|---|-----------------------------------|
| DR | LMV | TOLERANCES (UNLESS SPECIFIED OTHERWISE) FRACTIONAL ± 1/16" DEC X.X ± 0.1" DEC X.XX ± 0.06" DEC X.XXX ± 0.031" ANGULAR ± 0.5° | JAY•LOR Fabricating Inc |
| DAT | 5/7/2009 | | |
| MAT | | | |

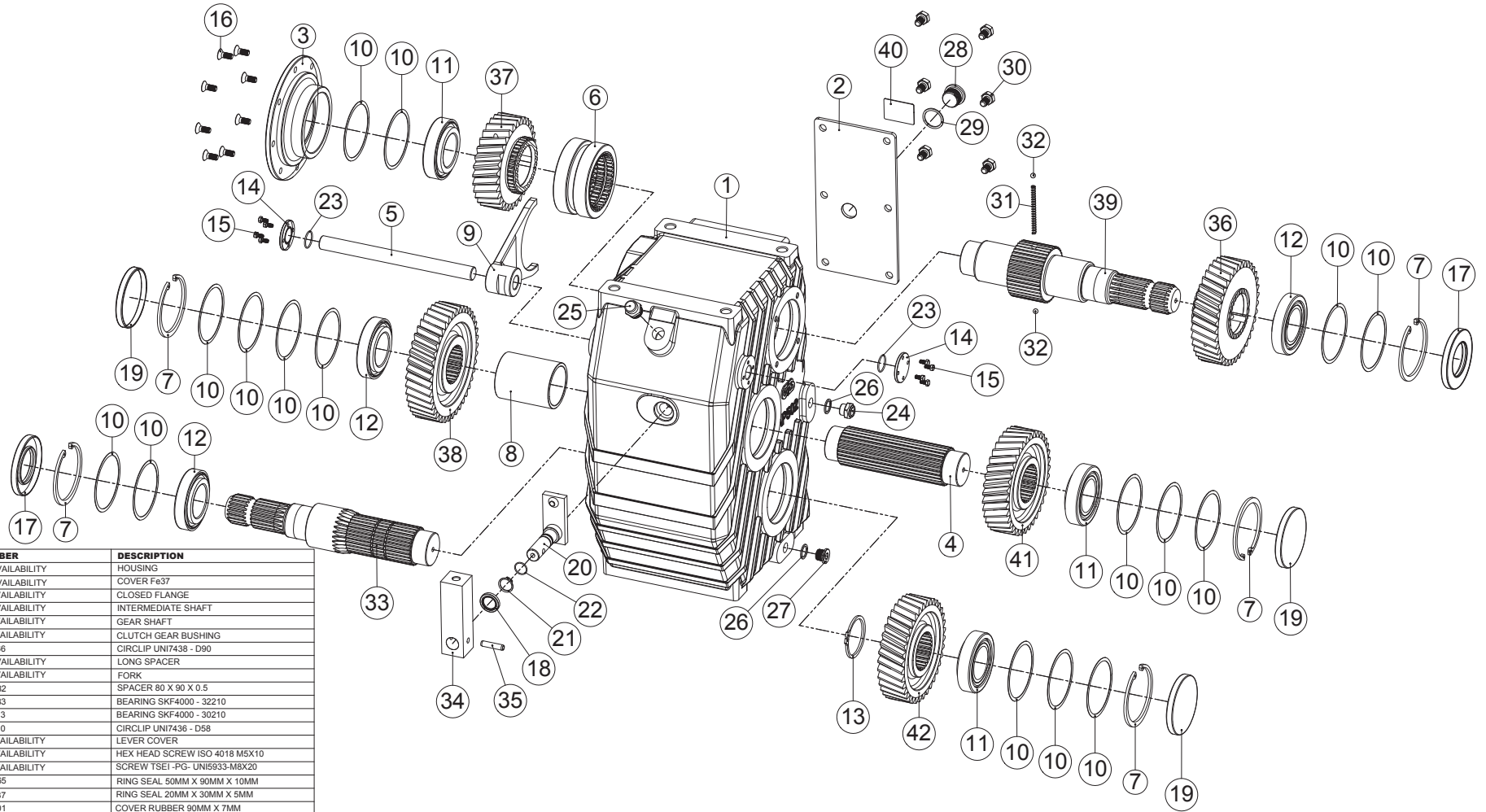
| | | | | | | | |
|-------------------------------|---------|--------------|----|------|-------------|-------------------|----|
| UNITS | PAPER A | SHEET 1 OF 2 | R# | DATE | DESCRIPTION | DR | CK |
| TITLE GEARBOX REFERENCE CHART | | | | | FILE NO | AAA-054-00025.idw | |

CONFIDENTIAL: THESE DRAWINGS AND COPIES THEREOF REMAIN THE PROPERTY OF JAY-LOR FABRICATING INC. ANY PERSON FOUND UNLAWFULLY USING, DISTRIBUTING, OR IN POSSESSION OF THE ABOVE WILL BE PROSECUTED



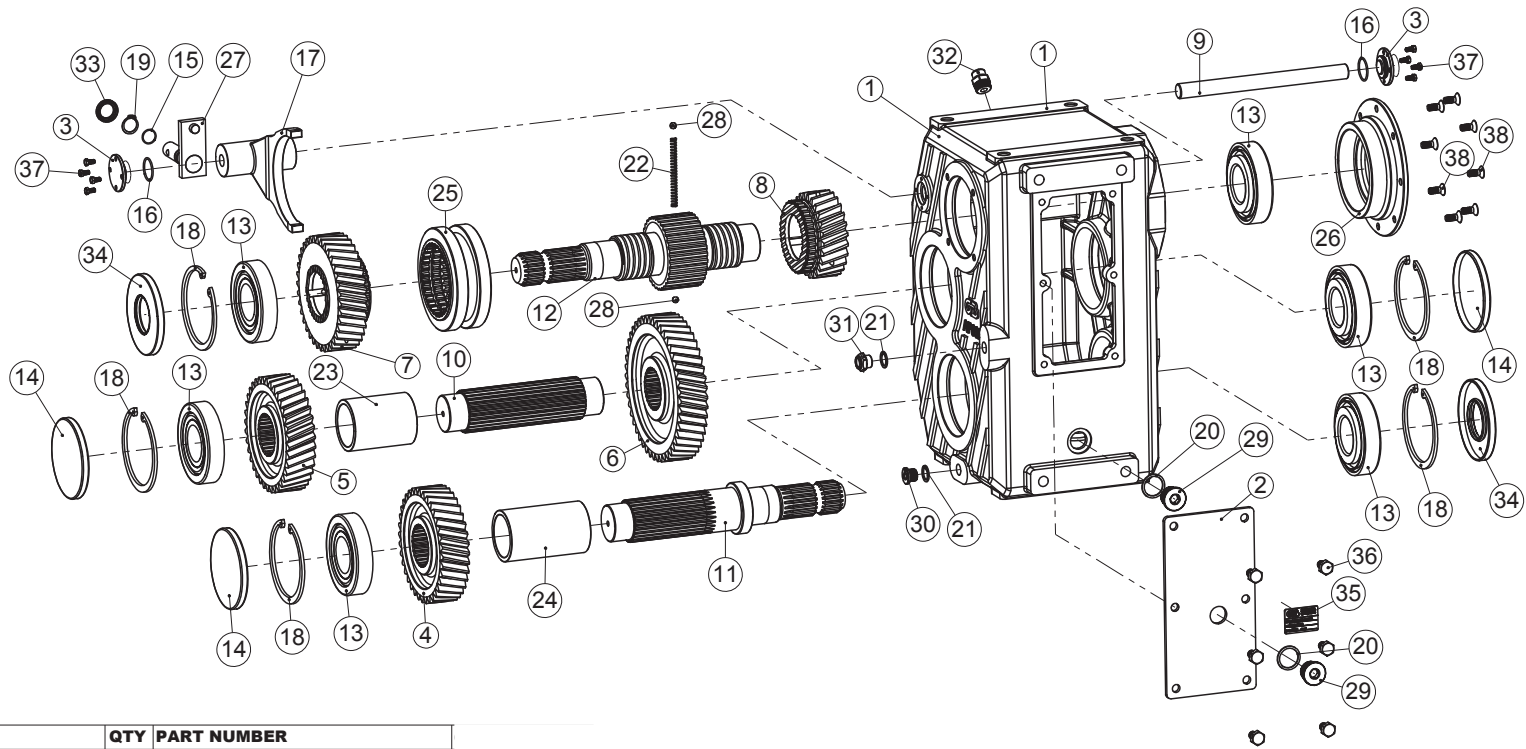
| ITEM | QTY | PART NUMBER | DESCRIPTION |
|------|-----|-----------------------|--------------------------------|
| 1 | 1 | CALL FOR AVAILABILITY | HOUSING |
| 2 | 1 | CALL FOR AVAILABILITY | COVER Fe37 |
| 3 | 1 | CALL FOR AVAILABILITY | CLOSED FLANGE |
| 4 | 1 | CALL FOR AVAILABILITY | INTERMEDIATE SHAFT |
| 5 | 1 | CALL FOR AVAILABILITY | GEAR SHAFT |
| 6 | 1 | CALL FOR AVAILABILITY | CLUTCH GEAR BUSHING |
| 7 | 5 | AAB-007-00366 | CIRCLIP UNI7438 - D90 |
| 8 | 1 | CALL FOR AVAILABILITY | LONG SPACER |
| 9 | 1 | CALL FOR AVAILABILITY | FORK |
| 10 | 16 | AAB-007-00482 | SPACER 80 X 90 X 0.5 |
| 11 | 3 | AAB-007-00483 | BEARING SKF4000 - 32210 |
| 12 | 3 | AAB-007-00513 | BEARING SKF4000 - 30210 |
| 13 | 1 | AAB-007-00510 | CIRCLIP UNI7436 - D58 |
| 14 | 2 | CALL FOR AVAILABILITY | LEVER COVER |
| 15 | 8 | CALL FOR AVAILABILITY | HEX HEAD SCREW ISO 4018 MSX10 |
| 16 | 8 | CALL FOR AVAILABILITY | SCREW TSEI -PG- UNI933-M8X20 |
| 17 | 2 | AAB-007-00365 | RING SEAL 50MM X 90MM X 10MM |
| 18 | 1 | AAB-007-00487 | RING SEAL 20MM X 30MM X 6MM |
| 19 | 3 | AAB-007-00501 | COVER RUBBER 90MM X 7MM |
| 20 | 1 | CALL FOR AVAILABILITY | WELDED LEVER |
| 21 | 1 | CALL FOR AVAILABILITY | CIRCLIP UNI7435 - D20 |
| 22 | 1 | AAB-007-00620 | O-RING 17MM X 1.5MM |
| 23 | 2 | CALL FOR AVAILABILITY | O-RING 23MM X 1.5MM |
| 24 | 1 | CALL FOR AVAILABILITY | OIL LEVEL PLUG 3/8" |
| 25 | 1 | CALL FOR AVAILABILITY | OIL BREATHER CAP 1/2" GAS |
| 26 | 2 | CALL FOR AVAILABILITY | ALUMINUM SEAL 3/8" |
| 27 | 1 | CALL FOR AVAILABILITY | OIL PLUG 3/8" |
| 28 | 1 | CALL FOR AVAILABILITY | OIL PLUG 3/4" |
| 29 | 1 | CALL FOR AVAILABILITY | SEAL 3/4" |
| 30 | 6 | CALL FOR AVAILABILITY | HEX HEAD SCREW M10X16 ISO 4018 |
| 31 | 1 | CALL FOR AVAILABILITY | GEAR SPRING |
| 32 | 2 | CALL FOR AVAILABILITY | BALL 7MM |
| 33 | 1 | CALL FOR AVAILABILITY | OUTPUT SHAFT |
| 34 | 1 | CALL FOR AVAILABILITY | EXTERNAL LEVER |
| 35 | 1 | CALL FOR AVAILABILITY | SPRING PIN 8X35 |
| 36 | 1 | CALL FOR AVAILABILITY | GEAR Z36 M4 R1/1 EL DX RL |
| 37 | 1 | CALL FOR AVAILABILITY | PINION Z25 M4 R1/1.84 EL SX RL |
| 38 | 1 | CALL FOR AVAILABILITY | CROWN Z46 M4 R1/1.84 EL DX |
| 39 | 1 | CALL FOR AVAILABILITY | JACK SHAFT R |
| 40 | 1 | CALL FOR AVAILABILITY | PLATE AP502 1.00/1.80 RR EL |
| 41 | 1 | CALL FOR AVAILABILITY | GEAR Z36 M4 R1/1 EL SX |
| 42 | 1 | CALL FOR AVAILABILITY | GEAR Z36 M4 R1/1 DX EL |

AAA-007-00002
GRBX AP502 2-SPEED (1.8:1)(1:1)



| ITEM | QTY | PART NUMBER | DESCRIPTION |
|------|-----|-----------------------|--------------------------------|
| 1 | 1 | CALL FOR AVAILABILITY | HOUSING |
| 2 | 1 | CALL FOR AVAILABILITY | COVER Fe37 |
| 3 | 1 | CALL FOR AVAILABILITY | CLOSED FLANGE |
| 4 | 1 | CALL FOR AVAILABILITY | INTERMEDIATE SHAFT |
| 5 | 1 | CALL FOR AVAILABILITY | GEAR SHAFT |
| 6 | 1 | CALL FOR AVAILABILITY | CLUTCH GEAR BUSHING |
| 7 | 5 | AAB-007-00366 | CIRCLIP UN17438 - D90 |
| 8 | 1 | CALL FOR AVAILABILITY | LONG SPACER |
| 9 | 1 | CALL FOR AVAILABILITY | FORK |
| 10 | 16 | AAB-007-00482 | SPACER 80 X 90 X 0.5 |
| 11 | 3 | AAB-007-00483 | BEARING SKF4000 - 32210 |
| 12 | 3 | AAB-007-00513 | BEARING SKF4000 - 30210 |
| 13 | 1 | AAB-007-00510 | CIRCLIP UN17436 - D58 |
| 14 | 2 | CALL FOR AVAILABILITY | LEVER COVER |
| 15 | 8 | CALL FOR AVAILABILITY | HEX HEAD SCREW ISO 4018 MSX10 |
| 16 | 8 | CALL FOR AVAILABILITY | SCREW TSEI -PG- UN18933-M8X20 |
| 17 | 2 | AAB-007-00365 | RING SEAL 50MM X 90MM X 10MM |
| 18 | 1 | AAB-007-00487 | RING SEAL 20MM X 30MM X 6MM |
| 19 | 3 | AAB-007-00501 | COVER RUBBER 90MM X 7MM |
| 20 | 1 | CALL FOR AVAILABILITY | WELDED LEVER |
| 21 | 1 | CALL FOR AVAILABILITY | CIRCLIP UN17435 - D20 |
| 22 | 1 | AAB-007-00620 | O-RING 17MM X 1.5MM |
| 23 | 2 | CALL FOR AVAILABILITY | O-RING 23MM X 1.5MM |
| 24 | 1 | CALL FOR AVAILABILITY | OIL LEVEL PLUG 3/8" |
| 25 | 1 | CALL FOR AVAILABILITY | OIL BREATHER CAP 1/2" GAS |
| 26 | 2 | CALL FOR AVAILABILITY | ALUMINUM SEAL 3/8" |
| 27 | 1 | CALL FOR AVAILABILITY | OIL PLUG 3/8" |
| 28 | 1 | CALL FOR AVAILABILITY | OIL PLUG 3/4" |
| 29 | 1 | CALL FOR AVAILABILITY | SEAL 3/4" |
| 30 | 6 | CALL FOR AVAILABILITY | HEX HEAD SCREW M10X16 ISO 4018 |
| 31 | 1 | CALL FOR AVAILABILITY | GEAR SPRING |
| 32 | 2 | CALL FOR AVAILABILITY | BALL 7MM |
| 33 | 1 | CALL FOR AVAILABILITY | OUTPUT SHAFT |
| 34 | 1 | CALL FOR AVAILABILITY | EXTERNAL LEVER |
| 35 | 1 | CALL FOR AVAILABILITY | SPRING PIN 8X35 |
| 36 | 1 | CALL FOR AVAILABILITY | GEAR Z36 M4 R1/1.32 EL 1 RL |
| 37 | 1 | CALL FOR AVAILABILITY | PINION Z31 M4 R1/1.32 EL SX RL |
| 38 | 1 | CALL FOR AVAILABILITY | CROWN Z41 M4 R1/1.32 EL DX |
| 39 | 1 | CALL FOR AVAILABILITY | JACK SHAFT R |
| 40 | 1 | CALL FOR AVAILABILITY | PLATE AP502 1.00/1.30 RR EL |
| 41 | 1 | CALL FOR AVAILABILITY | GEAR Z36 M4 R1/1 EL SX |
| 42 | 1 | CALL FOR AVAILABILITY | GEAR Z36 M4 R1/1 DX EL |

| | | |
|--|--|--|
| | | |
| AAA-007-00004 | | |
| GRBX AP502 2-SPEED (1.3:1)(1:1) | | |



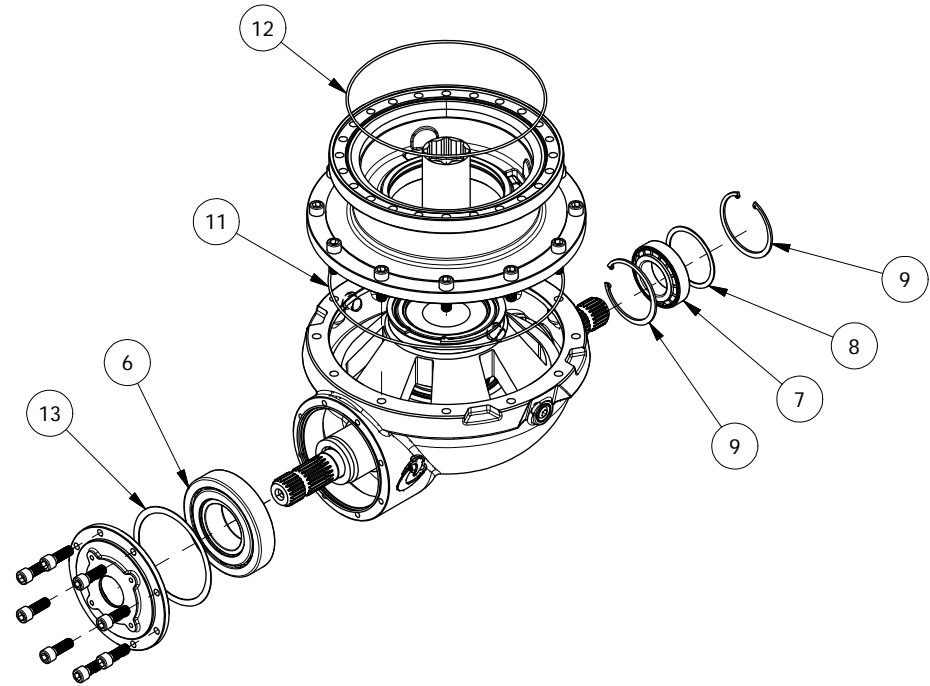
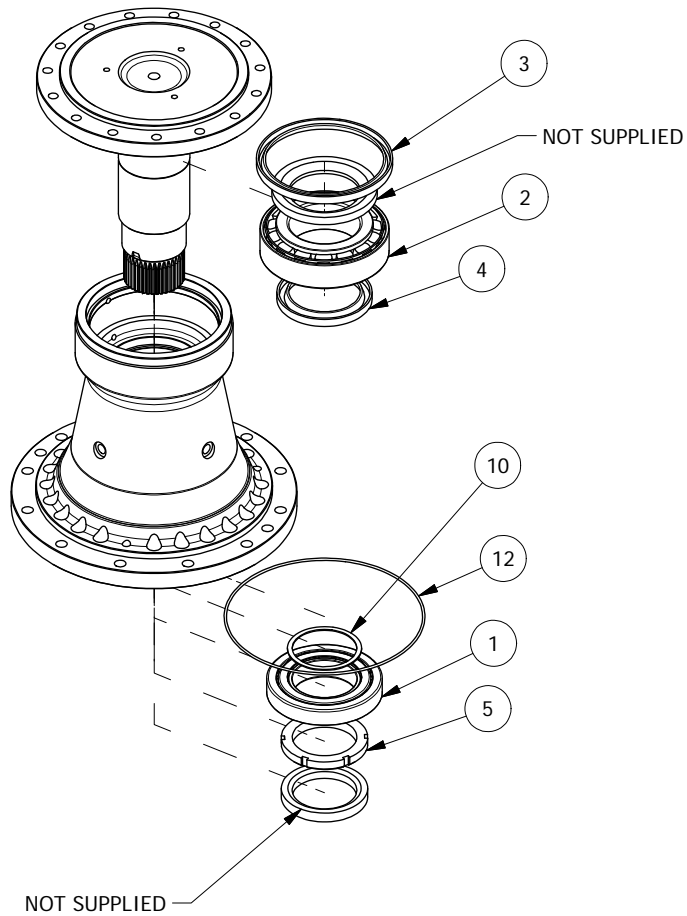
| ITEM | DESCRIPTION | QTY | PART NUMBER |
|------|--------------------------------|-----|-----------------------|
| 1 | HOUSING | 1 | CALL FOR AVAILABILITY |
| 2 | COVER Fe37 | 1 | CALL FOR AVAILABILITY |
| 3 | CLOSED FLANGE AP602 | 2 | CALL FOR AVAILABILITY |
| 4 | GEAR Z36 M4 R1/1 EL DX | 1 | CALL FOR AVAILABILITY |
| 5 | GEAR Z36 M4 R1/1 EL SX | 1 | CALL FOR AVAILABILITY |
| 6 | CROWN Z46 M4 R1/1.84 EL DX | 1 | CALL FOR AVAILABILITY |
| 7 | GEAR RL Z36 M4 R1/1 EL DX | 1 | CALL FOR AVAILABILITY |
| 8 | PINION RL Z25 M4 R1/1.84 EL SX | 1 | CALL FOR AVAILABILITY |
| 9 | GEAR SHAFT | 1 | CALL FOR AVAILABILITY |
| 10 | INTERMEDIATE SHAFT | 1 | CALL FOR AVAILABILITY |
| 11 | OUTPUT SHAFT | 1 | CALL FOR AVAILABILITY |
| 12 | INPUT SHAFT | 1 | CALL FOR AVAILABILITY |
| 13 | BRNG TAPERED ROLLER 30310 | 6 | AAB-007-00464 |
| 14 | COVER RUBBER 110MM X 10MM RCA | 3 | AAB-007-00775 |
| 15 | O-RING 17MM X 1.5MM | 1 | AAB-007-00620 |
| 16 | O-RING 28.3MM X 1.78MM | 2 | CALL FOR AVAILABILITY |
| 17 | FORK | 1 | CALL FOR AVAILABILITY |
| 18 | CIRCLIP INTERNAL 110MM UNI7437 | 5 | AAB-007-00776 |
| 19 | CIRCLIP EXTERNAL 20MM UNI7435 | 1 | CALL FOR AVAILABILITY |
| 20 | COPPER GASKET 3/4" | 2 | CALL FOR AVAILABILITY |

| ITEM | DESCRIPTION | QTY | PART NUMBER |
|------|--------------------------------|-----|-----------------------|
| 21 | ALUMINUM GASKET 3/8" | 2 | CALL FOR AVAILABILITY |
| 22 | GEAR SPRING AP602 | 1 | CALL FOR AVAILABILITY |
| 23 | SPACER L=90.5MM | 1 | CALL FOR AVAILABILITY |
| 24 | SPACER L=115.5MM | 1 | CALL FOR AVAILABILITY |
| 25 | CLUTCH GEAR BUSHING | 1 | CALL FOR AVAILABILITY |
| 26 | CLOSED FLANGE | 1 | CALL FOR AVAILABILITY |
| 27 | WELDED LEVER | 1 | CALL FOR AVAILABILITY |
| 28 | BALL 8MM | 2 | CALL FOR AVAILABILITY |
| 29 | OIL PLUG 3/4" DIN908 | 2 | CALL FOR AVAILABILITY |
| 30 | OIL PLUG 3/8" DIN908 | 1 | CALL FOR AVAILABILITY |
| 31 | OIL PLUG VISUAL 3/8" ALUMINUM | 1 | CALL FOR AVAILABILITY |
| 32 | OIL BREATHER PLUG 1/2" | 1 | CALL FOR AVAILABILITY |
| 33 | OIL SEAL 20MM X 30MM X 5MM | 1 | AAB-007-00487 |
| 34 | OIL SEAL 50MM X 110MM X 10MM | 2 | AAB-007-00777 |
| 35 | PLATE AP602 1.00/1.80 JR1EL | 1 | CALL FOR AVAILABILITY |
| 36 | HEX HEAD SCREW M10 X 16 | 6 | CALL FOR AVAILABILITY |
| 37 | HEX HEAD SCREW M5 X 10 | 8 | CALL FOR AVAILABILITY |
| 38 | SCREW TSEI -PG- UNI5933 M8 X20 | 8 | CALL FOR AVAILABILITY |

AAA-007-00693
GRBX AP602 2-SPEED (1.8:1)(1:1)

Parts List

| ITEM | PART NUMBER | TITLE | QTY |
|------|---------------|-------------------------------------|-----|
| 1 | AAB-007-00237 | TAPERED ROLLER BRNG (32221) | 1 |
| 2 | AAB-007-00238 | TAPER ROLLER BRNG (30219) | 1 |
| 3 | AAB-007-00239 | OIL SEAL A 180X200X15 DIN 3760 - NB | 1 |
| 4 | AAB-007-00242 | OIL SEAL A 105X140X12 DIN 3760 - NB | 1 |
| 5 | AAB-007-00244 | RING NUT | 1 |
| 6 | AAB-007-00250 | TAPERED ROLLER BEARING (30315) | 1 |
| 7 | AAB-007-00251 | TAPERED ROLLER BRNG (32211) | 1 |
| 8 | AAB-007-00645 | SHIM KIT 85.3 x 99.7 | 1 |
| 9 | AAB-007-00258 | INTERNAL CIRCLIP 100MM | 2 |
| 10 | AAB-007-00404 | SHIM KIT 95 X 109 | 1 |
| 11 | AAB-007-00408 | O-RING 3.53 X 329.79 | 1 |
| 12 | AAB-007-00523 | O-RING 3.53 X 291.69 | 2 |
| 13 | AAB-007-00698 | SHIM KIT 140.3MM X 159.6MM | 1 |



NOTE:
KITS AVAILABLE FOR:

1. COMPLETE PLANETARY REDUCTION ASSEMBLY
2. INPUT AND OUTPUT SHAFT SEALS

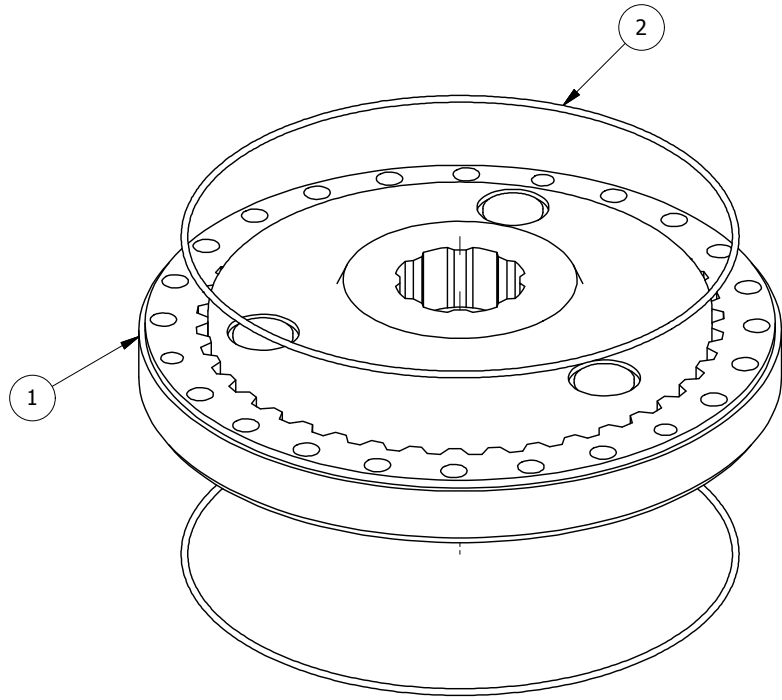
ALL PARTS NOT IN KITS PLEASE REFER TO
MANUFACTURER'S PART LIST IN GEARBOX SECTION

| | | | |
|-----|----------|---|-----------------------------------|
| DR | LMV | TOLERANCES (UNLESS SPECIFIED OTHERWISE) FRACTIONAL ± 1/16" DEC X.X ± 0.1" DEC X.XX ± 0.06" DEC X.XXX ± 0.031" ANGULAR ± 0.5° | JAY-LOR Fabricating Inc |
| DAT | 4/9/2008 | | |
| MAT | | | |

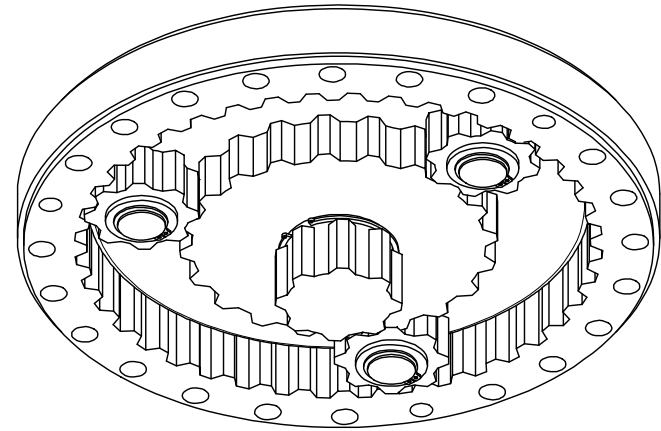
| UNITS | PAPER A | SHEET 1 OF 1 | R# | DATE | DESCRIPTION | DR | CK |
|-------|--------------------------------|--------------|----|------|-------------|---------|-------------------|
| TITLE | KIT SEAL / BEARING 1602 / 1603 | | | | | FILE NO | AAA-007-00131.idw |

CONFIDENTIAL: THESE DRAWINGS AND COPIES THEREOF REMAIN THE PROPERTY OF JAY-LOR FABRICATING INC. ANY PERSON FOUND UNLAWFULLY USING, DISTRIBUTING, OR IN POSSESSION OF THE ABOVE WILL BE PROSECUTED

| Parts List | | | |
|------------|---------------|--|-----|
| ITE | PART NUMBER | TITLE | QTY |
| 1 | AAB-007-00270 | KIT PLANETARY SET PGA1603 VM (LOWER SET) | 1 |
| 2 | AAB-007-00523 | O-RING 3.53 X 291.69 | 2 |



TOP VIEW



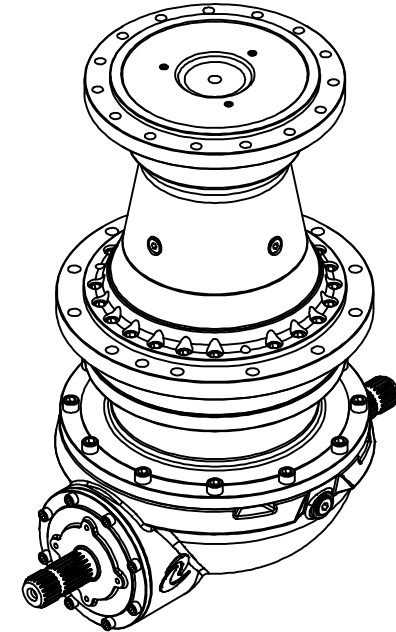
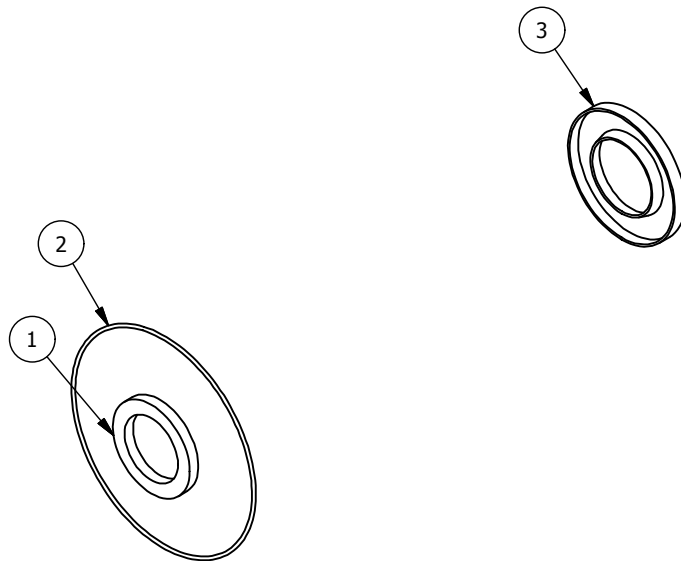
BOTTOM VIEW

| | | | | | | | |
|--|---------|--------------|----|------|-------------------|----|----|
| UNITS | PAPER A | SHEET 1 OF 1 | R# | DATE | DESCRIPTION | DR | CK |
| TITLE | | | | | FILE NO | | |
| KIT PLANETARY SET PGA1603 VM (LOWER SET) AND CONNECTION FLANGE O-RINGS | | | | | AAA-007-00132.idw | | |

| | | |
|---|---|-----------------------------------|
| DR | TOLERANCES (UNLESS SPECIFIED OTHERWISE) | JAY•LOR Fabricating Inc |
| DAT 4/16/2008 | FRACTIONAL ± 1/16" | |
| MAT | DEC X.X ± 0.1" | |
| | DEC X.XX ± 0.06" | |
| | DEC X.XXX ± 0.031" | |
| | ANGULAR ± 0.5° | |
| CONFIDENTIAL: THESE DRAWINGS AND COPIES THEREOF REMAIN THE PROPERTY OF JAY-LOR FABRICATING INC. ANY PERSON FOUND UNLAWFULLY USING, DISTRIBUTING, OR IN POSSESSION OF THE ABOVE WILL BE PROSECUTED | | |

Parts List

| ITEM | PART NUMBER | TITLE | QTY |
|------|---------------|--------------------------------------|-----|
| 1 | AAB-007-00255 | OIL SEAL BASL 45X72X8 DIN 3760 - NB | 1 |
| 2 | AAB-007-00256 | O-RING 2.62 X 158.42 | 1 |
| 3 | AAB-007-00259 | OIL SEAL BASL 55 X 100 X 10 DIN 3760 | 1 |



NOTE:
INPUT AND OUTPUT SHAFT SEALS COMMON BETWEEN 1602 AND 1603 (THRU SHAFT)

| | | | |
|-----|------------|---|-----------------------------------|
| DR | LMV | TOLERANCES (UNLESS SPECIFIED OTHERWISE) FRACTIONAL ± 1/16" DEC X.X ± 0.1" DEC X.XX ± 0.06" DEC X.XXX ± 0.031" ANGULAR ± 0.5° | JAY•LOR Fabricating Inc |
| DAT | 12/13/2010 | | |
| MAT | | | |

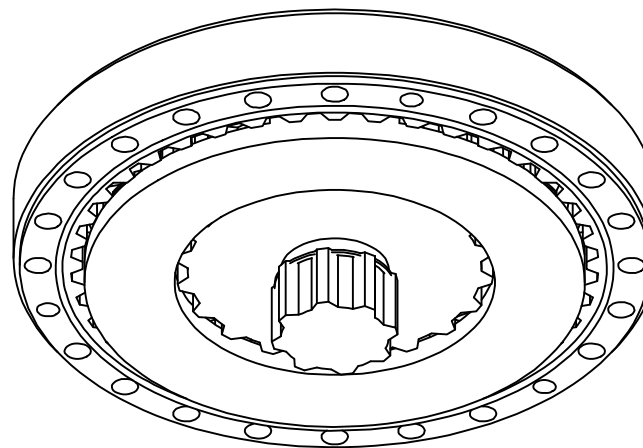
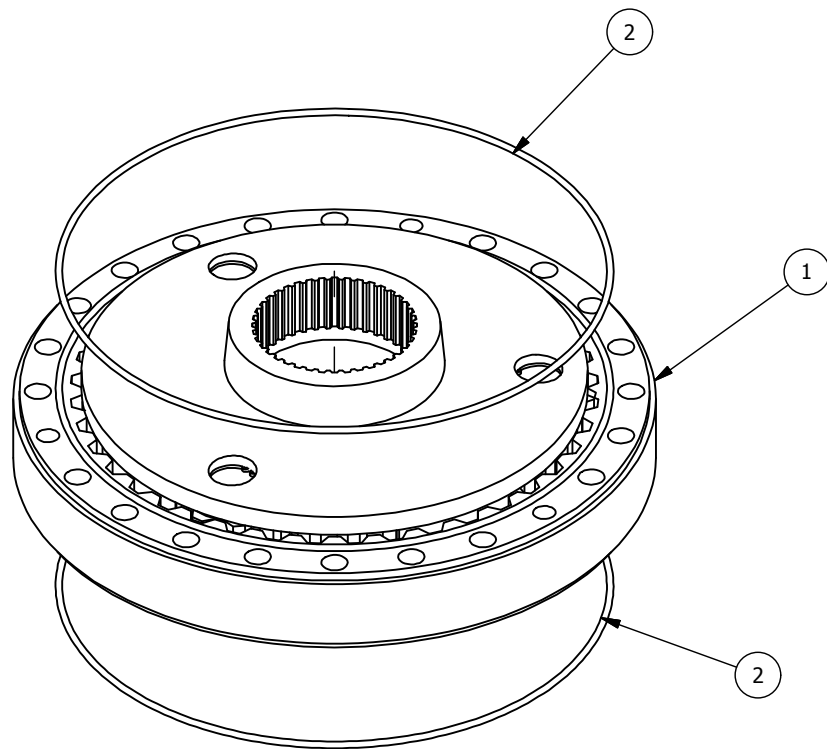
| | | | | | | | |
|-------|---------|--------------|----|------|-------------|----|----|
| UNITS | PAPER A | SHEET 1 OF 1 | R# | DATE | DESCRIPTION | DR | CK |
|-------|---------|--------------|----|------|-------------|----|----|

TITLE KIT INPUT / OUTPUT SEALS 1602 / 1603 FILE NO AAA-007-00133.idw

CONFIDENTIAL: THESE DRAWINGS AND COPIES THEREOF REMAIN THE PROPERTY OF JAY-LOR FABRICATING INC. ANY PERSON FOUND UNLAWFULLY USING, DISTRIBUTING, OR IN POSSESSION OF THE ABOVE WILL BE PROSECUTED

Parts List

| ITEM | PART NUMBER | TITLE | QTY |
|------|---------------|---|-----|
| 1 | AAB-007-00234 | KIT PLANETARY SET PGA1602 VM AND PGA1603 VM (UPPER SET) | 1 |
| 2 | AAB-007-00523 | O-RING 3.53 X 291.69 | 2 |



DR LMV

DAT 12/13/2010

MAT

TOLERANCES (UNLESS SPECIFIED OTHERWISE)
 FRACTIONAL ± 1/16"
 DEC X.X ± 0.1"
 DEC X.XX ± 0.06"
 DEC X.XXX ± 0.031"
 ANGULAR ± 0.5°

JAY•LOR
 Fabricating Inc

UNITS PAPER A SHEET 1 OF 1 R# DATE DESCRIPTION DR CK

TITLE KIT PLANETARY SET UPPER WITH O-RINGS (1602, 1603)

FILE NO AAA-007-00134.idw

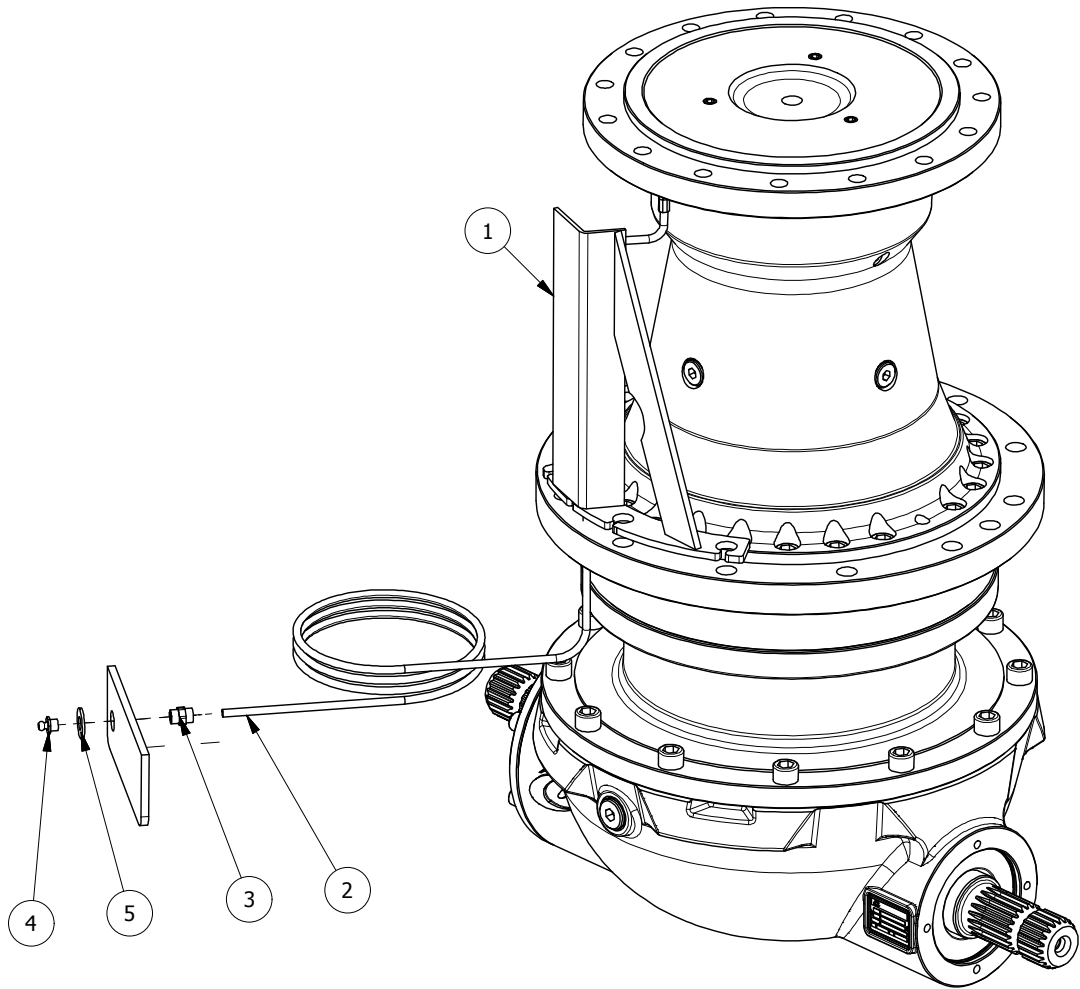
CONFIDENTIAL: THESE DRAWINGS AND COPIES THEREOF REMAIN THE PROPERTY OF JAY-LOR FABRICATING INC. ANY PERSON FOUND UNLAWFULLY USING, DISTRIBUTING, OR IN POSSESSION OF THE ABOVE WILL BE PROSECUTED

M. 008 – LUBE SYSTEM PARTS

Drawing Number Reference Chart:

| Part | Model | | | |
|---------------------------------|---------------|------|------|------|
| | 4650 | 4750 | 4850 | 4990 |
| Grease Line Assembly | AAA-008-00003 | | | |
| Planetary Gearbox Lube Assembly | AAA-008-00006 | | | |

| Parts List | | | |
|------------|---------------|---|-----|
| ITEM | PART NUMBER | TITLE | QTY |
| 1 | AAA-008-00007 | INTERNAL GREASE LINE PROTECTOR ASSY | 1 |
| 2 | AAA-008-00050 | GREASE LINE 2 MNPT X 2 MNPT X 90L/ SAE100R7 THERMAL PLASTIC | 1 |
| 3 | AAB-008-00030 | FIT ADPT 2 FNPT X 2 FNPT | 1 |
| 4 | AAB-008-00031 | FIT GREASE NIPPLE X 2 MNPT | 1 |
| 5 | AAB-015-30012 | WSHR FLAT 3/8 USS | 1 |



| | | | |
|-----|-----------|---|------------------------------------|
| DR | JET | TOLERANCES (UNLESS SPECIFIED OTHERWISE) FRACTIONAL ± 1/16" DEC X.X ± 0.1" DEC X.XX ± 0.06" DEC X.XXX ± 0.031" ANGULAR ± 0.5° | JAY•LOR® Fabricating Inc |
| DAT | 1/10/2012 | | |
| MAT | | | |

| | | | | | | | | | | |
|-------|------|-------|---|-------|--------|----|------|-------------|----|----|
| UNITS | EACH | PAPER | A | SHEET | 1 OF 1 | R# | DATE | DESCRIPTION | DR | CK |
|-------|------|-------|---|-------|--------|----|------|-------------|----|----|

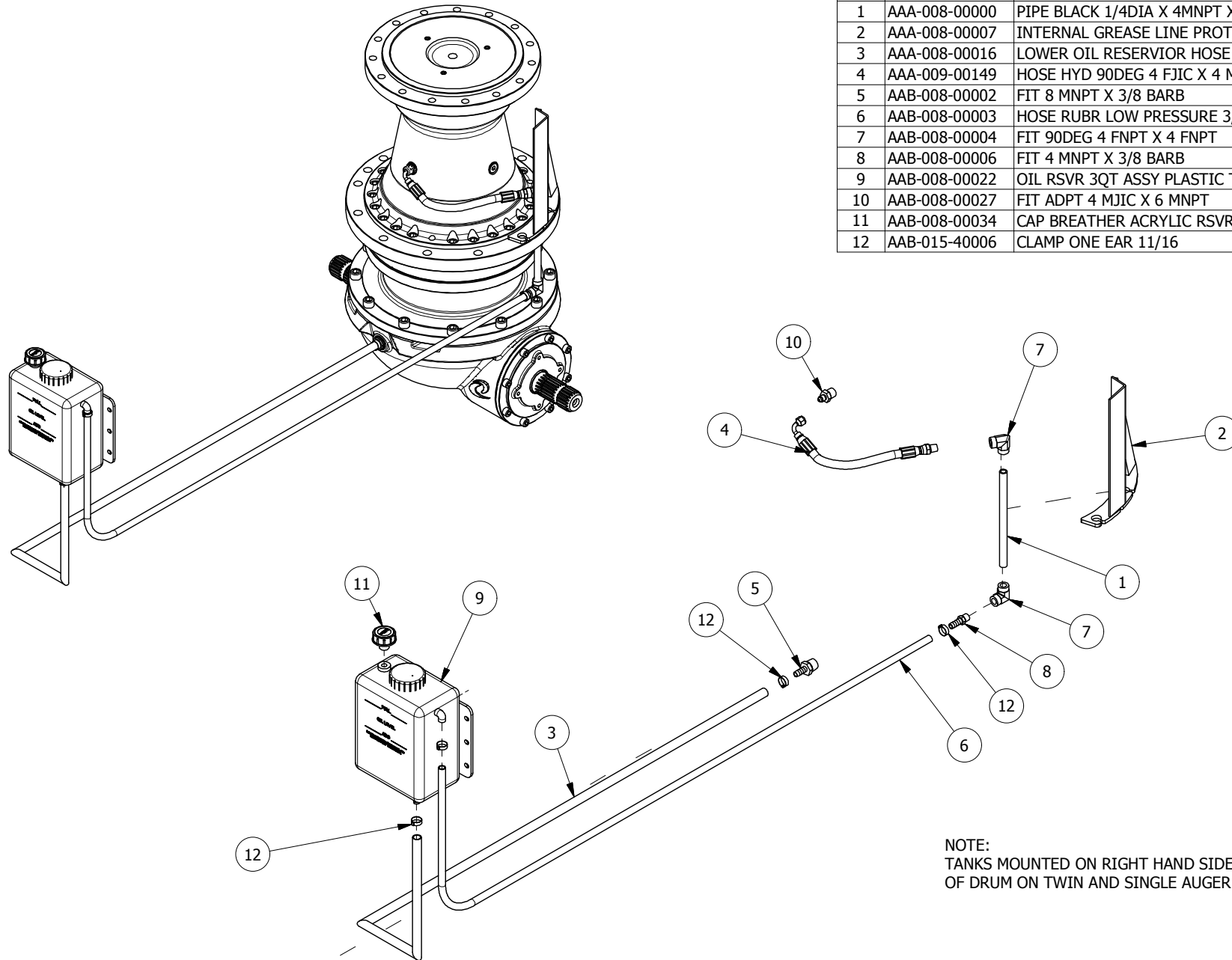
TITLE GREASE LINE ASSY

FILE NO AAA-008-00003.idw

CONFIDENTIAL: THESE DRAWINGS AND COPIES THEREOF REMAIN THE PROPERTY OF JAY-LOR FABRICATING INC. ANY PERSON FOUND UNLAWFULLY USING, DISTRIBUTING, OR IN POSSESSION OF THE ABOVE WILL BE PROSECUTED

Parts List

| ITEM | PART NUMBER | TITLE | QTY |
|------|---------------|---|-----|
| 1 | AAA-008-00000 | PIPE BLACK 1/4DIA X 4MNPT X 4MNPT | 1 |
| 2 | AAA-008-00007 | INTERNAL GREASE LINE PROTECTOR ASSY | 1 |
| 3 | AAA-008-00016 | LOWER OIL RESERVIOR HOSE 3/8 X 7.5FT | 1 |
| 4 | AAA-009-00149 | HOSE HYD 90DEG 4 FJIC X 4 MNPT X 11.75L | 1 |
| 5 | AAB-008-00002 | FIT 8 MNPT X 3/8 BARB | 1 |
| 6 | AAB-008-00003 | HOSE RUBR LOW PRESSURE 3/8 X 7.5FT | 1 |
| 7 | AAB-008-00004 | FIT 90DEG 4 FNPT X 4 FNPT | 2 |
| 8 | AAB-008-00006 | FIT 4 MNPT X 3/8 BARB | 1 |
| 9 | AAB-008-00022 | OIL RSVR 3QT ASSY PLASTIC TNK | 1 |
| 10 | AAB-008-00027 | FIT ADPT 4 MJIC X 6 MNPT | 1 |
| 11 | AAB-008-00034 | CAP BREATHER ACRYLIC RSVR | 1 |
| 12 | AAB-015-40006 | CLAMP ONE EAR 11/16 | 4 |



NOTE:
TANKS MOUNTED ON RIGHT HAND SIDE
OF DRUM ON TWIN AND SINGLE AUGER MODELS

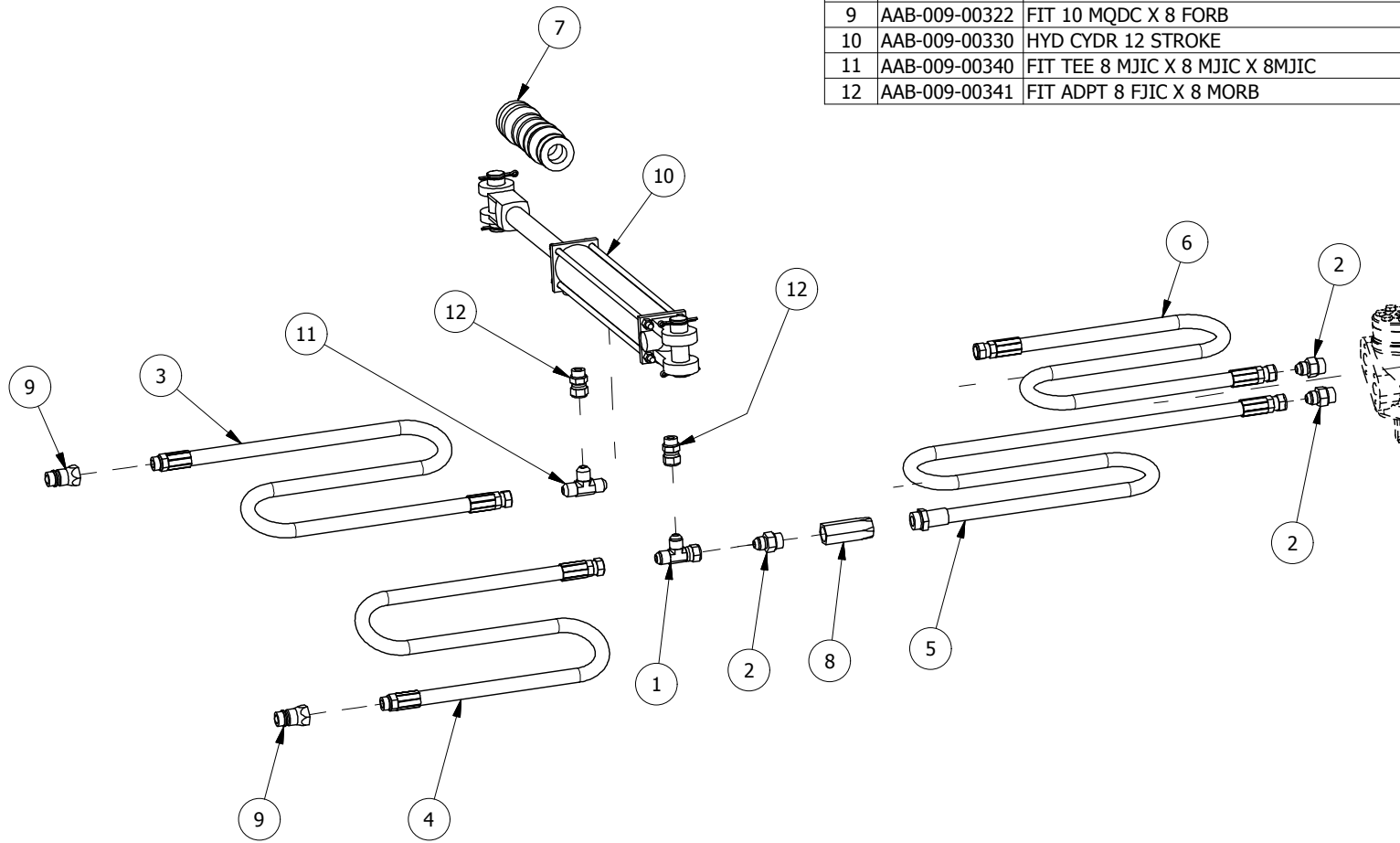
| | | | | | | | | | | | | | | | | | |
|-------|--|-------|---|-------|--------|----|---|------|------------|-------------|---|-------------------|--|---|-----|---|-----------------------------------|
| UNITS | EACH | PAPER | A | SHEET | 1 OF 2 | R# | 1 | DATE | 01/16/2009 | DESCRIPTION | REPLACED 2 QUART RESERVIOR WITH 3 QUART WITH BREATHER | LMV | | DR | BCN | TOLERANCES (UNLESS SPECIFIED OTHERWISE) | JAY•LOR Fabricating Inc |
| | | | | | | | | | | | | | | | | FRACTIONAL ± 1/16" | |
| | | | | | | | | | | | | | | | | DEC X.X ± 0.1" | |
| TITLE | GRBX LUBRICATION SYSTEM CLOSED LOOP ASSY | | | | | | | | | | FILE NO | AAA-008-00006.idw | | CONFIDENTIAL: THESE DRAWINGS AND COPIES THEREOF REMAIN THE PROPERTY OF JAY-LOR FABRICATING INC. ANY PERSON FOUND UNLAWFULLY USING, DISTRIBUTING, OR IN POSSESSION OF THE ABOVE WILL BE PROSECUTED | | | |

N. 009 – HYDRAULIC / PNEUMATIC PARTS**Drawing Number Reference Chart:**

| Part | Model | | | |
|---|---------------|------|------|------|
| | 4650 | 4750 | 4850 | 4990 |
| Hose Kit for 36" Wing | AAA-009-00052 | | | |
| Hose Kit for 36" Conveyor Twin Frt Rth Door | AAA-009-00144 | | | |
| Hose Kit for 6'41" Lth Conveyor | AAA-009-00051 | | | |
| Hose Kit for 6'41" Rth Conveyor | AAA-009-00052 | | | |
| Hose Kit for 6'72" Lth Conveyor | AAA-009-00088 | | | |
| Hose Kit for 6'72" Rth Conveyor | AAA-009-00100 | | | |
| Hose Kit for Dual Flat Drop Boot | AAA-009-00161 | | | |
| Hose Kit for Dual Flat | AAA-009-00098 | | | |
| Hose Kit for Dual Flat with Lth Side Block | AAA-009-00163 | | | |
| Hose Kit for Frt Door | AAA-009-00050 | | | |
| Hose Kit for Frt Rth Door Twins | AAA-009-00143 | | | |
| Hose Kit for Frt Rth Drop FLR Twins | AAA-009-00159 | | | |
| Hose Kit for Rear Door Twins | AAA-009-00122 | | | |
| Hose Kit for Rear Left Door Twins | AAA-009-00146 | | | |

Parts List

| ITEM | PART NUMBER | TITLE | QTY |
|------|---------------|---|-----|
| 1 | AAB-009-00029 | FIT TEE 8 MJIC X 8 FJIC X 8 MJIC | 1 |
| 2 | AAB-009-00080 | FIT ADPT 8 MJIC X 10 MORB | 3 |
| 3 | AAB-009-00129 | HOSE HYD 1/2DIA SINGLE BRAID 8 FJIC SWIVEL X 8 MORB 152L | 1 |
| 4 | AAB-009-00130 | HOSE HYD 1/2DIA SINGLE BRAID 8 FJIC SWIVEL X 8 MORB 136L | 1 |
| 5 | AAB-009-00136 | HOSE HYD 1/2DIA SINGLE BRAID 8 FJIC SWIVEL X 10 MORB 117L | 1 |
| 6 | AAB-009-00137 | HOSE HYD 1/2DIA SINGLE BRAID 8 FJIC SWIVEL X 8 FJIC SWIVEL 107L | 1 |
| 7 | AAB-009-00314 | LOCK COLLAR SET | 1 |
| 8 | AAB-009-00321 | VALVE CHECK 10 FORB X 10 FORB | 1 |
| 9 | AAB-009-00322 | FIT 10 MQDC X 8 FORB | 2 |
| 10 | AAB-009-00330 | HYD CYDR 12 STROKE | 1 |
| 11 | AAB-009-00340 | FIT TEE 8 MJIC X 8 MJIC X 8MJIC | 1 |
| 12 | AAB-009-00341 | FIT ADPT 8 FJIC X 8 MORB | 2 |



| | | | |
|-----|-----------|---|------------------------------------|
| DR | GM | TOLERANCES (UNLESS SPECIFIED OTHERWISE) FRACTIONAL ± 1/16" DEC X.X ± 0.1" DEC X.XX ± 0.06" DEC X.XXX ± 0.031" ANGULAR ± 0.5° | JAY•LOR® Fabricating Inc |
| DAT | 1/19/2012 | | |
| MAT | | | |

| | | | | | | | |
|-------|---------|--------------|----|------|-------------|----|----|
| UNITS | PAPER A | SHEET 1 OF 1 | R# | DATE | DESCRIPTION | DR | CK |
|-------|---------|--------------|----|------|-------------|----|----|

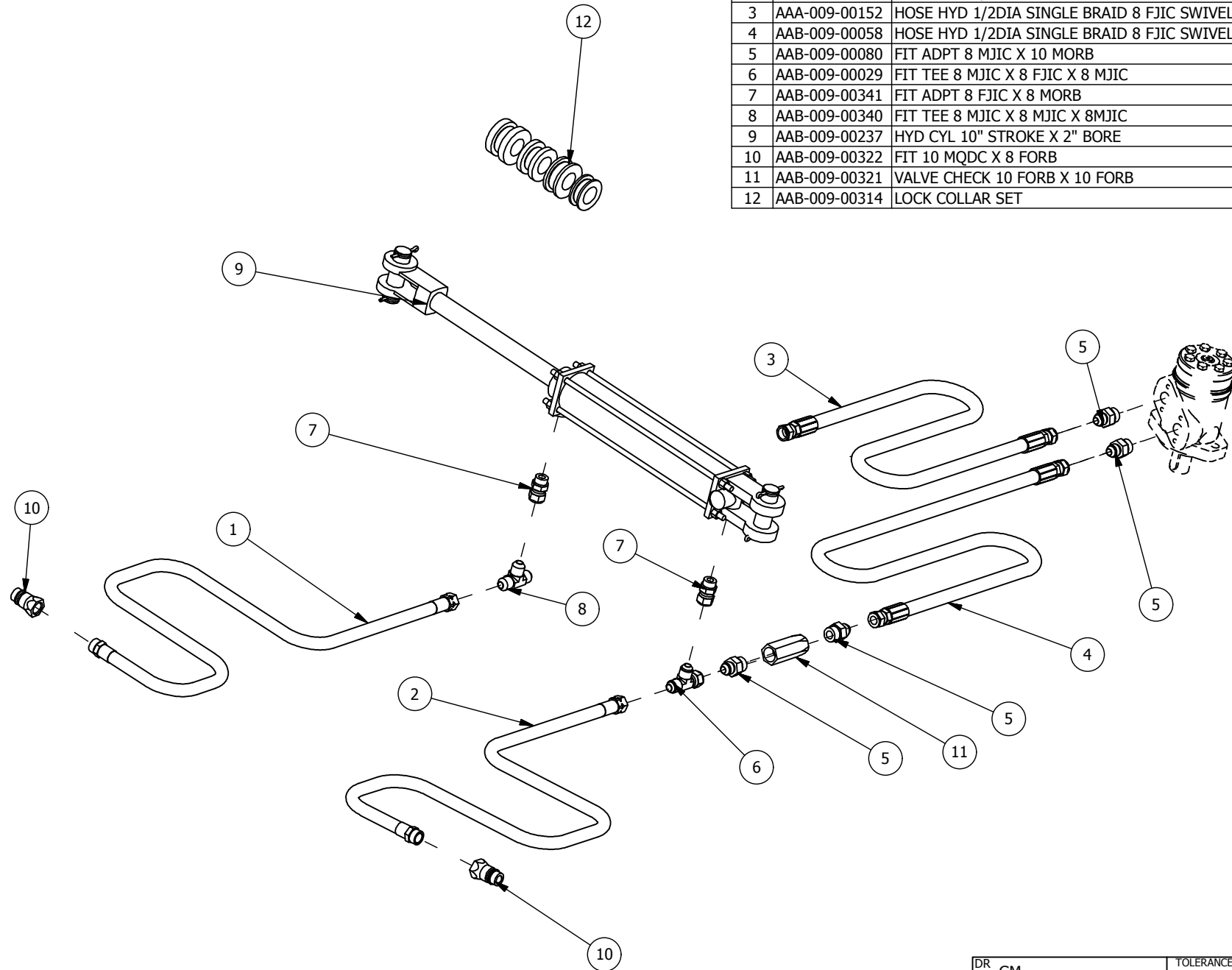
TITLE KIT HYD HOSE AND FIT FOR 6 FT 41 CNVR RTH / TOTAL MIX 3 FT WING CNVR

FILE NO AAA-009-00052.idw

CONFIDENTIAL: THESE DRAWINGS AND COPIES THEREOF REMAIN THE PROPERTY OF JAY-LOR FABRICATING INC. ANY PERSON FOUND UNLAWFULLY USING, DISTRIBUTING, OR IN POSSESSION OF THE ABOVE WILL BE PROSECUTED

Parts List

| ITEM | PART NUMBER | TITLE | QTY |
|------|---------------|--|-----|
| 1 | AAA-009-00255 | HOSE HYD 1/2DIA SINGLE BRAID 8 MORB X 8 FJIC 240L 3000PSI | 1 |
| 2 | AAA-009-00259 | HOSE HYD 1/2DIA SINGLE BRAID 8 MORB X 8 FJIC 224L 3000PSI | 1 |
| 3 | AAA-009-00152 | HOSE HYD 1/2DIA SINGLE BRAID 8 FJIC SWIVEL X 8 FJIC SWIVEL 60L | 1 |
| 4 | AAB-009-00058 | HOSE HYD 1/2DIA SINGLE BRAID 8 FJIC SWIVEL X 8 FJIC SWIVEL 63L | 1 |
| 5 | AAB-009-00080 | FIT ADPT 8 MJIC X 10 MORB | 4 |
| 6 | AAB-009-00029 | FIT TEE 8 MJIC X 8 FJIC X 8 MJIC | 1 |
| 7 | AAB-009-00341 | FIT ADPT 8 FJIC X 8 MORB | 2 |
| 8 | AAB-009-00340 | FIT TEE 8 MJIC X 8 MJIC X 8MJIC | 1 |
| 9 | AAB-009-00237 | HYD CYL 10" STROKE X 2" BORE | 1 |
| 10 | AAB-009-00322 | FIT 10 MQDC X 8 FORB | 2 |
| 11 | AAB-009-00321 | VALVE CHECK 10 FORB X 10 FORB | 1 |
| 12 | AAB-009-00314 | LOCK COLLAR SET | 1 |

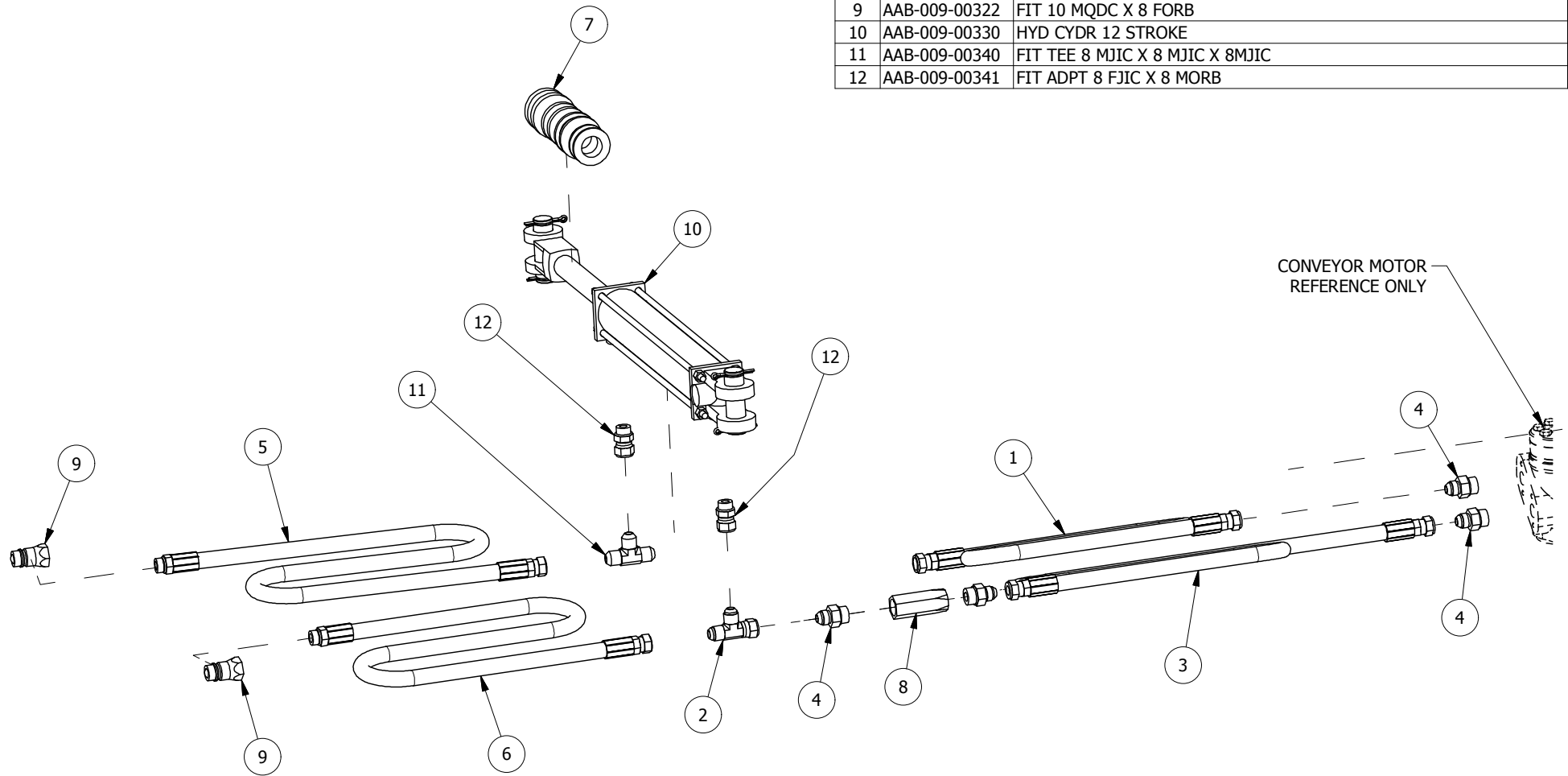


| | | | | | | | |
|-------|---------|--------------|----|------|--|---------|-------------------|
| UNITS | PAPER A | SHEET 1 OF 1 | R# | DATE | DESCRIPTION | DR | CK |
| TITLE | | | | | KIT HYD HOSE AND FIT FRT RTH 3FT CNVR (TWIN MODEL) | FILE NO | AAA-009-00144.idw |

| | | | |
|--|-----------|---|--|
| DR | GM | TOLERANCES (UNLESS SPECIFIED OTHERWISE) FRACTIONAL ± 1/16" DEC X.X ± 0.1" DEC X.XX ± 0.06" DEC X.XXX ± 0.031" ANGULAR ± 0.5° | |
| DAT | 1/19/2012 | | |
| MAT | | | |
| <small>CONFIDENTIAL: THESE DRAWINGS AND COPIES THEREOF REMAIN THE PROPERTY OF JAY-LOR FABRICATING INC. ANY PERSON FOUND UNLAWFULLY USING, DISTRIBUTING, OR IN POSSESSION OF THE ABOVE WILL BE PROSECUTED</small> | | | |

Parts List

| ITEM | PART NUMBER | TITLE | QTY |
|------|---------------|--|-----|
| 1 | AAA-009-00152 | HOSE HYD 1/2DIA SINGLE BRAID 8 FJIC SWIVEL X 8 FJIC SWIVEL 60L | 1 |
| 2 | AAB-009-00029 | FIT TEE 8 MJIC X 8 FJIC X 8 MJIC | 1 |
| 3 | AAB-009-00058 | HOSE HYD 1/2DIA SINGLE BRAID 8 FJIC SWIVEL X 8 FJIC SWIVEL 63L | 1 |
| 4 | AAB-009-00080 | FIT ADPT 8 MJIC X 10 MORB | 4 |
| 5 | AAB-009-00129 | HOSE HYD 1/2DIA SINGLE BRAID 8 FJIC SWIVEL X 8 MORB 152L | 1 |
| 6 | AAB-009-00130 | HOSE HYD 1/2DIA SINGLE BRAID 8 FJIC SWIVEL X 8 MORB 136L | 1 |
| 7 | AAB-009-00314 | LOCK COLLAR SET | 1 |
| 8 | AAB-009-00321 | VALVE CHECK 10 FORB X 10 FORB | 1 |
| 9 | AAB-009-00322 | FIT 10 MQDC X 8 FORB | 2 |
| 10 | AAB-009-00330 | HYD CYDR 12 STROKE | 1 |
| 11 | AAB-009-00340 | FIT TEE 8 MJIC X 8 MJIC X 8MJIC | 1 |
| 12 | AAB-009-00341 | FIT ADPT 8 FJIC X 8 MORB | 2 |

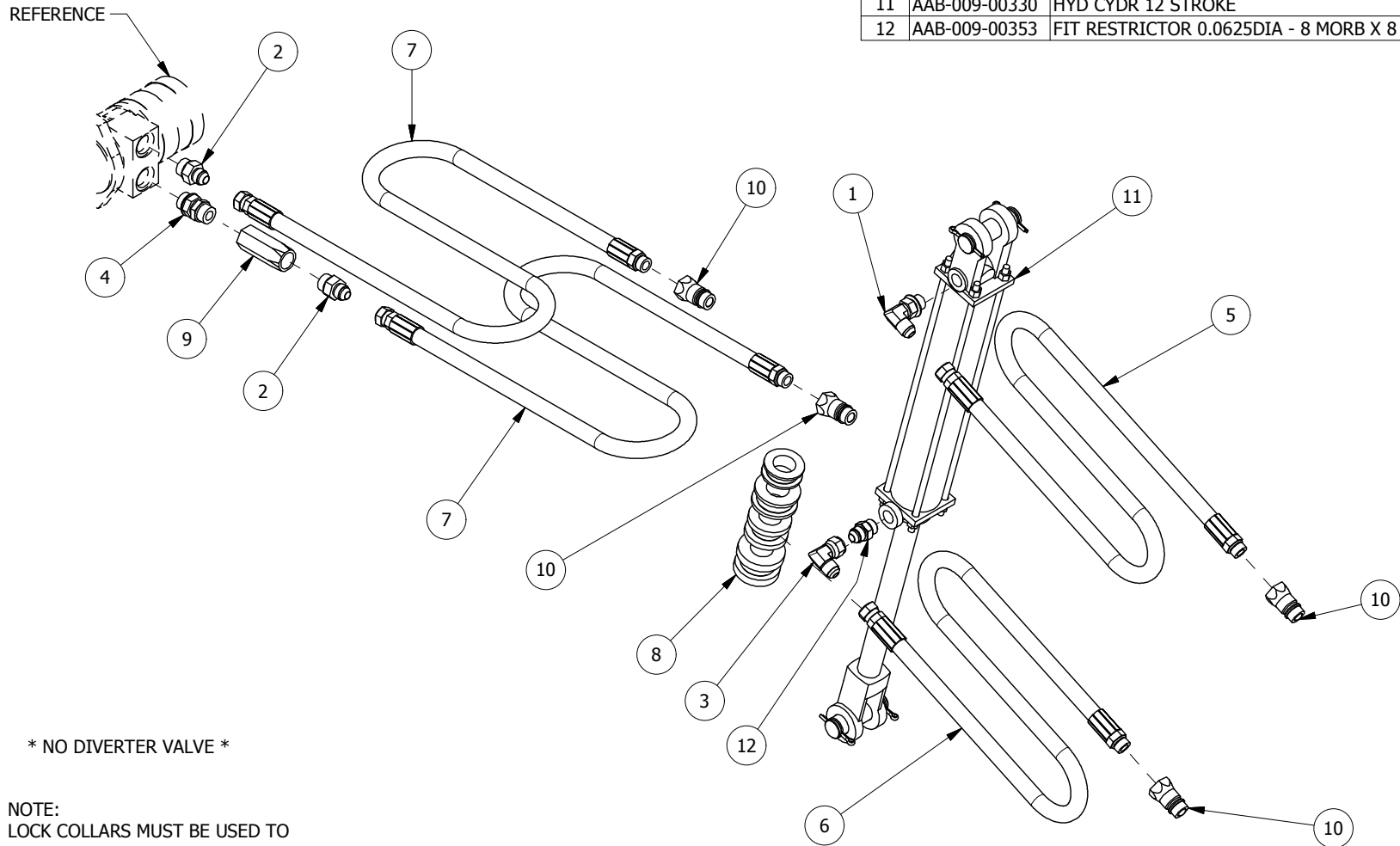


| | | | | | | | |
|---|---------|--------------|----|------|-------------|-------------------|----|
| UNITS | PAPER A | SHEET 1 OF 1 | R# | DATE | DESCRIPTION | DR | CK |
| TITLE KIT HYD HOSE AND FIT FOR 6 FT 41 CNVR LTH | | | | | FILE NO | AAA-009-00051.idw | |

| | | | |
|---|-----------|---|-----------------------------------|
| DR | LMV | TOLERANCES (UNLESS SPECIFIED OTHERWISE) FRACTIONAL ± 1/16" DEC X.X ± 0.1" DEC X.XX ± 0.06" DEC X.XXX ± 0.031" ANGULAR ± 0.5° | JAY-LOR Fabricating Inc |
| DAT | 1/19/2012 | | |
| MAT | | | |
| CONFIDENTIAL: THESE DRAWINGS AND COPIES THEREOF REMAIN THE PROPERTY OF JAY-LOR FABRICATING INC. ANY PERSON FOUND UNLAWFULLY USING, DISTRIBUTING, OR IN POSSESSION OF THE ABOVE WILL BE PROSECUTED | | | |

NOTE: IF HYD MOTOR 090-00-51 REV A USED,
 THEN FITTINGS AAB-009-00097 & AAB-009-00098
 REPLACE AAB-009-00080 & AAB-00089

| Parts List | | | |
|------------|---------------|--|-----|
| ITEM | PART NUMBER | TITLE | QTY |
| 1 | AAB-009-00076 | FIT 90DEG 8 MJIC X ADJUST 8 MORB | 1 |
| 2 | AAB-009-00080 | FIT ADPT 8 MJIC X 10 MORB | 2 |
| 3 | AAB-009-00088 | FIT 90DEG 8 MJIC X 8 FJIC SWIVEL | 1 |
| 4 | AAB-009-00089 | FIT ADPT 10 ADJUST MORB X 10 MORB | 1 |
| 5 | AAB-009-00129 | HOSE HYD 1/2DIA SINGLE BRAID 8 FJIC SWIVEL X 8 MORB 152L | 1 |
| 6 | AAB-009-00130 | HOSE HYD 1/2DIA SINGLE BRAID 8 FJIC SWIVEL X 8 MORB 136L | 1 |
| 7 | AAA-009-00266 | HOSE HYD 1/2DIA SINGLE BRAID 8 FJIC SWIVEL X 8 MORB 250L | 2 |
| 8 | AAB-009-00314 | LOCK COLLAR SET | 1 |
| 9 | AAB-009-00321 | VALVE CHECK 10 FORB X 10 FORB | 1 |
| 10 | AAB-009-00322 | FIT 10 MQDC X 8 FORB | 4 |
| 11 | AAB-009-00330 | HYD CYDR 12 STROKE | 1 |
| 12 | AAB-009-00353 | FIT RESTRICTOR 0.0625DIA - 8 MORB X 8 MJIC | 1 |



* NO DIVERTER VALVE *

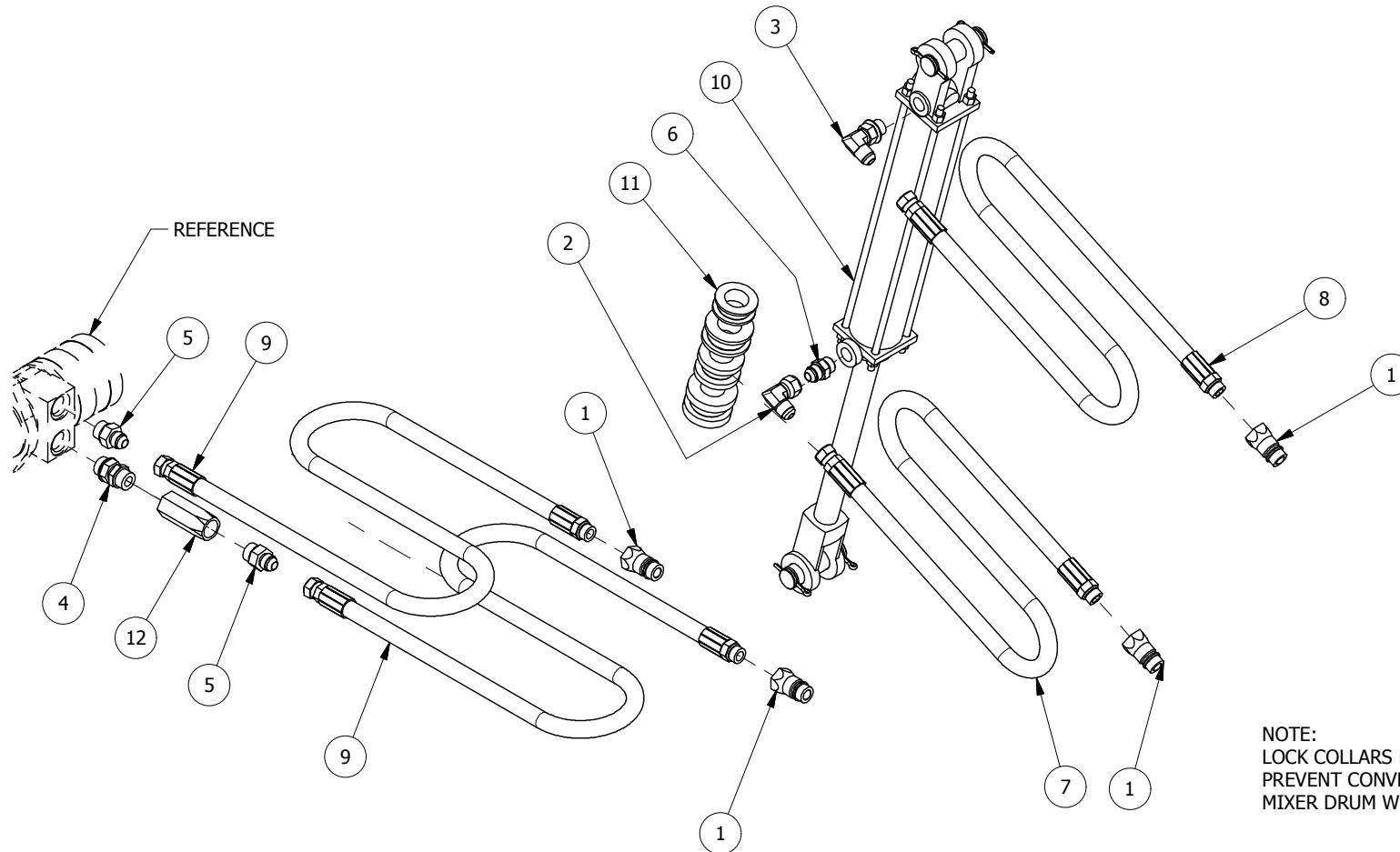
NOTE:
 LOCK COLLARS MUST BE USED TO
 PREVENT CONVEYOR WING FROM CONTACTING
 MIXER DRUM WHEN FULLY RETRACTED

| | | | | | | | |
|---|---------|--------------|----|------|-------------------|----|----|
| UNITS EACH | PAPER A | SHEET 1 OF 1 | R# | DATE | DESCRIPTION | DR | CK |
| TITLE | | | | | FILE NO | | |
| KIT HOSE AND FIT FOR 6FT CNVR WITH 6FT WING LTH DISCHARGE | | | | | AAA-009-00088.idw | | |

| | | |
|---|---|-----------------------------------|
| DR BCN | TOLERANCES (UNLESS SPECIFIED OTHERWISE) FRACTIONAL ± 1/16" DEC X.X ± 0.1" DEC X.XX ± 0.06" DEC X.XXX ± 0.031" ANGULAR ± 0.5° | JAY•LOR Fabricating Inc |
| DAT 1/19/2012 | | |
| MAT | | |
| CONFIDENTIAL: THESE DRAWINGS AND COPIES THEREOF REMAIN THE PROPERTY OF JAY-LOR FABRICATING INC. ANY PERSON FOUND UNLAWFULLY USING, DISTRIBUTING, OR IN POSSESSION OF THE ABOVE WILL BE PROSECUTED | | |

Parts List

| ITEM | PART NUMBER | TITLE | QTY |
|------|---------------|--|-----|
| 1 | AAB-009-00322 | FIT 10 MQDC X 8 FORB | 4 |
| 2 | AAB-009-00088 | FIT 90DEG 8 MJIC X 8 FJIC SWIVEL | 1 |
| 3 | AAB-009-00076 | FIT 90DEG 8 MJIC X ADJUST 8 MORB | 1 |
| 4 | AAB-009-00089 | FIT ADPT 10 ADJUST MORB X 10 MORB | 1 |
| 5 | AAB-009-00080 | FIT ADPT 8 MJIC X 10 MORB | 2 |
| 6 | AAB-009-00353 | FIT RESTRICTOR 0.0625DIA - 8 MORB X 8 MJIC | 1 |
| 7 | AAB-009-00130 | HOSE HYD 1/2DIA SINGLE BRAID 8 FJIC SWIVEL X 8 MORB 136L | 1 |
| 8 | AAB-009-00129 | HOSE HYD 1/2DIA SINGLE BRAID 8 FJIC SWIVEL X 8 MORB 152L | 1 |
| 9 | AAA-009-00267 | HOSE HYD 1/2DIA SINGLE BRAID 8 FJIC SWIVEL X 8 MORB 305L | 2 |
| 10 | AAB-009-00330 | HYD CYDR 12 STROKE | 1 |
| 11 | AAB-009-00314 | LOCK COLLAR SET | 1 |
| 12 | AAB-009-00321 | VALVE CHECK 10 FORB X 10 FORB | 1 |

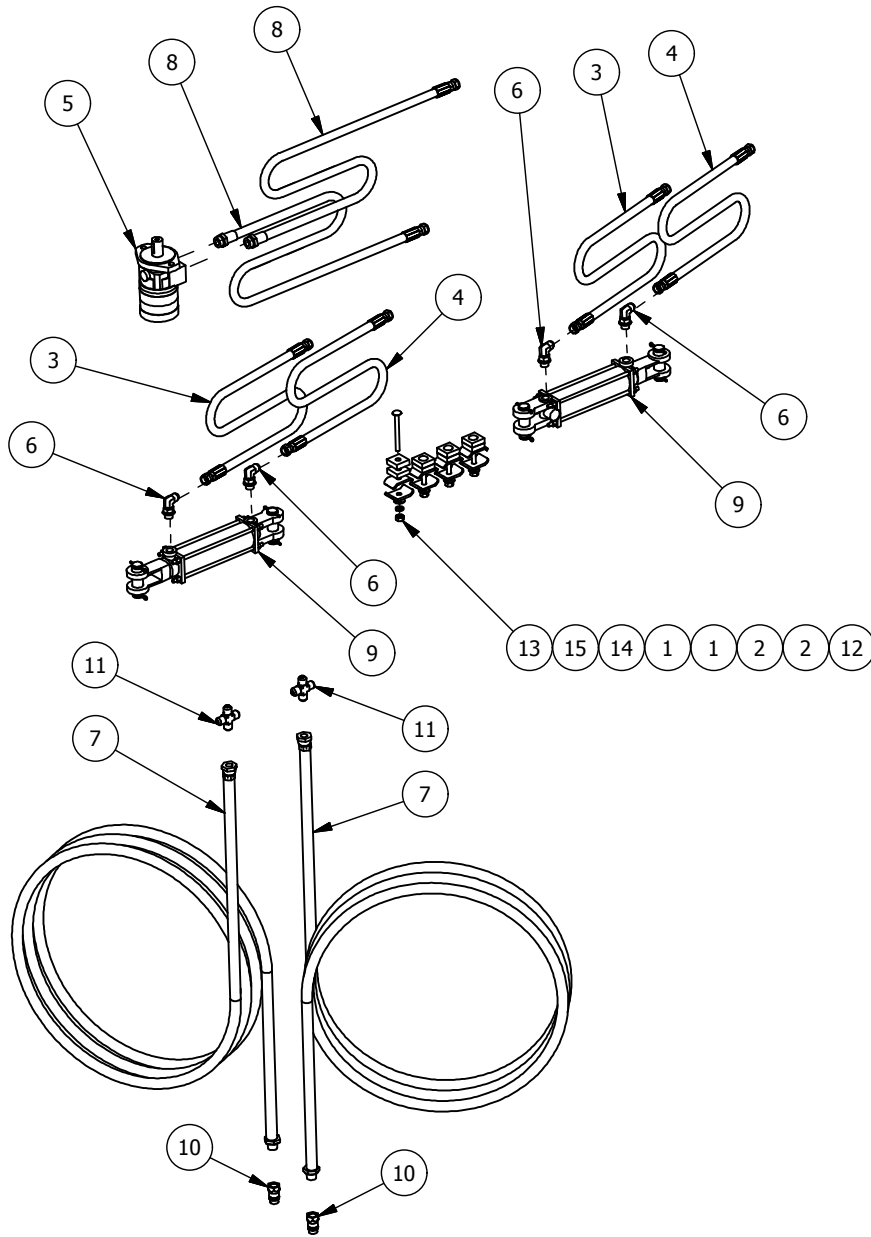


NOTE:
 LOCK COLLARS MUST BE USED TO
 PREVENT CONVEYOR WING FROM CONTACTING
 MIXER DRUM WHEN FULLY RETRACTED

| | | | |
|-----|-----------|---|-----------------------------------|
| DR | BCN | TOLERANCES (UNLESS SPECIFIED OTHERWISE) FRACTIONAL ± 1/16" DEC X.X ± 0.1" DEC X.XX ± 0.06" DEC X.XXX ± 0.031" ANGULAR ± 0.5° | JAY•LOR Fabricating Inc |
| DAT | 1/19/2012 | | |
| MAT | | | |

| | | | | | | | |
|-------|---------|--------------|----|------|---|---------|-------------------|
| UNITS | PAPER A | SHEET 1 OF 1 | R# | DATE | DESCRIPTION | DR | CK |
| TITLE | | | | | KIT HOSE AND FIT FOR 6FT CNVR WITH 6FT WING RTH DISCHARGE | FILE NO | AAA-009-00100.idw |

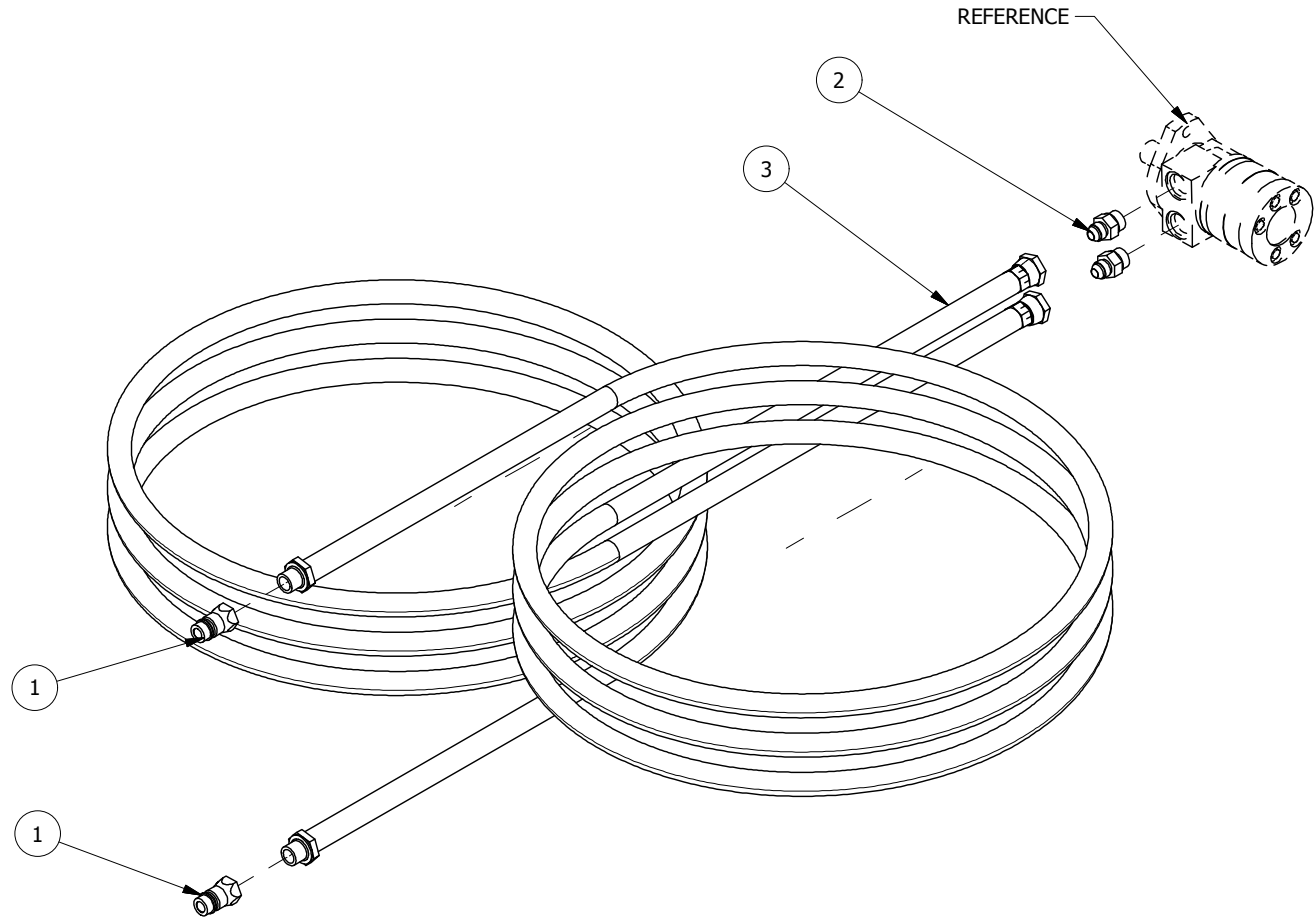
CONFIDENTIAL: THESE DRAWINGS AND COPIES THEREOF REMAIN THE PROPERTY OF JAY-LOR FABRICATING INC. ANY PERSON FOUND UNLAWFULLY USING, DISTRIBUTING, OR IN POSSESSION OF THE ABOVE WILL BE PROSECUTED



| Parts List | | | |
|------------|---------------|--|-----|
| ITEM | PART NUMBER | TITLE | QTY |
| 1 | AAA-002-00343 | HYD HOSE CLIP | 8 |
| 2 | AAA-006-00223 | PLASTIC SPCR 1/2T | 8 |
| 3 | AAA-009-00152 | HOSE HYD 1/2DIA SINGLE BRAID 8 FJIC SWIVEL X 8 FJIC SWIVEL 60L | 2 |
| 4 | AAA-009-00162 | HOSE HYD 1/2DIA SINGLE BRAID 8 FJIC SWIVEL X 8 FJIC SWIVEL 78L | 2 |
| 5 | AAB-009-00001 | HYD CNVR MOTOR 1 KEYED | 1 |
| 6 | AAB-009-00076 | FIT 90DEG 8 MJIC X ADJUST 8 MORB | 4 |
| 7 | AAB-009-00133 | HOSE HYD 1/2DIA SINGLE BRAID 8 MORB X 8 FJIC X 180L | 2 |
| 8 | AAB-009-00136 | HOSE HYD 1/2DIA SINGLE BRAID 8 FJIC SWIVEL X 10 MORB 117L | 2 |
| 9 | AAB-009-00230 | HYD CYDR 6IN STROKE X 2IN BORE | 2 |
| 10 | AAB-009-00322 | FIT 10 MQDC X 8 FORB | 2 |
| 11 | AAB-009-00326 | FIT CROSS 8 MJIC X 8 MJIC X 8 MJIC X 8 MJIC | 2 |
| 12 | AAB-015-10062 | BOLT CARRIAGE 3/8 X 4 UNC GRD 2 | 4 |
| 13 | AAB-015-20017 | NUT HEX 3/8 UNC GRD 2 | 4 |
| 14 | AAB-015-30012 | WSHR FLAT 3/8 USS | 4 |
| 15 | AAB-015-30017 | WSHR LOCK 3/8 | 4 |

| | | | | | | | | | | | | | | | |
|-------|--|--|--|--|--------------------------------------|--------------|---------|-------------------|------|---|----|----|--------|---|--|
| UNITS | | | | | PAPER A | SHEET 1 OF 1 | | R# | DATE | DESCRIPTION | DR | CK | DR LMV | TOLERANCES (UNLESS SPECIFIED OTHERWISE) FRACTIONAL ± 1/16" DEC X.X ± 0.1" DEC X.XX ± 0.06" DEC X.XXX ± 0.031" ANGULAR ± 0.5° | |
| TITLE | | | | | KIT FIT AND HOSE DUAL CNVR DROP BOOT | | FILE NO | AAA-009-00161.idw | | CONFIDENTIAL: THESE DRAWINGS AND COPIES THEREOF REMAIN THE PROPERTY OF JAY-LOR FABRICATING INC. ANY PERSON FOUND UNLAWFULLY USING, DISTRIBUTING, OR IN POSSESSION OF THE ABOVE WILL BE PROSECUTED | | | | | |
| | | | | | | | | | | | | | | | |

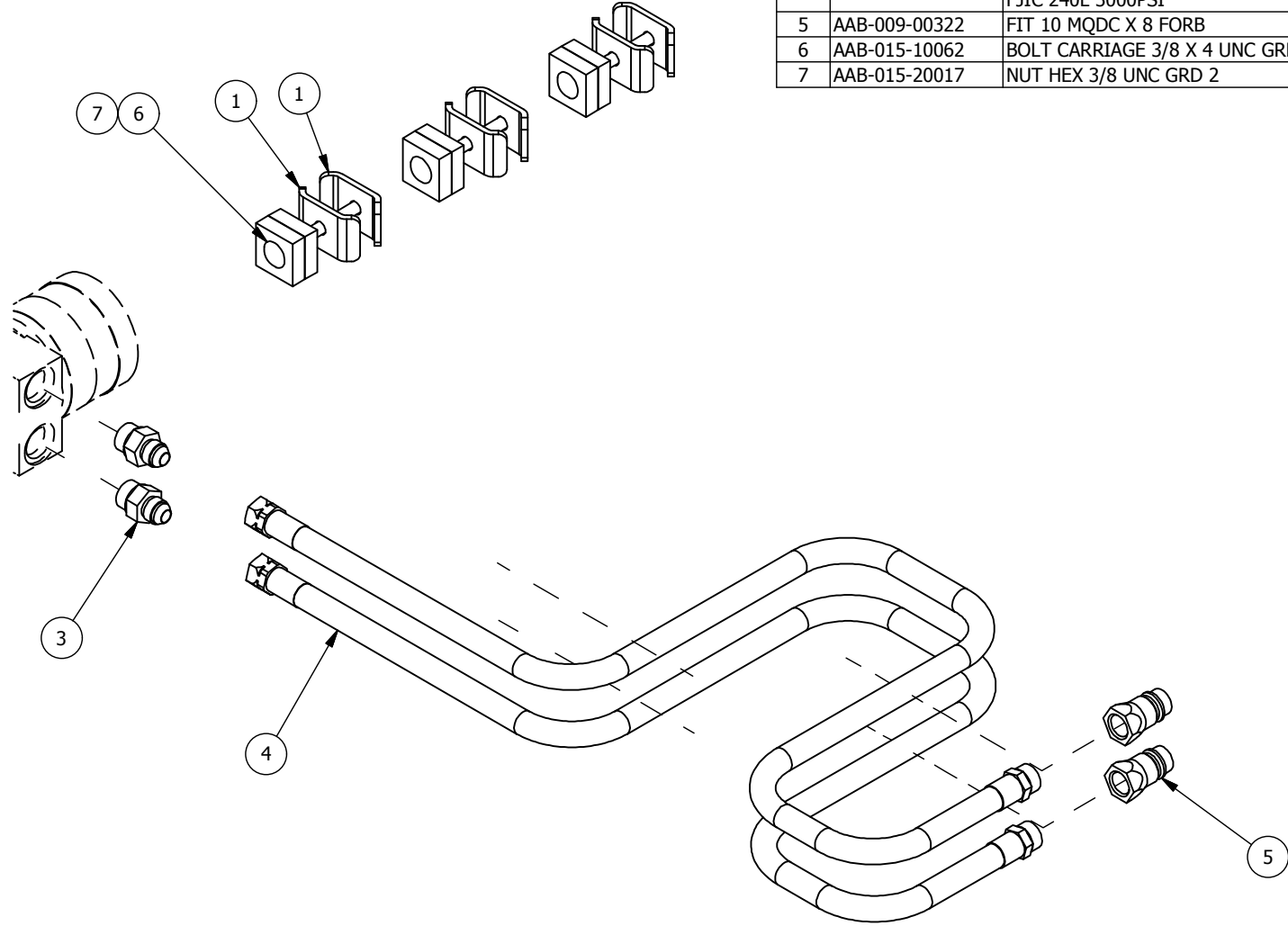
| Parts List | | | |
|------------|---------------|---|-----|
| ITEM | PART NUMBER | TITLE | QTY |
| 1 | AAB-009-00322 | FIT 10 MQDC X 8 FORB | 2 |
| 2 | AAB-009-00080 | FIT ADPT 8 MJIC X 10 MORB | 2 |
| 3 | AAB-009-00133 | HOSE HYD 1/2DIA SINGLE BRAID 8 MORB X 8 FJIC X 180L | 2 |



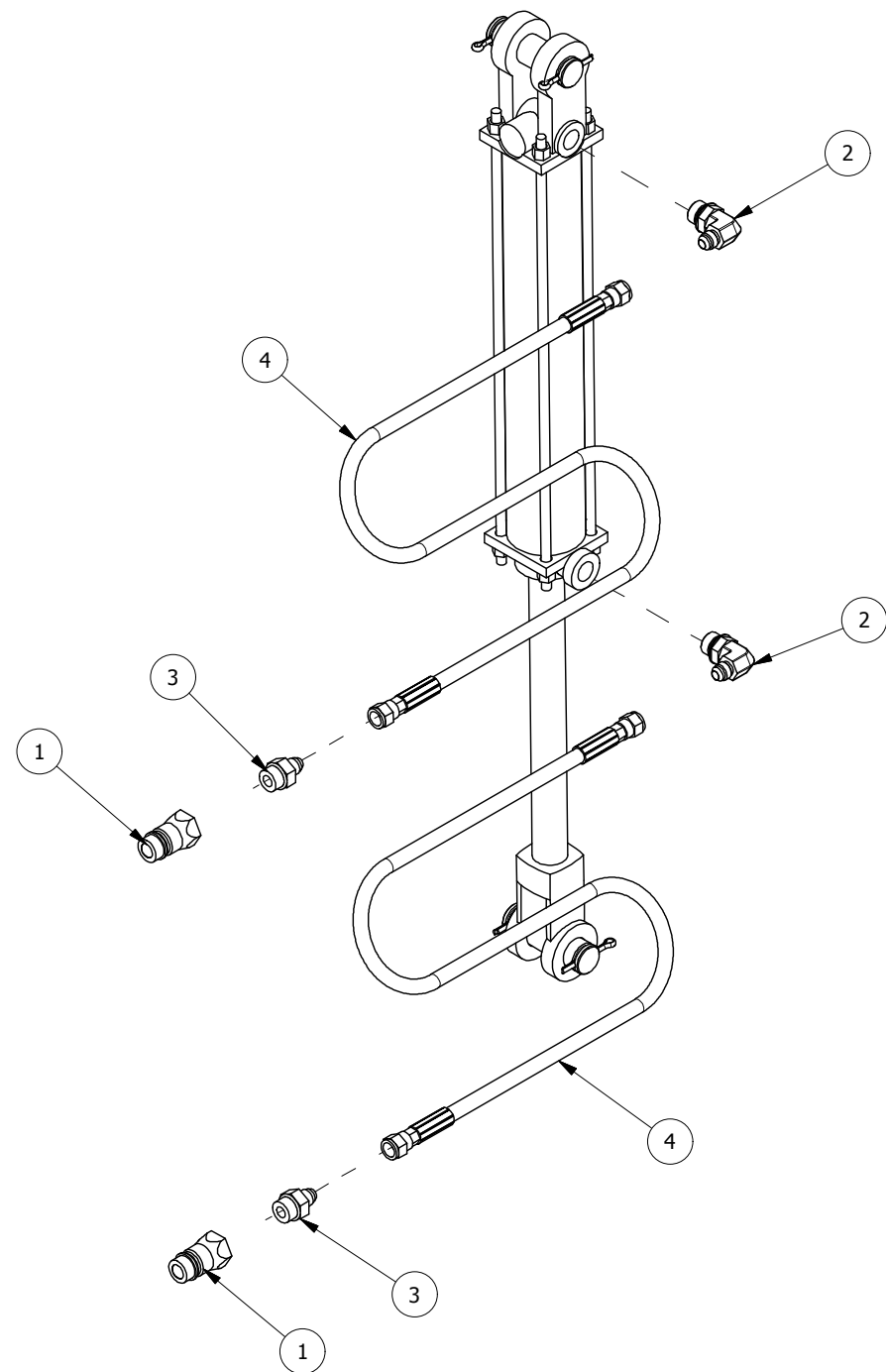
| | | | | | | | |
|-------|---------|--------------|----|------|-------------|----|----|
| UNITS | PAPER A | SHEET 1 OF 1 | R# | DATE | DESCRIPTION | DR | CK |
| TITLE | | | | | FILE NO | | |

| | | | |
|--|-----------|---|-----------------------------------|
| DR | LMV | TOLERANCES (UNLESS SPECIFIED OTHERWISE) FRACTIONAL ± 1/16" DEC X.X ± 0.1" DEC X.XX ± 0.06" DEC X.XXX ± 0.031" ANGULAR ± 0.5° | JAY•LOR Fabricating Inc |
| DAT | 1/19/2012 | | |
| MAT | | | |
| <small>CONFIDENTIAL: THESE DRAWINGS AND COPIES THEREOF REMAIN THE PROPERTY OF JAY-LOR FABRICATING INC. ANY PERSON FOUND UNLAWFULLY USING, DISTRIBUTING, OR IN POSSESSION OF THE ABOVE WILL BE PROSECUTED</small> | | | |

| Parts List | | | |
|------------|---------------|---|-----|
| ITEM | PART NUMBER | TITLE | QTY |
| 1 | AAA-002-00343 | HYD HOSE CLIP | 6 |
| 2 | AAA-006-00223 | PLASTIC SPCR 1/2T | 6 |
| 3 | AAB-009-00080 | FIT ADPT 8 MJIC X 10 MORB | 2 |
| 4 | AAA-009-00255 | HOSE HYD 1/2DIA SINGLE BRAID 8 MORB X 8 FJIC 240L 3000PSI | 2 |
| 5 | AAB-009-00322 | FIT 10 MQDC X 8 FORB | 2 |
| 6 | AAB-015-10062 | BOLT CARRIAGE 3/8 X 4 UNC GRD 2 | 3 |
| 7 | AAB-015-20017 | NUT HEX 3/8 UNC GRD 2 | 3 |



| | | | | | | | | | | |
|-------|---|--------------|----|------|-------------|---------|-------------------|-----------|---|------------------------------------|
| UNITS | PAPER A | SHEET 1 OF 1 | R# | DATE | DESCRIPTION | DR | CK | DR LMV | TOLERANCES (UNLESS SPECIFIED OTHERWISE) | JAY•LOR® Fabricating Inc |
| TITLE | KIT HYD HOSE AND FIT DUAL FLAT CNVR WITH LTH SIDE BLOCK OFF | | | | | FILE NO | AAA-009-00163.idw | 1/19/2012 | FRACTIONAL ± 1/16" DEC X.X ± 0.1" DEC X.XX ± 0.06" DEC X.XXX ± 0.031" ANGULAR ± 0.5° | |
| | | | | | | | | MAT | CONFIDENTIAL: THESE DRAWINGS AND COPIES THEREOF REMAIN THE PROPERTY OF JAY-LOR FABRICATING INC. ANY PERSON FOUND UNLAWFULLY USING, DISTRIBUTING, OR IN POSSESSION OF THE ABOVE WILL BE PROSECUTED | |

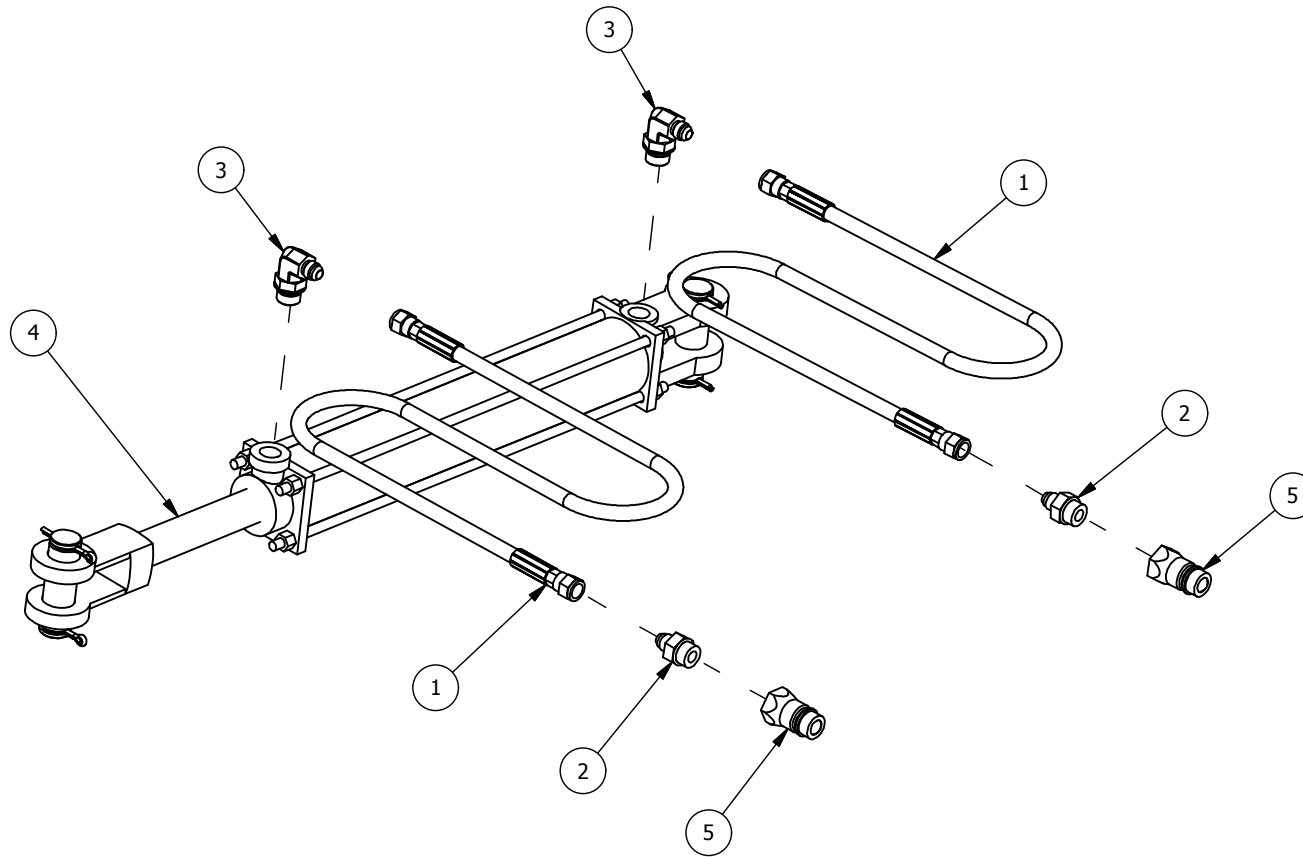


| Parts List | | | |
|------------|---------------|---|-----|
| ITEM | PART NUMBER | TITLE | QTY |
| 1 | AAB-009-00322 | FIT 10 MQDC X 8 FORB | 2 |
| 2 | AAB-009-00352 | FIT 90DEG 6 MJIC X 8 MORB ADJ | 2 |
| 3 | AAB-009-00074 | FIT ADPT 6 MJIC X 8 MORB | 2 |
| 4 | AAB-009-00144 | HOSE HYD 1/4DIA SINGLE BRAID 6 FJIC SWIVEL X 6 FJIC SWIVEL 150L | 2 |
| 5 | AAB-009-00330 | CYDR HYD 12L ASSY WITH PINS | 1 |
| 6 | AAB-009-00330 | HYD CYDR 12 STROKE | 1 |

| | | | | | | | |
|---|---------|--------------|----|------|-------------|-------------------|----|
| UNITS | PAPER A | SHEET 1 OF 1 | R# | DATE | DESCRIPTION | DR | CK |
| TITLE KIT HYD HOSE AND FIT FOR FRT DOOR | | | | | FILE NO | AAA-009-00050.idw | |

| | | |
|--|---|---|
| DR LV | TOLERANCES (UNLESS SPECIFIED OTHERWISE) FRACTIONAL ± 1/16" DEC X.X ± 0.1" DEC X.XX ± 0.06" DEC X.XXX ± 0.031" ANGULAR ± 0.5° | JAY•LOR® <i>Fabricating Inc</i> |
| DAT 1/19/2012 | | |
| MAT | | |
| <small>CONFIDENTIAL: THESE DRAWINGS AND COPIES THEREOF REMAIN THE PROPERTY OF JAY-LOR FABRICATING INC. ANY PERSON FOUND UNLAWFULLY USING, DISTRIBUTING, OR IN POSSESSION OF THE ABOVE WILL BE PROSECUTED</small> | | |

| Parts List | | | |
|------------|---------------|---|-----|
| ITEM | PART NUMBER | TITLE | QTY |
| 1 | AAA-009-00258 | HOSE HYD 1/4DIA SINGLE BRAID 6 FJIC SWIVEL X 6 FJIC SWIVEL 324L | 2 |
| 2 | AAB-009-00074 | FIT ADPT 6 MJIC X 8 MORB | 2 |
| 3 | AAB-009-00352 | FIT 90DEG 6 MJIC X 8 MORB ADJ | 2 |
| 4 | AAB-009-00330 | HYD CYDR 12 STROKE | 1 |
| 5 | AAB-009-00322 | FIT 10 MQDC X 8 FORB | 2 |



| | | | |
|-----|-----------|---|-----------------------------------|
| DR | LMV | TOLERANCES (UNLESS SPECIFIED OTHERWISE) FRACTIONAL ± 1/16" DEC X.X ± 0.1" DEC X.XX ± 0.06" DEC X.XXX ± 0.031" ANGULAR ± 0.5° | JAY•LOR Fabricating Inc |
| DAT | 1/19/2012 | | |
| MAT | | | |

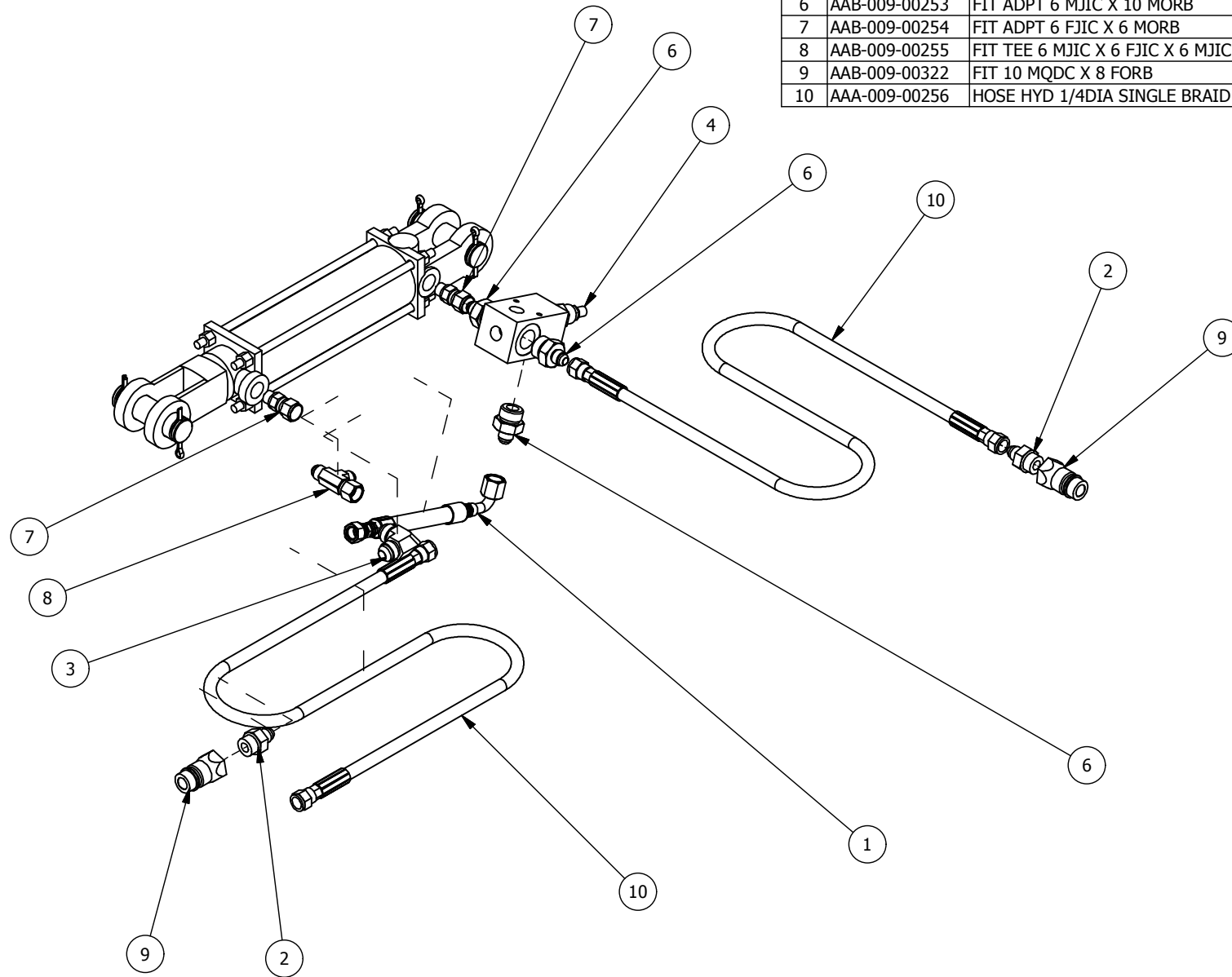
| | | | | | | | |
|-------|---------|--------------|----|------|-------------|----|----|
| UNITS | PAPER A | SHEET 1 OF 1 | R# | DATE | DESCRIPTION | DR | CK |
|-------|---------|--------------|----|------|-------------|----|----|

TITLE KIT HYD HOSE AND FIT TWIN FRT RIGHT DOOR FILE NO AAA-009-00143.idw

CONFIDENTIAL: THESE DRAWINGS AND COPIES THEREOF REMAIN THE PROPERTY OF JAY-LOR FABRICATING INC. ANY PERSON FOUND UNLAWFULLY USING, DISTRIBUTING, OR IN POSSESSION OF THE ABOVE WILL BE PROSECUTED

Parts List

| ITEM | PART NUMBER | TITLE | QTY |
|------|---------------|---|-----|
| 1 | AAA-009-00148 | HOSE HYD 1/4DIA SINGLE BRAID 6 FJIC X 90DEG 6 FJIC 7L 3000PSI | 1 |
| 2 | AAB-009-00074 | FIT ADPT 6 MJIC X 8 MORB | 2 |
| 3 | AAB-009-00086 | FIT 90DEG 6 MJIC X 6 MJIC | 1 |
| 4 | AAB-009-00110 | VALVE PRESSURE RELIEF | 1 |
| 5 | AAB-009-00230 | HYD CYDR 6IN STROKE X 2IN BORE | 1 |
| 6 | AAB-009-00253 | FIT ADPT 6 MJIC X 10 MORB | 3 |
| 7 | AAB-009-00254 | FIT ADPT 6 FJIC X 6 MORB | 2 |
| 8 | AAB-009-00255 | FIT TEE 6 MJIC X 6 FJIC X 6 MJIC | 1 |
| 9 | AAB-009-00322 | FIT 10 MQDC X 8 FORB | 2 |
| 10 | AAA-009-00256 | HOSE HYD 1/4DIA SINGLE BRAID 6 FJIC SWIVEL X 6 FJIC SWIVEL 230L | 2 |

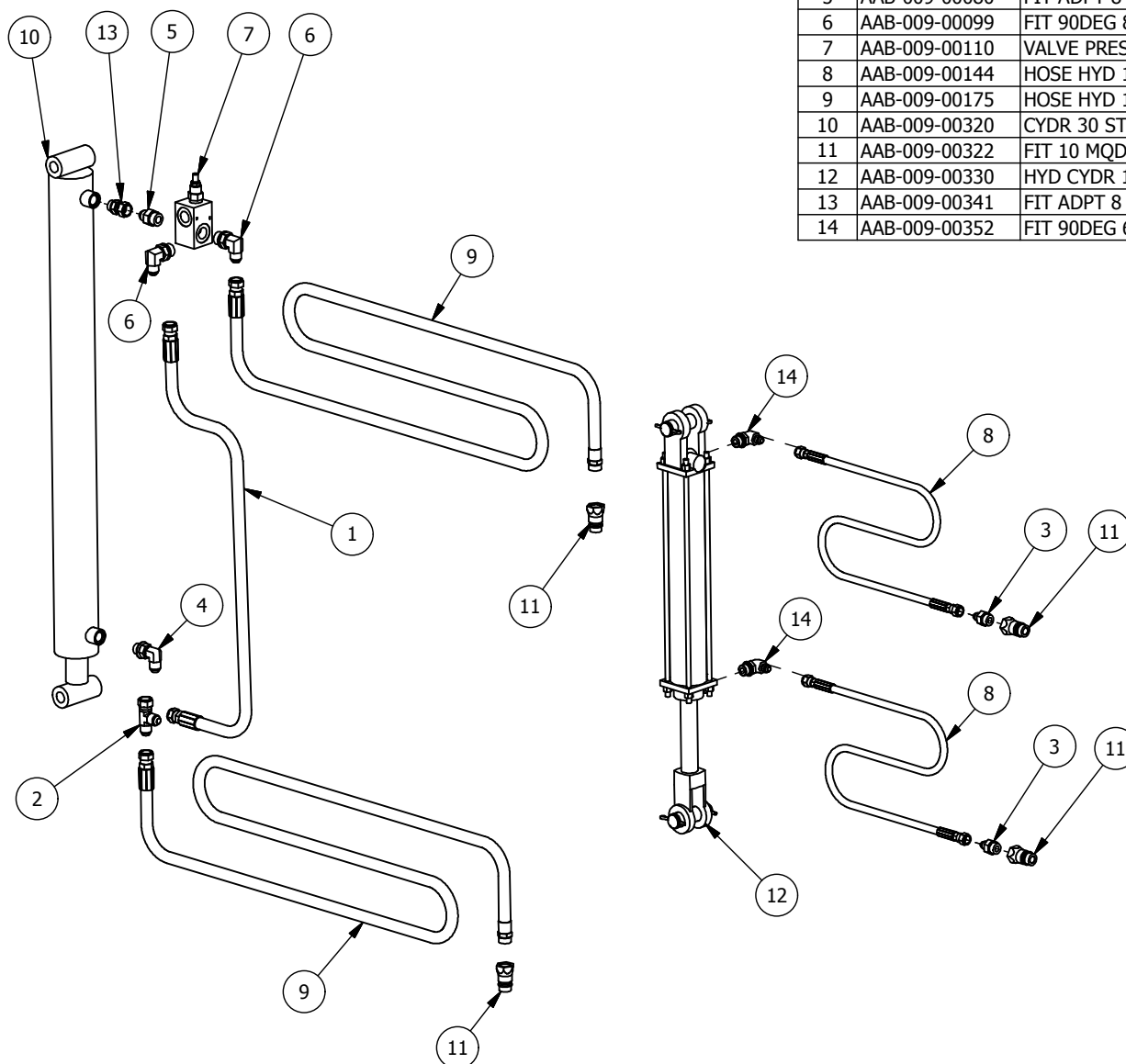


| | | | |
|-----|-----------|---|-----------------------------------|
| DR | GM | TOLERANCES (UNLESS SPECIFIED OTHERWISE) FRACTIONAL ± 1/16" DEC X.X ± 0.1" DEC X.XX ± 0.06" DEC X.XXX ± 0.031" ANGULAR ± 0.5° | JAY-LOR Fabricating Inc |
| DAT | 1/19/2012 | | |
| MAT | | | |

| | | | | | | | |
|-------|---------|--------------|----|------|-------------|----|----|
| UNITS | PAPER A | SHEET 1 OF 1 | R# | DATE | DESCRIPTION | DR | CK |
|-------|---------|--------------|----|------|-------------|----|----|

TITLE KIT HYD TWIN FRT RTH DROP FLR FILE NO AAA-009-00159.idw

CONFIDENTIAL: THESE DRAWINGS AND COPIES THEREOF REMAIN THE PROPERTY OF JAY-LOR FABRICATING INC. ANY PERSON FOUND UNLAWFULLY USING, DISTRIBUTING, OR IN POSSESSION OF THE ABOVE WILL BE PROSECUTED



| Parts List | | | |
|------------|---------------|---|-----|
| ITEM | PART NUMBER | TITLE | QTY |
| 1 | AAA-009-00151 | HOSE HYD 1/2DIA SINGLE BRAID 8 FJIC X 8 FJIC 27L 3000PSI | 1 |
| 2 | AAB-009-00029 | FIT TEE 8 MJIC X 8 FJIC X 8 MJIC | 1 |
| 3 | AAB-009-00074 | FIT ADPT 6 MJIC X 8 MORB | 2 |
| 4 | AAB-009-00076 | FIT 90DEG 8 MJIC X ADJUST 8 MORB | 1 |
| 5 | AAB-009-00080 | FIT ADPT 8 MJIC X 10 MORB | 1 |
| 6 | AAB-009-00099 | FIT 90DEG 8 MJIC X 10 MORB ADJ | 2 |
| 7 | AAB-009-00110 | VALVE PRESSURE RELIEF | 1 |
| 8 | AAB-009-00144 | HOSE HYD 1/4DIA SINGLE BRAID 6 FJIC SWIVEL X 6 FJIC SWIVEL 150L | 2 |
| 9 | AAB-009-00175 | HOSE HYD 1/2DIA SINGLE BRAID 8 FJIC X 8 MORB 540L 3000PSI | 2 |
| 10 | AAB-009-00320 | CYDR 30 STROKE (66 PIN TO PIN) | 1 |
| 11 | AAB-009-00322 | FIT 10 MQDC X 8 FORB | 4 |
| 12 | AAB-009-00330 | HYD CYDR 12 STROKE | 1 |
| 13 | AAB-009-00341 | FIT ADPT 8 FJIC X 8 MORB | 1 |
| 14 | AAB-009-00352 | FIT 90DEG 6 MJIC X 8 MORB ADJ | 2 |

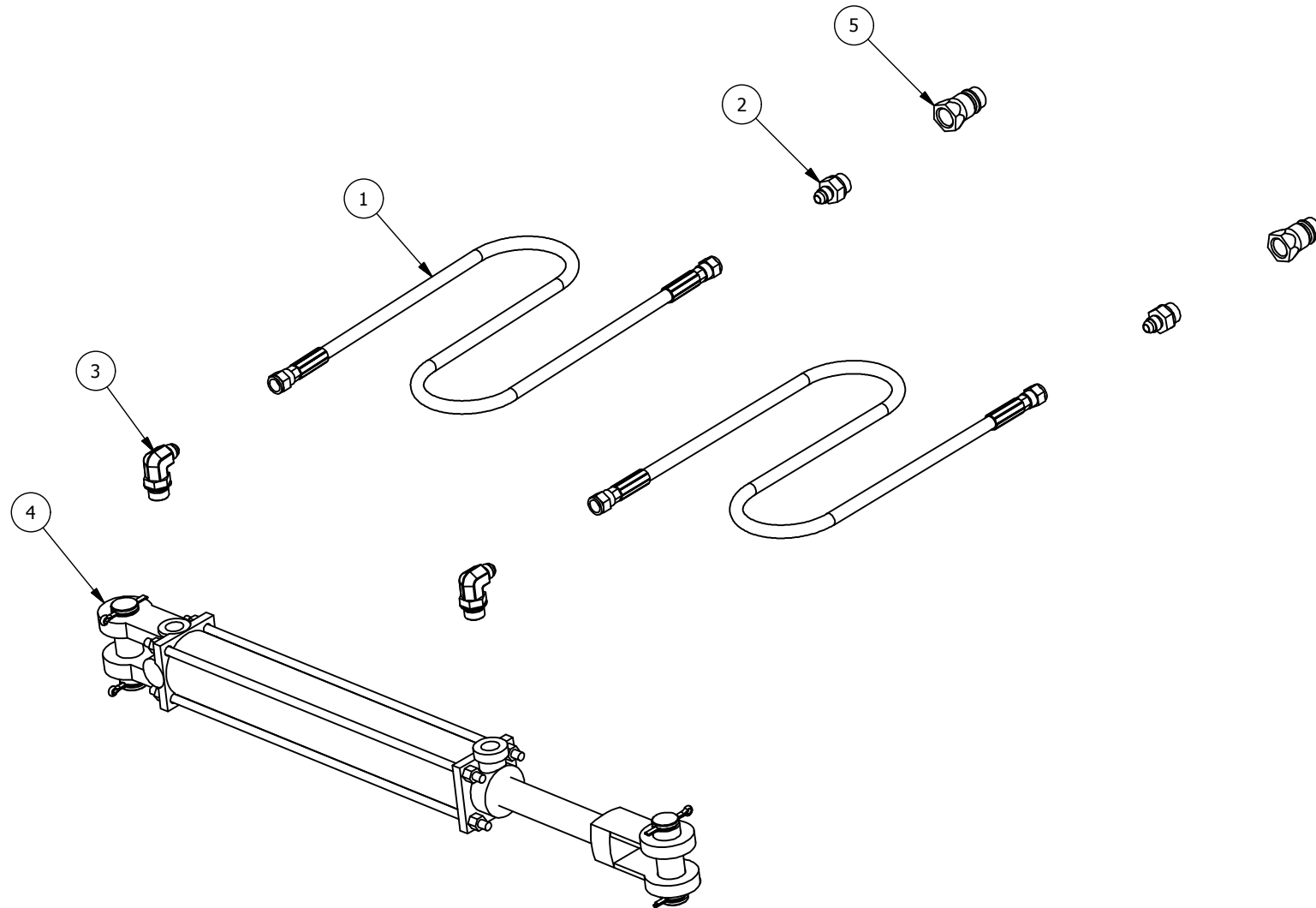
NOTE:

BESIDES REGULAR TWIN MODELS
THIS HOSE KIT IS APPLICABLE TO ALL
FRT AND REAR DOOR HD MODELS AS WELL

| | | | | | | | | | | | | |
|-------|--|--------------------------------------|--------------|---------|-------------------|------|-------------|-----------|---|---|--|--|
| UNITS | | PAPER A | SHEET 1 OF 1 | | R# | DATE | DESCRIPTION | DR | GM | TOLERANCES (UNLESS SPECIFIED OTHERWISE) | | |
| TITLE | | KIT HOSE AND FIT FOR TWINS REAR DOOR | | FILE NO | AAA-009-00122.idw | | LMV | 1/19/2012 | FRACTIONAL ± 1/16" DEC X.X ± 0.1" DEC X.XX ± 0.06" DEC X.XXX ± 0.031" ANGULAR ± 0.5° | | | |
| | | | | | | | DR | CK | CONFIDENTIAL: THESE DRAWINGS AND COPIES THEREOF REMAIN THE PROPERTY OF JAY-LOR FABRICATING INC. ANY PERSON FOUND UNLAWFULLY USING, DISTRIBUTING, OR IN POSSESSION OF THE ABOVE WILL BE PROSECUTED | | | |

Parts List

| ITEM | PART NUMBER | TITLE | QTY |
|------|---------------|---|-----|
| 1 | AAA-009-00257 | HOSE HYD 1/4DIA SINGLE BRAID 6 FJIC SWIVEL X 6 FJIC SWIVEL 540L | 2 |
| 2 | AAB-009-00074 | FIT ADPT 6 MJIC X 8 MORB | 2 |
| 3 | AAB-009-00352 | FIT 90DEG 6 MJIC X 8 MORB ADJ | 2 |
| 4 | AAB-009-00330 | HYD CYDR 12 STROKE | 1 |
| 5 | AAB-009-00322 | FIT 10 MQDC X 8 FORB | 2 |



DR LMV
 DAT 1/19/2012
 MAT

TOLERANCES (UNLESS SPECIFIED OTHERWISE)
 FRACTIONAL ± 1/16"
 DEC X.X ± 0.1"
 DEC X.XX ± 0.06"
 DEC X.XXX ± 0.031"
 ANGULAR ± 0.5°

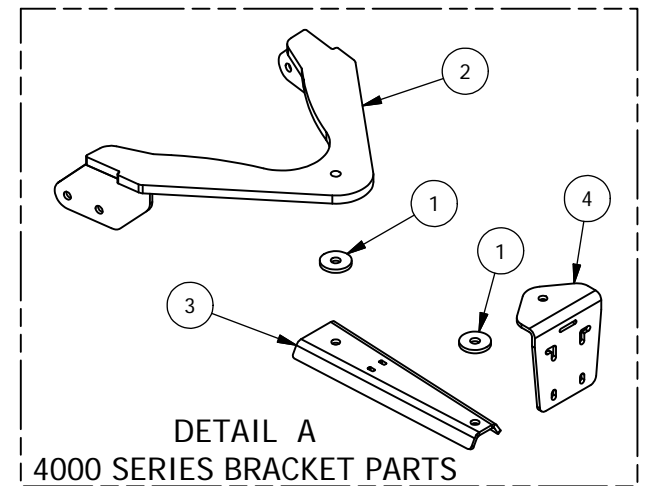
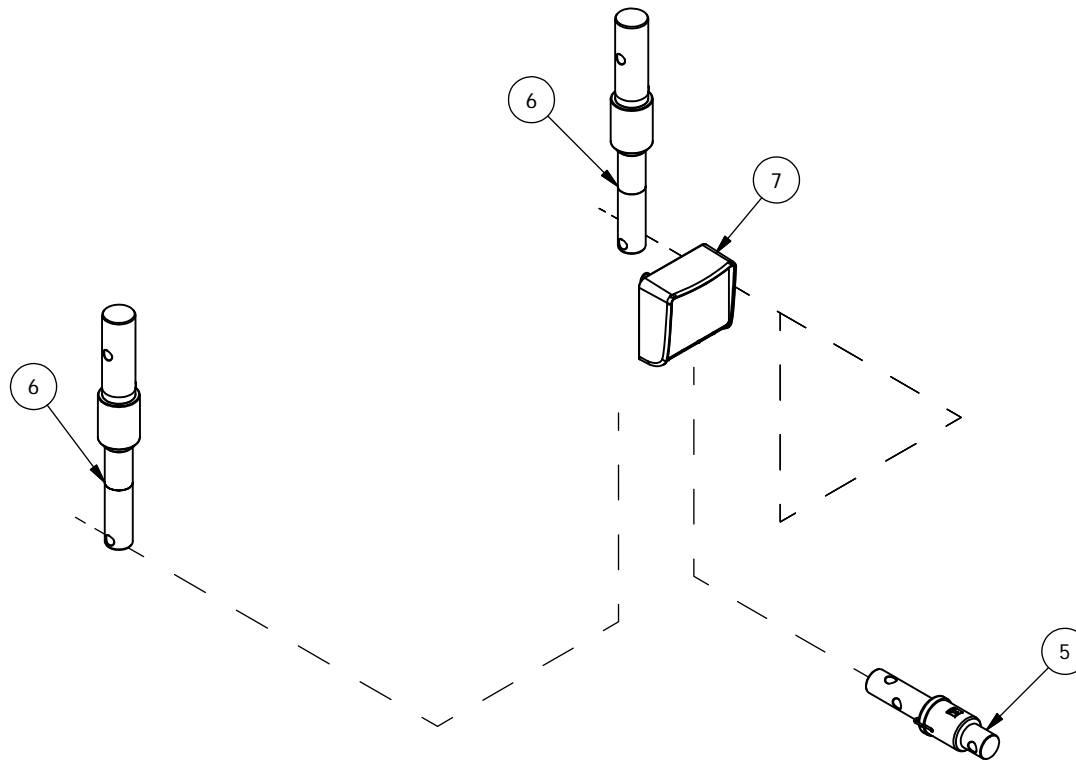
JAY•LOR
 Fabricating Inc

O. 010 – SCALE / LIGHTING PARTS**Drawing Number Reference Chart:**

| Part | Model | | | |
|--|---------------|------|---------------|------|
| | 4650 | 4750 | 4850 | 4990 |
| Scale System | AAA-054-00020 | | AAA-054-00010 | |
| Light Bar Kit with 4-Bar Harness | AAA-010-00016 | | | |
| Light Bar Kit with 4-Bar Harness & 7-pin Adptr | AAA-010-00015 | | | |

Parts List

| ITEM | PART NUMBER | TITLE | QTY |
|------|---------------|------------------------------|-----|
| 1 | AAA-000-00059 | WSHR URETHANE 2DIA | 2 |
| 2 | AAA-002-00128 | SCALE HEAD MNT WELDMNT | 1 |
| 3 | AAA-010-00047 | SCALE HEAD SWING ARM 1/4T | 1 |
| 4 | AAA-010-00048 | SCALE HEAD MNT BRKT 1/4T | 1 |
| 5 | AAB-010-00194 | DG WB 2-1/2DIA X 15-1/4L | 1 |
| 6 | AAB-010-00195 | WB 2-5/8DIA 3-1/8DIA 26-1/4L | 2 |
| 7 | AAB-010-00197 | DG INDICTR - STAD 04 | 1 |



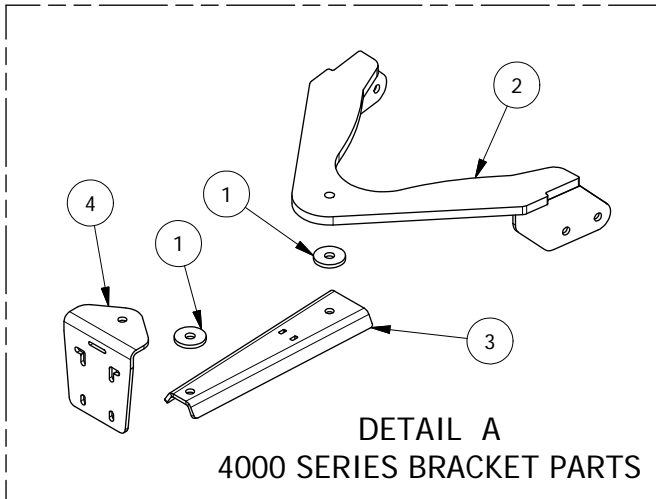
| | | | |
|-----|-----------|---|-----------------------------------|
| DR | LMV | TOLERANCES (UNLESS SPECIFIED OTHERWISE) FRACTIONAL ± 1/16" DEC X.X ± 0.1" DEC X.XX ± 0.06" DEC X.XXX ± 0.031" ANGULAR ± 0.5° | JAY-LOR Fabricating Inc |
| DAT | 3/19/2009 | | |
| MAT | | | |

| | | | | | | | |
|-------|---------|--------------|----|------|-------------|----|----|
| UNITS | PAPER A | SHEET 1 OF 1 | R# | DATE | DESCRIPTION | DR | CK |
|-------|---------|--------------|----|------|-------------|----|----|

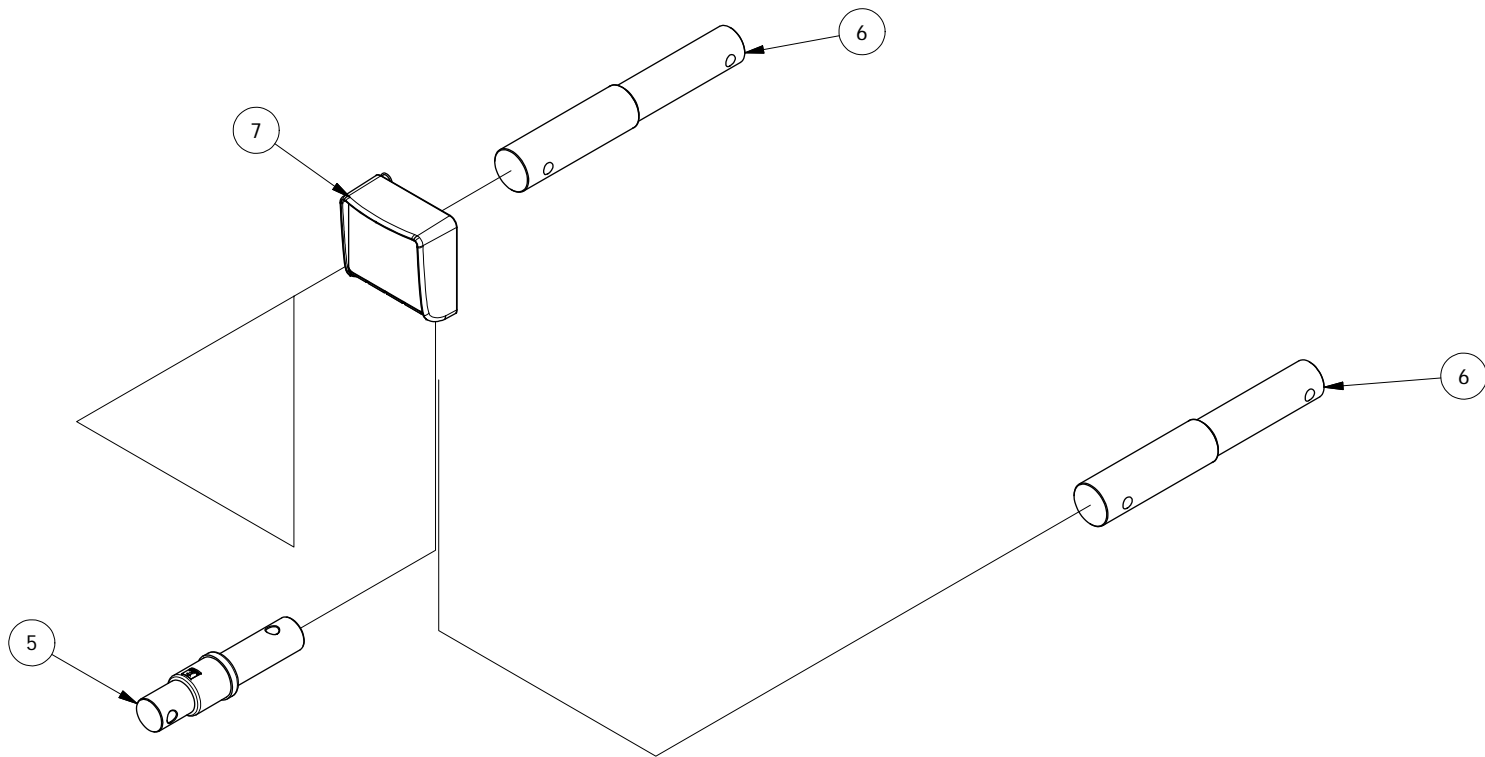
TITLE 4000 SERIES SCALE SYSTEM (4650, 4750)

FILE NO AAA-054-00020.idw

CONFIDENTIAL - THESE DRAWINGS AND COPIES THEREOF REMAIN THE PROPERTY OF JAY-LOR FABRICATING INC. ANY PERSON FOUND UNLAWFULLY USING, DISTRIBUTING, OR IN POSSESSION OF THE ABOVE WILL BE PROSECUTED



| Parts List | | | |
|------------|---------------|--|-----|
| ITEM | PART NUMBER | TITLE | QTY |
| 1 | AAA-000-00059 | WSHR URETHANE 2DIA | 2 |
| 2 | AAA-002-00128 | SCALE HEAD MNT WELDMNT | 1 |
| 3 | AAA-010-00047 | SCALE HEAD SWING ARM 1/4T | 1 |
| 4 | AAA-010-00048 | SCALE HEAD MNT BRKT 1/4T | 1 |
| 5 | AAB-010-00191 | DG WB 2-7/8DIA X 15-3/4L | 1 |
| 6 | AAB-010-00192 | DG WB 3-1/4DIA X 3-73/100DIA X 24-1/4L | 2 |
| 7 | AAB-010-00197 | DG INDICTR - STAD 04 | 1 |

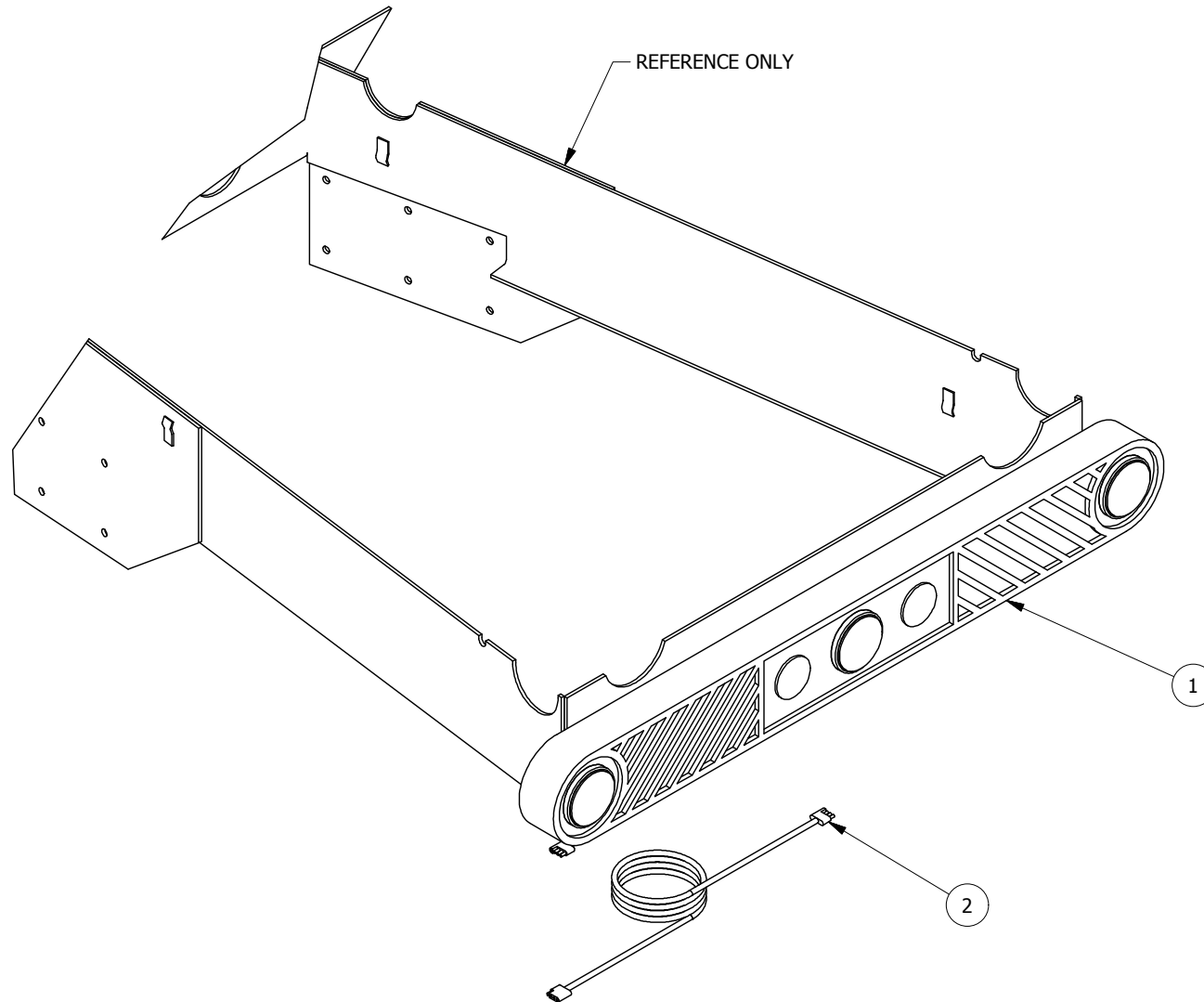


| | | | | | | | |
|---|---------|--------------|----|------|-------------|-------------------|----|
| UNITS | PAPER A | SHEET 1 OF 1 | R# | DATE | DESCRIPTION | DR | CK |
| TITLE 4000 SERIES SCALE SYSTEM (4850, 4990) | | | | | FILE NO | AAA-054-00010.idw | |

| | | |
|---|---|-----------------------------------|
| DR LMV | TOLERANCES (UNLESS SPECIFIED OTHERWISE) FRACTIONAL ± 1/16" DEC X.X ± 0.1" DEC X.XX ± 0.06" DEC X.XXX ± 0.031" ANGULAR ± 0.5° | JAY-LOR Fabricating Inc |
| DATE 4/15/2008 | | |
| MAT | | |
| CONFIDENTIAL: THESE DRAWINGS AND COPIES THEREOF REMAIN THE PROPERTY OF JAY-LOR FABRICATING INC. ANY PERSON FOUND UNLAWFULLY USING, DISTRIBUTING, OR IN POSSESSION OF THE ABOVE WILL BE PROSECUTED | | |

Parts List

| ITEM | PART NUMBER | TITLE | QTY |
|------|---------------|--|-----|
| 1 | AAB-018-00001 | LIGHT BAR TAIL RETRO AG WITH FLASHING AMBER , LTH, RTH STOP AND SIGNAL | 1 |
| 2 | AAB-018-00015 | 30 FT CABLE W/ 4 PRONG PLUGS | 1 |



| | | | | | | | | | | |
|-------|------|-------|---|-------|--------|----|------|-------------|----|----|
| UNITS | EACH | PAPER | A | SHEET | 1 OF 1 | R# | DATE | DESCRIPTION | DR | CK |
|-------|------|-------|---|-------|--------|----|------|-------------|----|----|

TITLE LIGHT BAR ASSY WITH 4 PIN HARNESS

FILE NO AAA-010-00016.idw

| | |
|-----|-----------|
| DR | LMV |
| DAT | 5/14/2007 |
| MAT | |

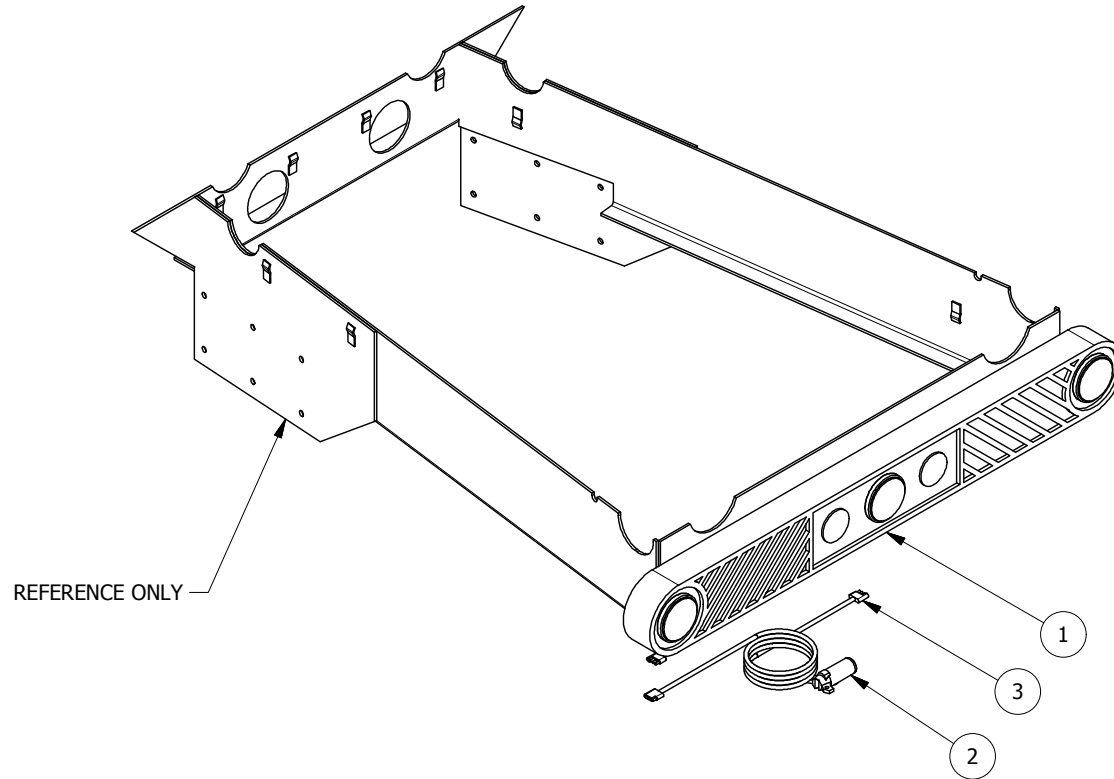
| | |
|---|----------|
| TOLERANCES (UNLESS SPECIFIED OTHERWISE) | |
| FRACTIONAL | ± 1/16" |
| DEC X.X | ± 0.1" |
| DEC X.XX | ± 0.06" |
| DEC X.XXX | ± 0.031" |
| ANGULAR | ± 0.5° |

JAY•LOR
Fabricating Inc

CONFIDENTIAL: THESE DRAWINGS AND COPIES THEREOF REMAIN THE PROPERTY OF JAY-LOR FABRICATING INC. ANY PERSON FOUND UNLAWFULLY USING, DISTRIBUTING, OR IN POSSESSION OF THE ABOVE WILL BE PROSECUTED

Parts List

| ITEM | PART NUMBER | TITLE | QTY |
|------|---------------|--|-----|
| 1 | AAB-018-00001 | LIGHT BAR TAIL RETRO AG WITH FLASHING AMBER , LTH, RTH STOP AND SIGNAL | 1 |
| 2 | AAB-018-00002 | PLUG ADPT RETRO 7-RND FOR LIGHT PACKAGES | 1 |
| 3 | AAB-018-00015 | 30 FT CABLE W/ 4 PRONG PLUGS | 1 |



REFERENCE ONLY

| | | | |
|---|-----------|---|-----------------------------------|
| DR | BCN | TOLERANCES (UNLESS SPECIFIED OTHERWISE) FRACTIONAL ± 1/16" DEC X.X ± 0.1" DEC X.XX ± 0.06" DEC X.XXX ± 0.031" ANGULAR ± 0.5° | JAY•LOR Fabricating Inc |
| DAT | 5/14/2007 | | |
| MAT | | | |
| CONFIDENTIAL: THESE DRAWINGS AND COPIES THEREOF REMAIN THE PROPERTY OF JAY-LOR FABRICATING INC. ANY PERSON FOUND UNLAWFULLY USING, DISTRIBUTING, OR IN POSSESSION OF THE ABOVE WILL BE PROSECUTED | | | |

| | | | | | | | | | | | | |
|-------|--|-------|---|-------|--------|----|--|------|--|-------------|---------|-------------------|
| UNITS | EACH | PAPER | A | SHEET | 1 OF 1 | R# | | DATE | | DESCRIPTION | DR | CK |
| TITLE | LIGHT BAR ASSY WITH 4 PIN HARNESS AND 7 PIN ADPT | | | | | | | | | | FILE NO | AAA-010-00015.idw |